

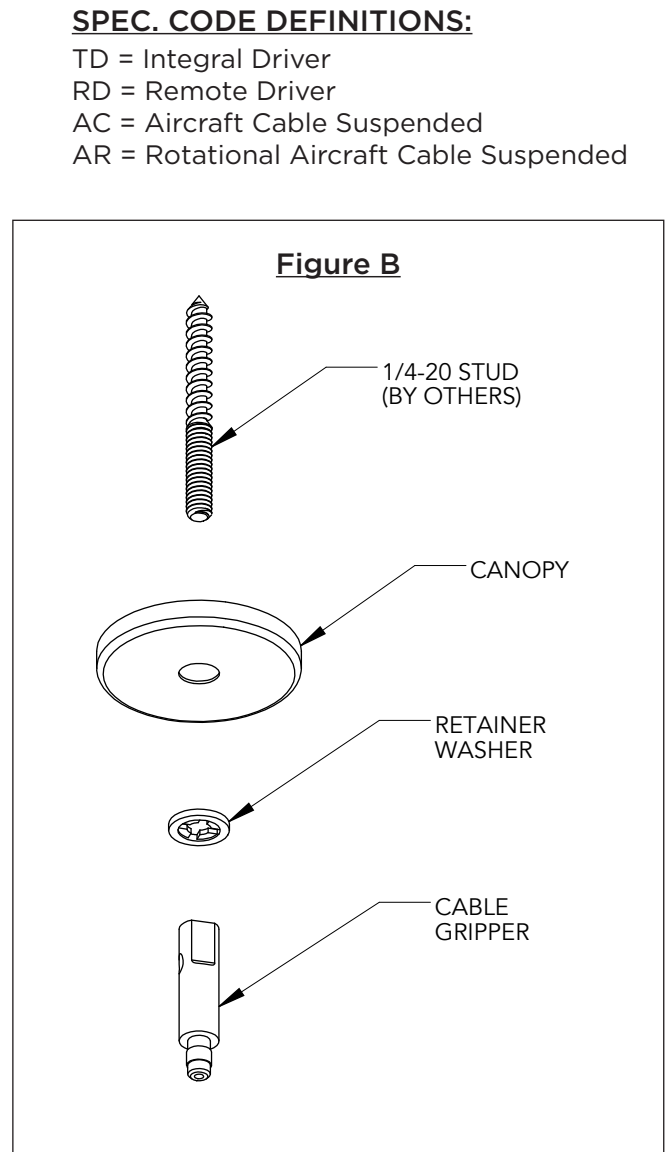
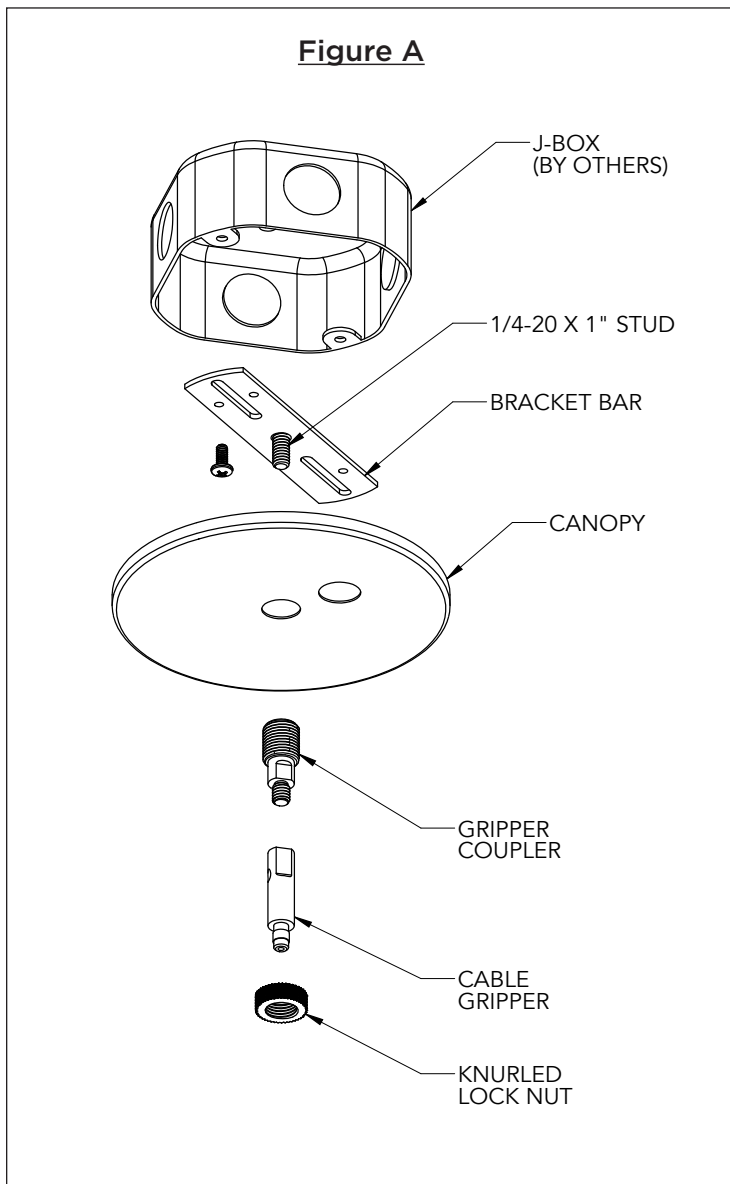
SUSPENDED REMOTE/INTEGRAL DRIVER

AIRCRAFT CABLE (AC) | AIRCRAFT CABLE ROTATIONAL (AR) MOUNTING

WARNING! RISK OF FIRE AND ELECTRICAL SHOCK. THIS PRODUCT MUST BE INSTALLED IN ACCORDANCE WITH THE NATIONAL ELECTRICAL CODE AND ALL LOCAL CODES BY A QUALIFIED ELECTRICIAN. DISCONNECT POWER AT ELECTRICAL PANEL BEFORE INSTALLING OR SERVICING.

All wiring must be in accordance with the National Electrical Code and all local codes. Grounding must be in accordance with NEC article 250. Plenum wiring between Class 2 remote driver and luminaire canopy must be minimum 18 AWG and must be in accordance with NEC article 725.

Reference appropriate Continuous Row Detail for Mounting Centers, AWM locations and fixture lengths for your fixture. These Continuous Row Detail pages, and relevant Wiring Diagrams can be found at www.extantlighting.com on each product page, for the appropriate mounting version, as well as these installation instructions.



SPEC. CODE DEFINITIONS:

- TD = Integral Driver
- RD = Remote Driver
- AC = Aircraft Cable Suspended
- AR = Rotational Aircraft Cable Suspended

CANOPY MOUNTING INSTRUCTIONS

C5 (TD & RD) - Install 4" octagonal J-Boxes (by others) at all mounting locations. Install 5" Canopies (Figure A) at all J-Boxes by first securing the Bracket Bar to the J-Box (by others). Secure 1/4-20 x 1" Stud to Bracket Bar. Next, secure Gripper Coupler to Bracket Bar Stud and Cable Gripper to the Gripper Coupler. Remove Knurled Lock Nut from the Gripper Coupler and slide Aircraft Cable through the Knurled Lock Nut, through the center hole of Canopy, into the Cable Gripper and level fixture to desired mounting height. Pull AWM cord through the off-centered hole of the Canopy and make the wire connections inside the J-Box. Slide the Canopy up to the Bracket Bar and secure with the Knurled Lock Nut. Secure the AWM cord to the Canopy with the provided Strain Relief. "As necessary, provided zip ties can be used to affix the AWM cord to the Aircraft Cable".

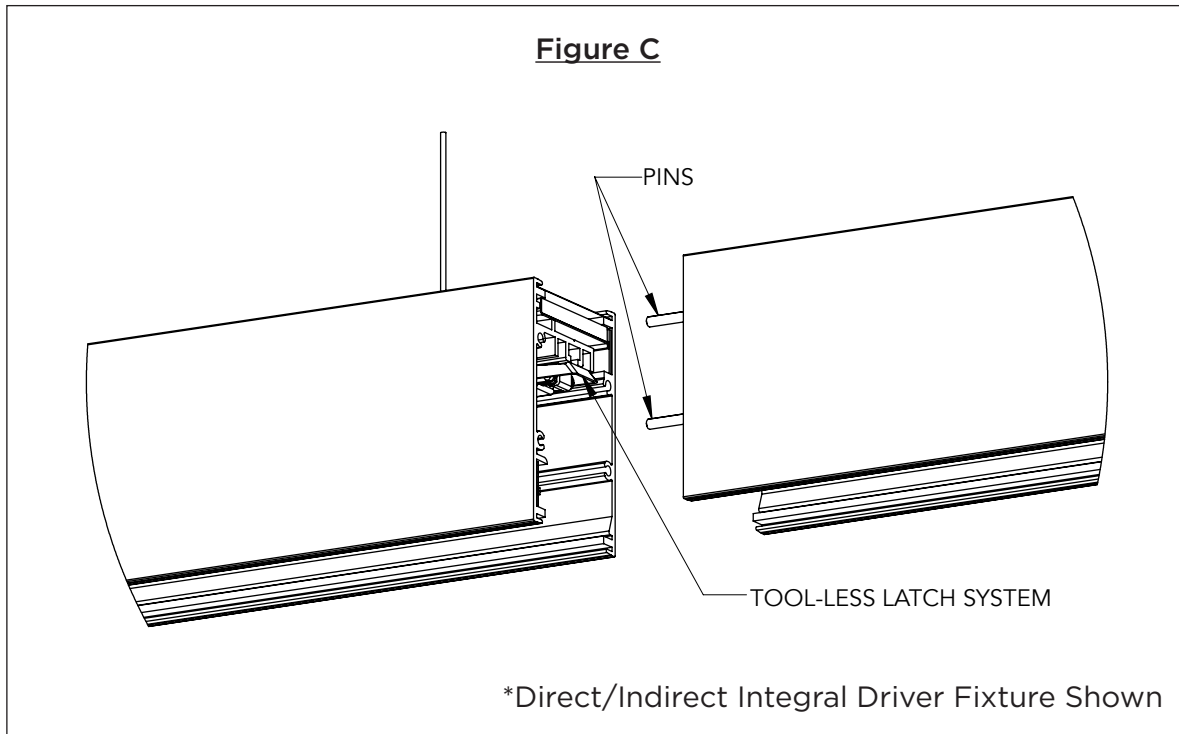
NC5_ (TD ONLY) - Install 4" octagonal J-Boxes (by others) at AWM Cord locations ONLY. Install 5" Canopies (Figure A) at all J-Boxes (by others) by first securing the Bracket Bar to the J-Box (by others). Secure 1/4-20 x 1" Stud to Bracket Bar. Next, secure Gripper Coupler to Bracket Bar Stud and Cable Gripper to the Gripper Coupler. Remove Knurled Lock Nut from the Gripper Coupler and slide Aircraft Cable through the Knurled Lock Nut and then through the center hole of Canopy, into the Cable Gripper and level fixture to desired mounting height. Pull AWM cord through the off-centered hole of the Canopy and make the wire connections inside the J-Box. Slide the Canopy up to Bracket Bar and secure with the Knurled Lock Nut. Secure the AWM cord to the Canopy with the provided Strain Relief. "As necessary, provided zip ties can be used to affix the AWM cord to the Aircraft Cable". For all other aircraft suspension points mount 1/4-20 Stud (by others) to structure. Install Cable Gripper to the 1/4-20 Stud. Slide Aircraft Cable into the Cable Gripper and level fixture to desired mounting height.

NC_ (TD & RD) - To install Aircraft Cable suspension points mount 1/4-20 Stud (by others) to structure. Thread on Cable Gripper to the 1/4-20 Stud. Slide Aircraft Cable into the Cable Gripper and level fixture to desired mounting height. Snap the provided 7/8" Bushing Reducer in J-Box (by others) or Remote Driver Box (RD version) 1/2" KO, slide the AWM cord through Bushing Reducer and into J-Box. Make up wire connections in the J-Box. Secure AWM cord with Strain Relief and snap into Bushing Reducer. "As necessary, provided zip ties can be used to affix the AWM cord to the Aircraft Cable".

C2_ (TD & RD) - Install 2" Canopies (Figure B) at all cable suspension points by installing 1/4-20 Stud (by others) to the structure. Slide Canopy over the 1/4-20 Stud then push provided Retainer Washer onto 1/4-20 Stud. Thread on Cable Gripper, slide Aircraft Cable into the Cable Gripper and level fixture to desired mounting height. Snap the provided 7/8" Bushing Reducer in J-Box (by others) or Remote Driver Box (RD version) 1/2" KO, slide the AWM cord through Bushing Reducer and into J-Box. Make up wire connections in the J-Box. Secure AWM cord with Strain Relief and snap into Bushing Reducer. "As necessary, provided zip ties can be used to affix the AWM cord to the Aircraft Cable".

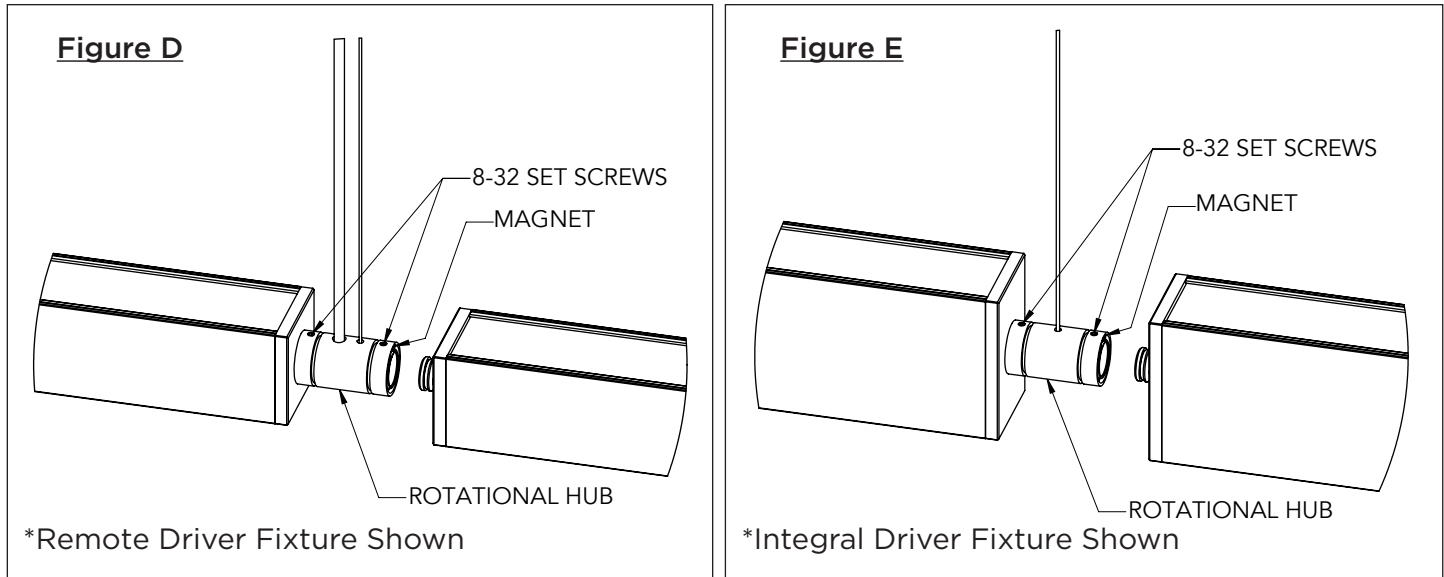
C25_ (TD ONLY) - Install 4" octagonal J-Boxes (by others) at AWM cord locations. Install 5" Canopies (Figure A) at all J-Boxes by first securing the Bracket Bar to the J-Box (by others). Secure 1/4-20 x 1" Stud to Bracket Bar. Next, secure Gripper Coupler to Bracket Bar Stud and Cable Gripper to the Gripper Coupler. Remove Knurled Lock Nut from the Gripper Coupler and slide Aircraft Cable through the Knurled Lock Nut, through the center hole of Canopy, into the Cable Gripper and level fixture to desired mounting height. Pull AWM cord through the off-centered hole of the Canopy and make the wire connections inside the J-Box. Slide the Canopy up to Bracket Bar and secure with the Knurled Lock Nut. Secure the AWM cord to the Canopy with the provided Strain Relief. "As necessary, provided zip ties can be used to affix the AWM cord to the Aircraft Cable". For all other suspension points, install 2" Canopies (Figure B) by installing 1/4-20 Stud (by others) to the structure. Slide Canopy over the 1/4-20 Stud then push provided Retainer Washer onto 1/4-20 Stud. Thread on Cable Gripper, slide Aircraft Cable into the Cable Gripper and level fixture to desired mounting height.





CONTINUOUS INSTRUCTIONS AC - AIRCRAFT CABLE

1. Begin installation with the Starter fixture by following the appropriate Canopy Mounting Instructions above.
2. Remove the Light Guide Plate/Reflector Assembly from the direct light side of the Starter, Middle, and End fixture. **Reference Light Guide Plate/Reflector Assembly Installation and Removal Instructions.
3. Attach the Middle/End fixtures' Aircraft Cable to Cable Gripper as described in the appropriate Canopy Mounting Instructions above. For Integral Driver (TD) through-wire the Starter fixture's wires to the connecting fixture.
4. Attach the Middle fixture to Starter by sliding the pins into their respective slots on the Starter fixture. Figure C.
5. Once the pins have aligned the two fixtures, use the Tool-Less Latch System to secure them together.
6. Make wire connections between fixtures for Integral Driver (TD) fixtures. For Remote Drivers (RD), route AWM up aircraft cable and attach to appropriate J-Box as described in the specified Canopy Mounting Instructions above.
7. Repeat steps 2-6 for all continuing Middle sections as well as for the End fixture.
8. Ensure the Light Guide Plate/Reflector Assembly is free of dirt, smudges and debris. If needed the acrylic portion can be cleaned with a solution of warm water and a small amount of dish soap (DO NOT USE GLASS CLEANER ON THE ACRYLIC LIGHT GUIDE PLATE). Install Light Guide Plate/Reflector Assembly. Ensure Light Guide Plate/Reflector Assembly joints are tight. If needed use the MEO Optic Tool (supplied) to insert between the End of the Light Guide Plate/Reflector Assembly in the last fixture and End Cap, giving a small pry to shift all Light Guide Plate/Reflector Assemblies for entire row, so they are tight. Install the MEO Optic.



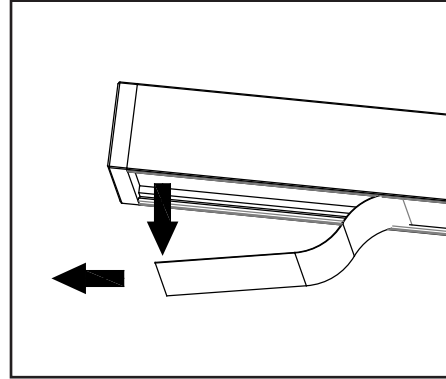
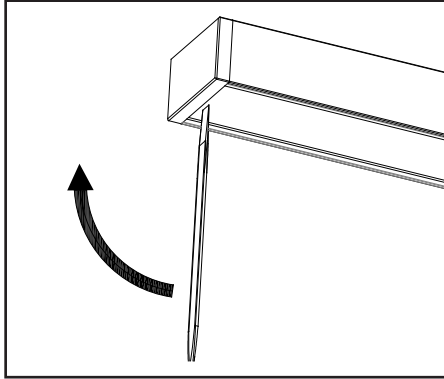
CONTINUOUS INSTRUCTIONS AR - AIRCRAFT CABLE ROTATIONAL (1" ROTATIONAL HUB)

1. Begin installation with the Starter fixture by following the appropriate Canopy Mounting Instruction above.
2. For Integral Driver (TD) remove the Light Guide Plate/Reflector Assembly and MEO Optic from the direct light side of the Middle/End fixture. **Reference Light Guide Plate/Reflector Assembly installation and removal instructions.
3. Attach the Middle/End fixture's Aircraft Cable to Cable Gripper as described in the appropriate Canopy Mounting Instructions above. For Integral Driver (TD) through-wire the Starter fixture's wires to the connecting fixture.
4. Loosen Set Screw first using a 5/64" Hex wrench, then slide the connecting fixture's extending Piston into the Rotational Hub as shown in Figure D & E (be careful not to dislodge magnet). When making the connection both fixtures direct light emitting side is facing the floor. Secure fixtures together by tightening the 8-32 Set Screws on both Hubs.
5. Make wire connections between fixtures for Integral Driver (TD). For Remote Drivers (RD), route AWM up aircraft cable and attach to appropriate J-Box as described in the specified Canopy Mounting Instructions above.
6. Rotate fixtures as desired, by unscrewing the 8-32 Set Screw one full rotation (Do Not unscrew Set Screw by more than one full rotation to avoid fixtures from pulling apart). After fixture is at desired rotation, re-tighten Set Screw.
7. Repeat steps 2-6 for all continuing Middle sections as well as for the End fixture.
8. Ensure the Light Guide Plate/Reflector Assembly is free of dirt, smudges and debris. If needed the acrylic portion can be cleaned with a solution of warm water and a small amount of dish soap (DO NOT USE GLASS CLEANER ON THE ACRYLIC LIGHT GUIDE PLATE). Install Light Guide Plate/Reflector Assembly. Ensure Light Guide Plate/Reflector Assembly joints are tight. If needed use the MEO Optic Tool (supplied) to insert between the End of the Light Guide Plate/Reflector Assembly in the last fixture and End Cap, giving a small pry to shift all Light Guide Plate/Reflector assemblies for entire row, so they are tight. Install the MEO Optic.

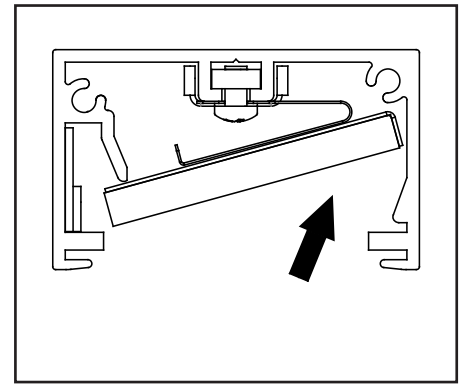
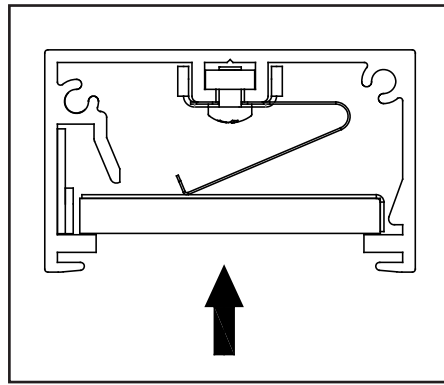
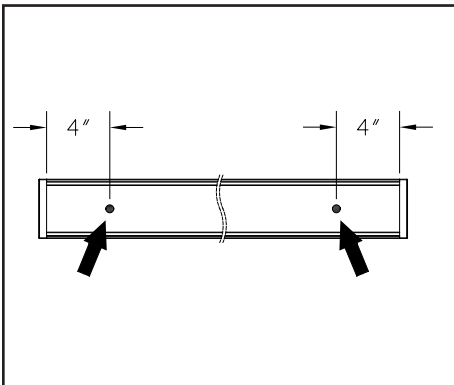
LGP INSTALLATION AND REMOVAL INSTRUCTIONS

For MEO Wall Wash go to Page 7

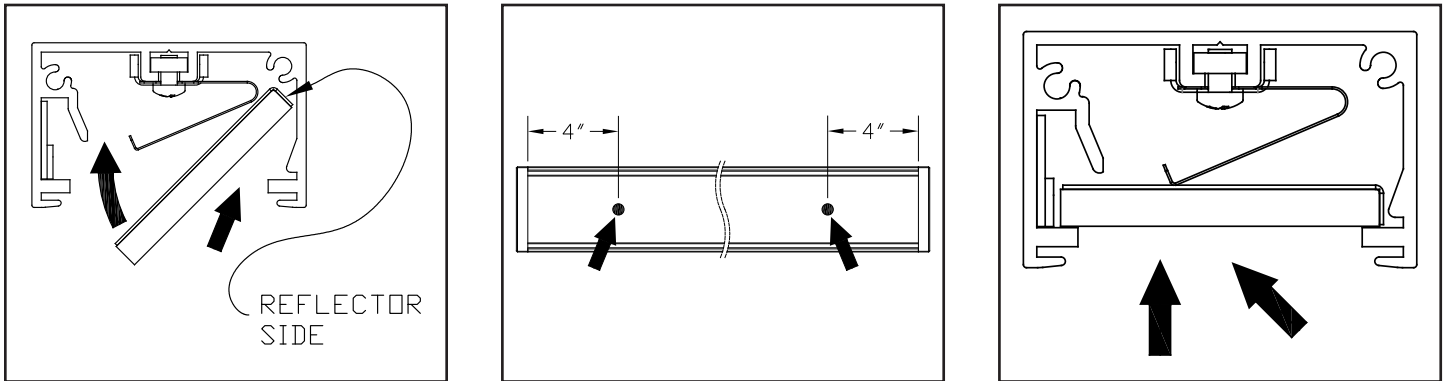
1. Diffuser removal. Insert included MEO Optic Tool between diffuser and endcap and gently pry the diffuser. Gently pull diffuser down and away.



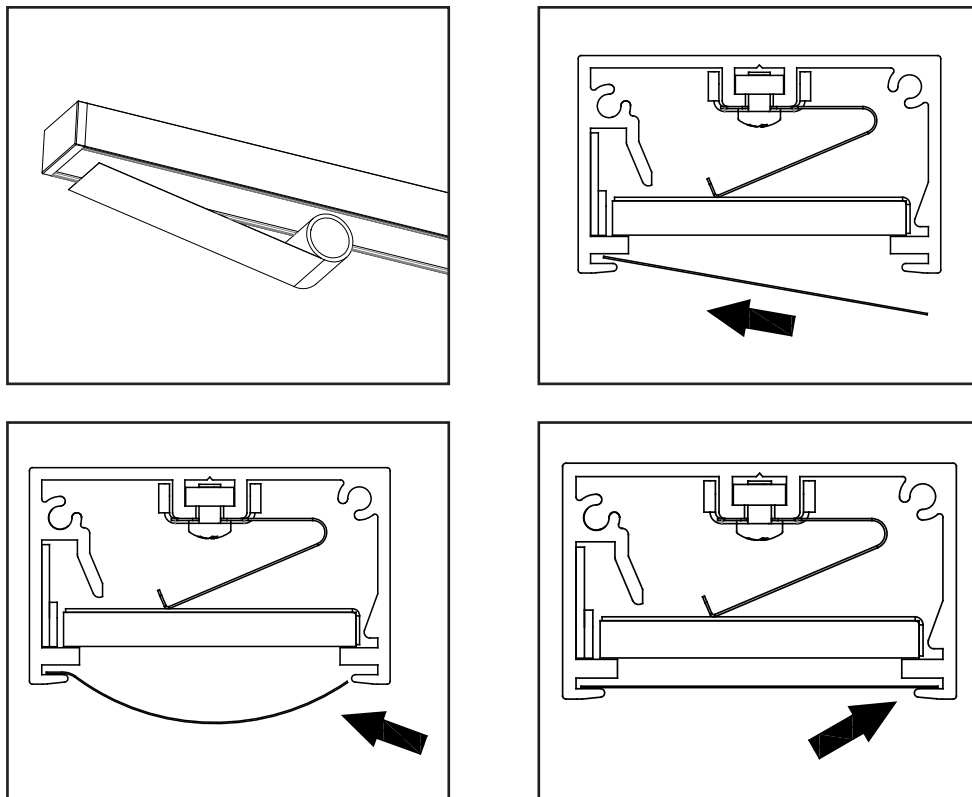
2. LGP (Light Guide Plate) removal. Utilizing the Extant Tool-Less Push & Eject System push on LGP approximately 4" from each end. You will notice the side closest to the led only moves a small distance. Continue pushing on the side opposite the LED until the LGP is released. You may have to push on the LGP several times to release it. Note: it helps to moisten fingertips slightly during this process.



3. LGP installation. Insert LGP with the reflector side opposite the LED at approximately 45 degrees. Push LGP approximately 4" from each end to compress Tool-Less Push to Eject System and push towards LED. Push LGP several times up and towards the LED to ensure it is seated properly. Note: it helps to moisten fingertips slightly during this process.

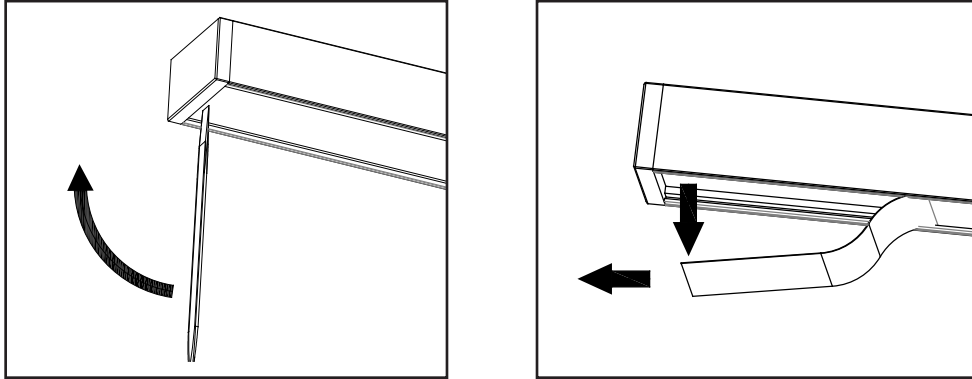


4. Diffuser installation. Start with diffuser rolled up. Unroll 9-12 inches and insert one side of diffuser into the channel of the extrusion. Squeeze diffuser causing it to curve outward and insert opposite side into channel. Slide fingers along diffuser to insert into channels as you unroll it. Continue this process until diffuser is fully installed. For long fixtures or runs tape the beginning of the diffuser to the end cap with a removable type tape such as blue painters tape.

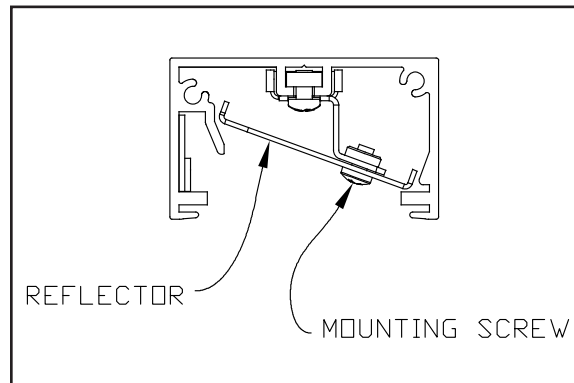


ASYMMETRIC REFLECTOR INSTALLATION AND REMOVAL INSTRUCTIONS

1. Diffuser removal. Insert included MEO Optic Tool between diffuser and endcap and gently pry the diffuser. Gently pull diffuser down and away.

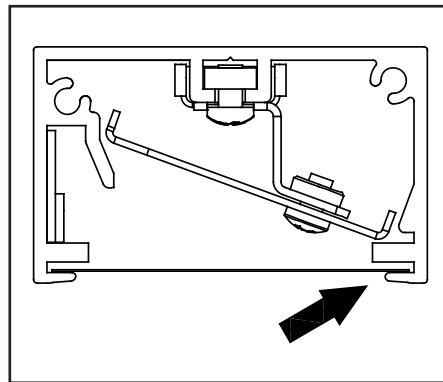
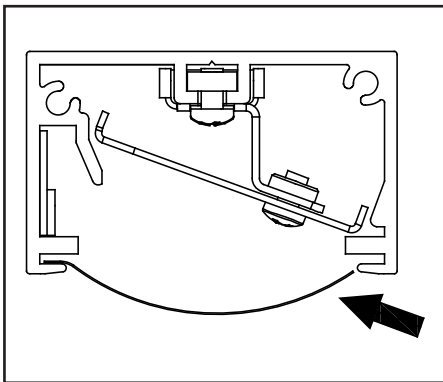
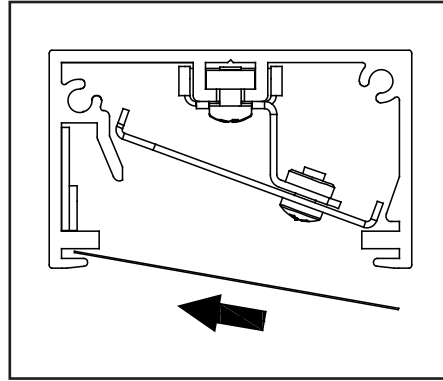
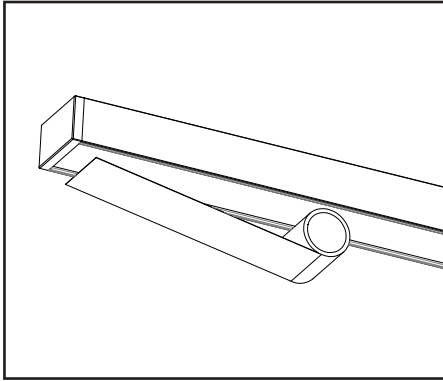


2. Reflector removal. Remove mounting screws and remove reflector.



3. Reflector installation. Place reflector on mounting brackets and install mounting screws.

- Diffuser installation. Start with diffuser rolled up. Unroll 9-12 inches and insert one side of diffuser into the channel of the extrusion. Squeeze diffuser causing it to curve outward and insert opposite side into channel. Slide fingers along diffuser to insert into channels as you unroll it. Continue this process until diffuser is fully installed. For long fixtures or runs tape the beginning of the diffuser to the end cap with a removable type tape such as blue painters tape.



* Due to our culture of always striving for product enhancement, specifications and information within this document are subject to change without notice. 2020 Extant Lighting, Inc. All rights reserved.