

SURFACE REMOTE/INTEGRAL DRIVER

SURFACE | REMOTE DRIVER (RD) OR INTEGRAL DRIVER (TD)

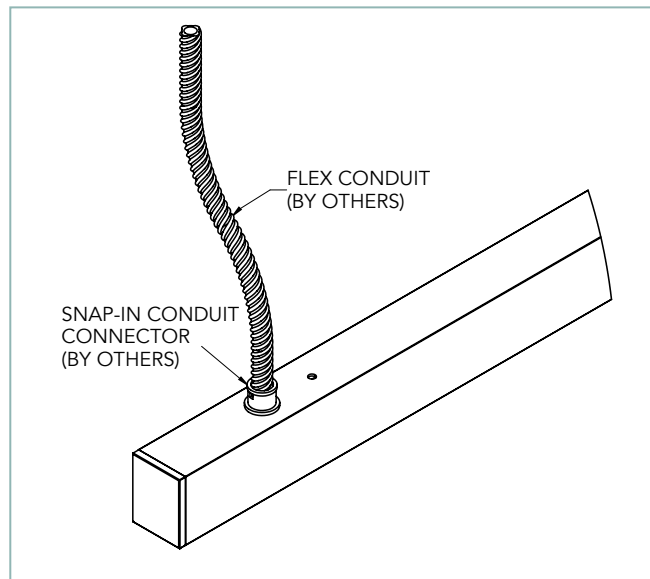
WARNING! RISK OF FIRE AND ELECTRICAL SHOCK. THIS PRODUCT MUST BE INSTALLED IN ACCORDANCE WITH THE NATIONAL ELECTRICAL CODE AND ALL LOCAL CODES BY A QUALIFIED ELECTRICIAN. DISCONNECT POWER AT ELECTRICAL PANEL BEFORE INSTALLING OR SERVICING.

All wiring must be in accordance with the National Electrical Code and all local codes. Grounding must be in accordance with NEC article 250.

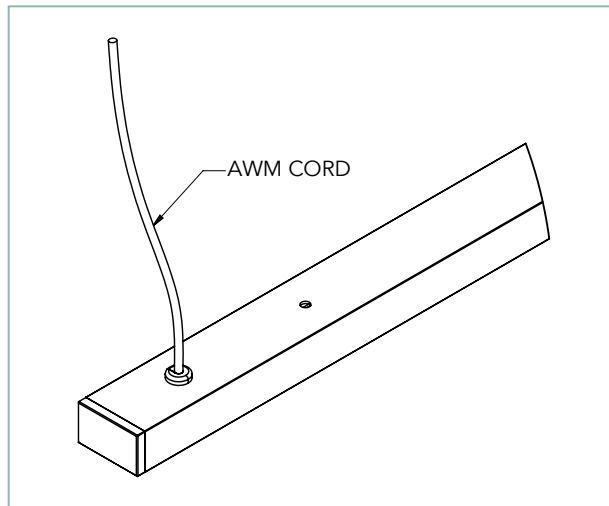
Reference appropriate Continuous Row Detail for Mounting Centers, AWM locations and fixture lengths for your fixture. These Continuous Row Detail pages, and relevant Wiring Diagrams can be found at extantlighting.com on each product page, for the appropriate mounting version, as well as these installation instructions.

FOR STAND ALONE OR STARTER OF CONTINUOUS ROW

1. Reference Continuous Row Detail for mounting centers and feed location.
2. Remove the Light Guide Plate/Reflector Assembly and set in a place where it will not be damaged. Reference Light Guide Plate Removal and Installation Instructions provided.
3. Installer to use #8 or #10 size screw (provided by others) suitable for mounting structure.
 - a. Remote Driver fixtures (**Driver Location** - spec. code **RD**), fastener heads need to be less than 3/4" diameter and less than 1/4" head height, including washers (provided by others).
4. Conduit or AWM to fixture:



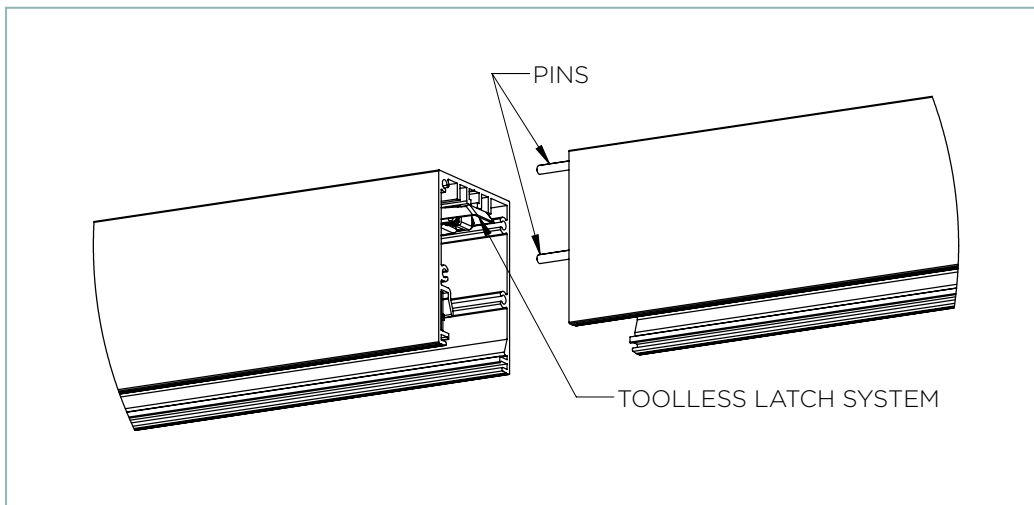
- a. Integral Driver fixtures (**Driver Location** - spec. code **TD**), bring flex conduit to the fixture's feed location as shown in the Continuous Row Detail. A "snap in" conduit connector for 1/2" KO is required such as Arlington Fittings Snap-Tite® or Bridgeport Snap In style among others (provided by others). Make up wires inside fixture per provided Wiring Diagram.



- b. Remote Driver fixtures (Driver Location - spec. code RD), install Remote Driver Box within reach of fixture's pre-wired AWM. Feed AWM through 7/8" hole drilled in mounting surface to Remote Driver Box and secure through one of Remote Driver Box 1/2" KO's using 7/8" Reducer Bushing and 1/2" Strain Relief. Bring line voltage and ground to Remote Driver Box and make up all wires inside Remote Driver Box per provided Wiring Diagram. Note: The pre-wired AWM is not rated for air handling spaces. Consult factory for more information.
- 5. Affix the fixture securely to the mounting surface.
- 6. Install Light Guide Plate/Reflector Plate Assembly. Wipe down the Light Guide Plate/Reflector Assembly if needed with a solution of warm water and a small amount of dish soap. (DO NOT USE GLASS CLEANER ON THE ACRYLIC LIGHT GUIDE PLATE). Ensure all Light Guide Plate/Reflector joints are tight. If needed, use the MEO Optic Tool (supplied) to insert between the end of the Light Guide Plate/Reflector Assembly and End Cap, giving a small pry to shift all Light Guide Plate/Reflector Assemblies, so they are tight. Install the MEO optic.

CONTINUOUS ROWS

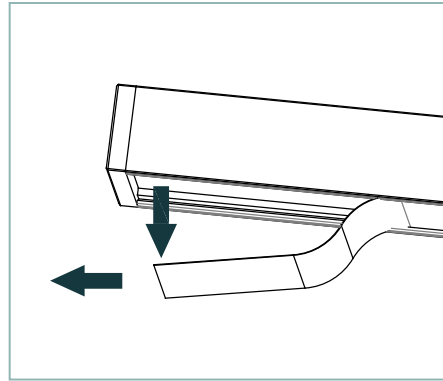
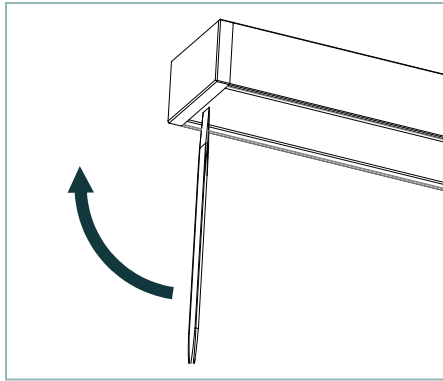
1. Begin installation with the Starter fixture using instructions 1-6 provided above.
2. Remove the Light Guide Plate/Reflector Assemblies. ****Reference Light Guide Plate/Reflector Assembly Removal and Installation Instructions.**
3. Attach the Middle fixture by sliding the Connector Pins into their respective slots on the Starter fixture.
4. Once the Connector Pins have connected the two fixtures use the Tool-Less Latch System to secure them together.
5. Make wire connections using the supplied Wiring Diagram.
 - a. For Integral Driver fixtures (Driver Location - spec. code TD) make through-wire connections between the fixtures and gently push wire connections back into the fixture.
 - b. For Remote Driver fixtures (Driver Location - spec. code RD), all fixtures segments will need to be wired to Remote Driver Box per 4(b) above.
6. Repeat steps 2-5 for all continuing Middle sections as well as for the End.
7. Install Light Guide Plate/Reflector Assemblies. Wipe down the Light Guide Plate/Reflector Assembly if needed with a solution of warm water and a small amount of dish soap. (DO NOT USE GLASS CLEANER ON THE ACRYLIC LIGHT GUIDE PLATE). Ensure all Light Guide Plate/Reflector Assembly joints are tight. If needed, use the MEO Optic Tool (supplied) to insert between the end of the Light Guide Plate/Reflector Assembly in the End fixture and End Cap, giving a small pry to shift all Light Guide Plate/Reflector Assemblies for entire row, so they are tight. Install the MEO optic.



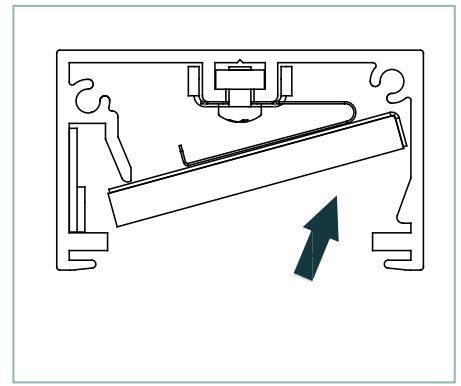
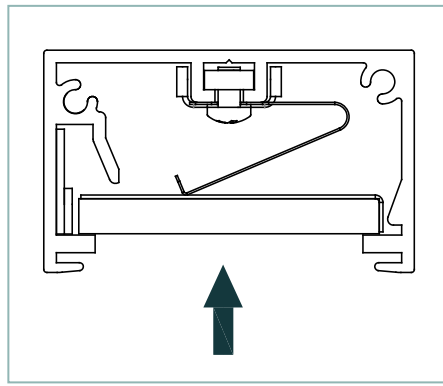
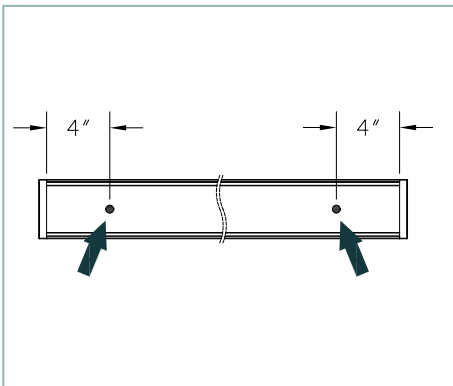
LGP INSTALLATION AND REMOVAL INSTRUCTIONS

FOR MEO WALL WASH GO TO PAGE 6

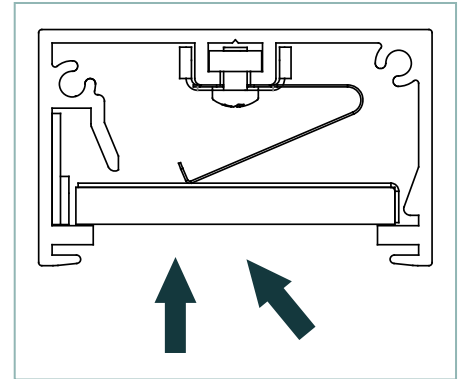
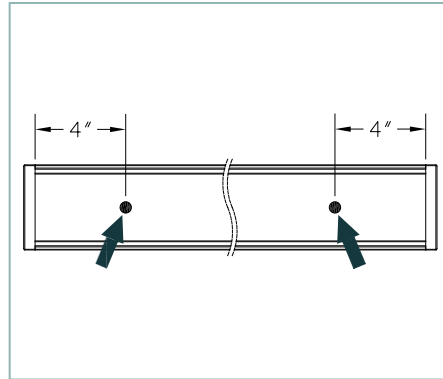
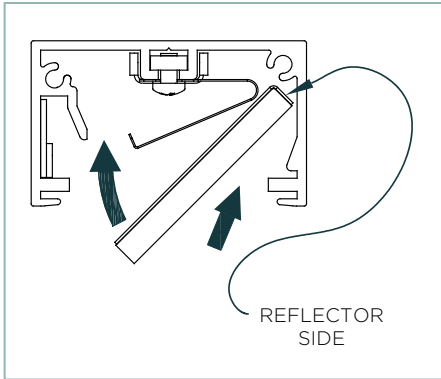
1. Diffuser removal. Insert included MEO Optic Tool between diffuser and endcap and gently pry the diffuser. Gently pull diffuser down and away.



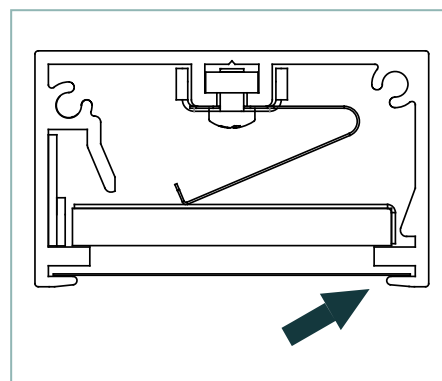
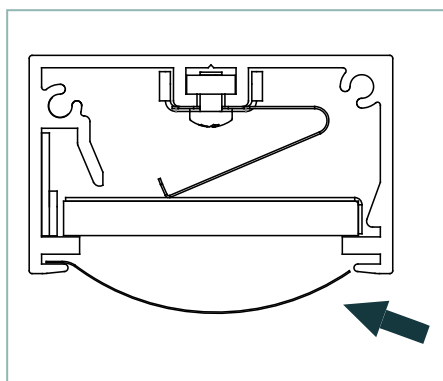
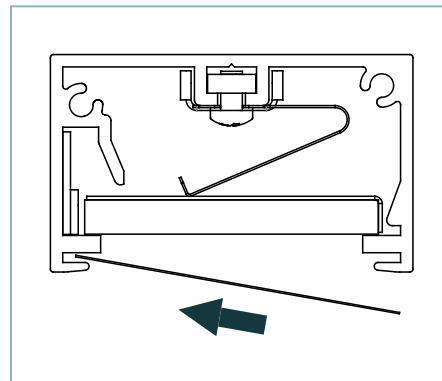
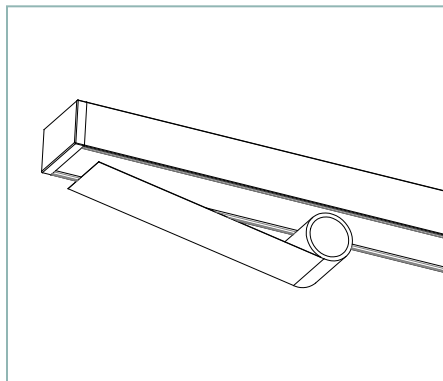
2. LGP (Light Guide Plate) removal. Utilizing the Extant Tool-Less Push & Eject System push on LGP approximately 4" from each end. You will notice the side closest to the led only moves a small distance. Continue pushing on the side opposite the LED until the LGP is released. You may have to push on the LGP several times to release it. Note: it helps to moisten fingertips slightly during this process.



3. LGP installation. Insert LGP with the reflector side opposite the LED at approximately 45 degrees. Push LGP approximately 4" from each end to compress Tool-Less Push to Eject System and push towards LED. Push LGP several times up and towards the LED to ensure it is seated properly. Note: it helps to moisten fingertips slightly during this process.

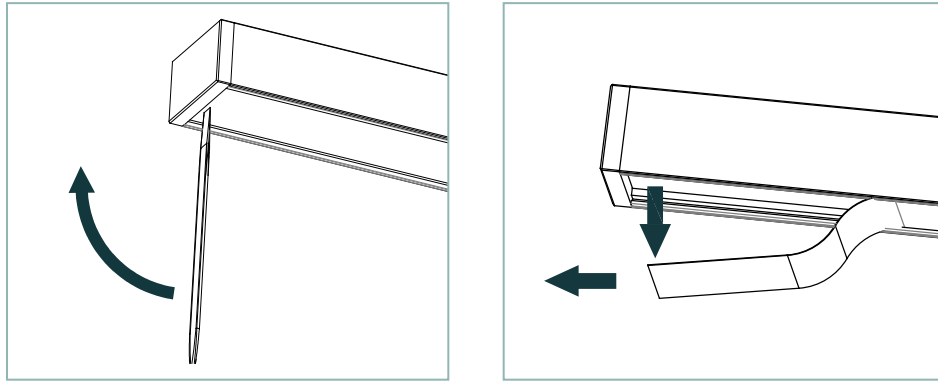


4. Diffuser installation. Start with diffuser rolled up. Unroll 9-12 inches and insert one side of diffuser into the channel of the extrusion. Squeeze diffuser causing it to curve outward and insert opposite side into channel. Slide fingers along diffuser to insert into channels as you unroll it. Continue this process until diffuser is fully installed. For long fixtures or runs tape the beginning of the diffuser to the end cap with a removable type tape such as blue painters tape.

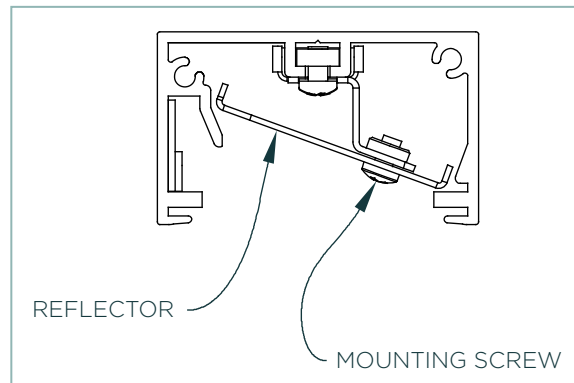


ASYMMETRIC REFLECTOR INSTALLATION AND REMOVAL INSTRUCTIONS

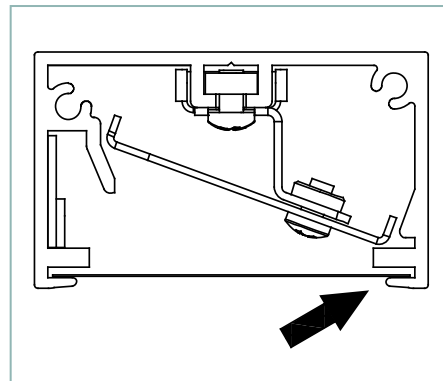
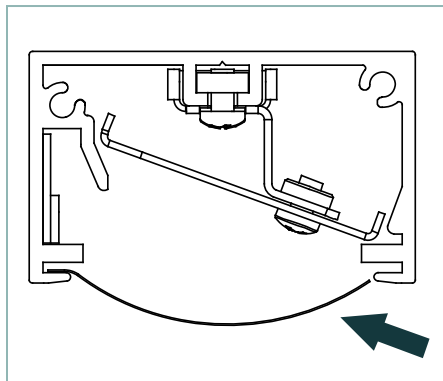
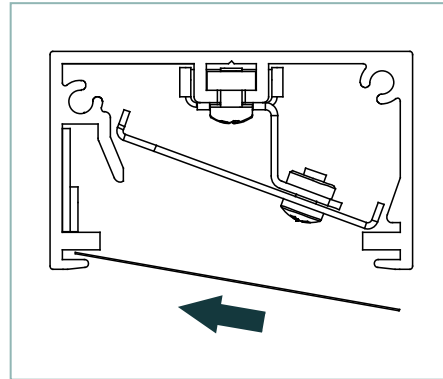
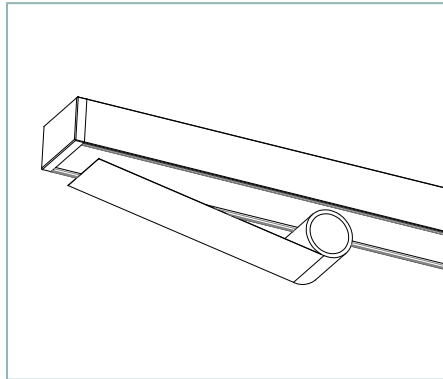
1. Diffuser removal. Insert included MEO Optic Tool between diffuser and endcap and gently pry the diffuser. Gently pull diffuser down and away.



2. Reflector removal. Remove mounting screws and remove reflector.



3. Reflector installation. Place reflector on mounting brackets and install mounting screws.
4. Diffuser installation. Start with diffuser rolled up. Unroll 9-12 inches and insert one side of diffuser into the channel of the extrusion. Squeeze diffuser causing it to curve outward and insert opposite side into channel. Slide fingers along diffuser to insert into channels as you unroll it. Continue this process until diffuser is fully installed. For long fixtures or runs tape the beginning of the diffuser to the end cap with a removable type tape such as blue painters tape.



* Due to our culture of always striving for product enhancement, specifications and information within this document are subject to change without notice. 2020 Extant Lighting, Inc. All rights reserved.

