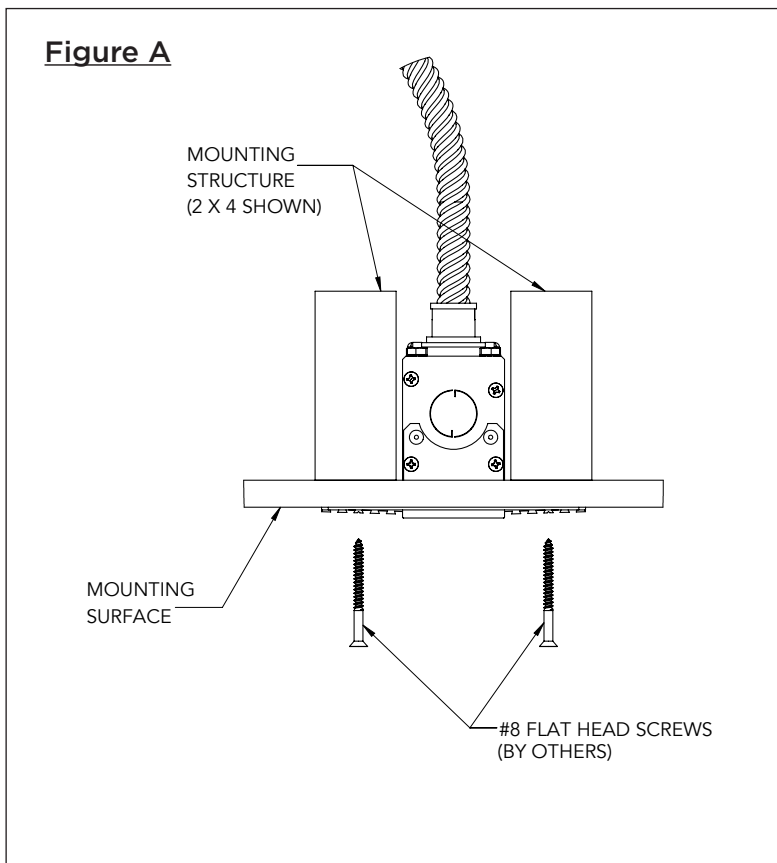


RECESSED INTEGRAL DRIVER
 RECESSED | SPACKLE FLANGE (SF)

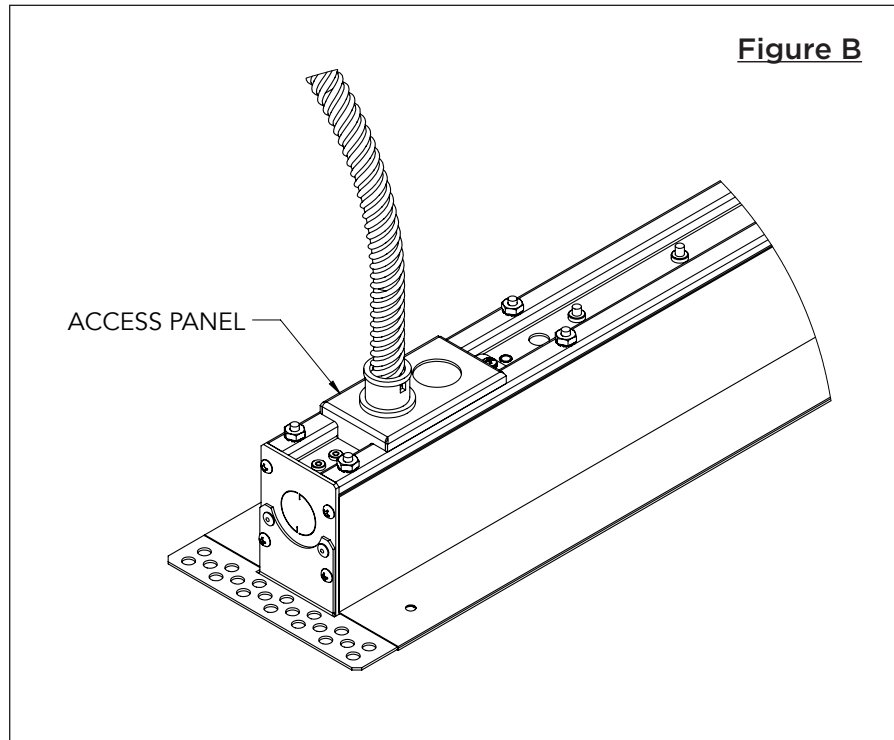
WARNING! RISK OF FIRE AND ELECTRICAL SHOCK. THIS PRODUCT MUST BE INSTALLED IN ACCORDANCE WITH THE NATIONAL ELECTRICAL CODE AND ALL LOCAL CODES BY A QUALIFIED ELECTRICIAN. DISCONNECT POWER AT ELECTRICAL PANEL BEFORE INSTALLING OR SERVICING.

All wiring must be in accordance with the National Electrical Code and all local codes. Grounding must be in accordance with NEC article 250.

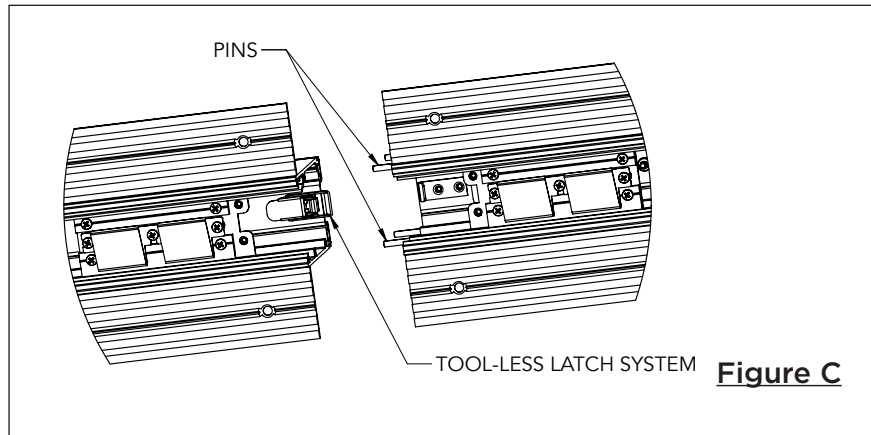
Reference appropriate Continuous Row Detail for Mounting Centers, AWM locations and fixture lengths for your fixture. These Continuous Row Detail pages, and relevant Wiring Diagrams can be found at www.extantlighting.com on each product page, for the appropriate mounting version, as well as these installation instructions.



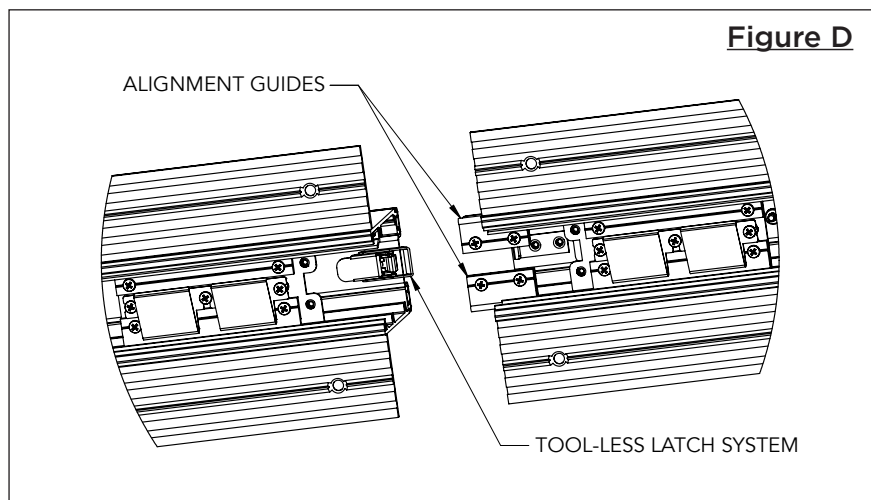
1. Make rough-in cutout in surface for the fixture and add mounting structure on each side of opening (Figure A). Refer to the Continuous Row Detail for rough-in width and length.



2. Remove feed wire Access Panel (Figure B) from back of Stand-Alone or Starter fixture, pull out feed wires through opening, connect conduit fitting (conduit and fittings by others) via provided 1/2" KO on back of Access Panel and make up feed connections following provided Wiring Diagram. Gently push wire connections back into luminaire and re-attach Access Panel.
 - For Stand-Alone fixtures continue to step 3. For Continuous Rows skip to step 4.
3. Insert fixture into opening and secure to mounting structure via pre-drilled counter-sunk holes using #8 flat head screws (by others) suitable for mounting structure. Ensure that the screws are installed straight in order to sit flush with Mud-over Flange. Warning: if screws are not in straight, fixture opening can be affected, not allowing Light Guide Plate/Reflector Assembly or MEO Optic to fit properly. Note: Keep Protective Cardboard in place to keep the internals clean while mudding over the fixture. Skip to step 11.
4. For Continuous Rows, remove Protective Cardboard and all Light Guide Plate/Reflector Assemblies (see Light Guide Plate/Reflector Assembly Removal and Installation Instructions). Be sure not to damage the Protective Cardboard, as you will re-install it to protect the LED boards when mudding over the Mud Flanges.
5. Insert Starter fixture into opening and install #8 flat head screws (by others) suitable for mounting structure but do not completely tighten. Ensure the screws are installed straight in order to sit flush with Mud-over Flange. Warning: if screws are not in straight, fixture opening can be affected, not allowing Light Guide Plate/Reflector Assembly or MEO Optic to fit properly.



6. Insert Middle fixture(s) into opening and attach by sliding the Connector Pins into their respective slots and securing with Tool-Less Latch System (Figure C). Install #8 flat head screws (by others) suitable for mounting structure but do not completely tighten. Ensure the screws are installed straight in order to sit flush with Mud-over Flange. Make thru-wire connections between fixtures.



7. Insert End fixture into opening. Loosen Alignment Guides and slide them halfway between Middle and End fixture. Secure with Tool-Less Latch System (Figure D). Install #8 flat head screws (by others) suitable for mounting structure but do not completely tighten. Ensure the screws are installed straight in order to sit flush with Mud-over Flange. Tighten Alignment Guides. Make thru-wire connections between fixtures.
8. Tighten all #8 flat head screws.
9. Install Light Guide Plate/Reflector Assemblies (see Light Guide Plate/Reflector Assembly Removal and Installation Instructions).
10. Install Protective Cardboard.
11. Mud, sand, texture and paint the finished edges.
12. Remove Protective Cardboard ensuring there is no mud, debris, dust or paint build up in the MEO Optic channel.

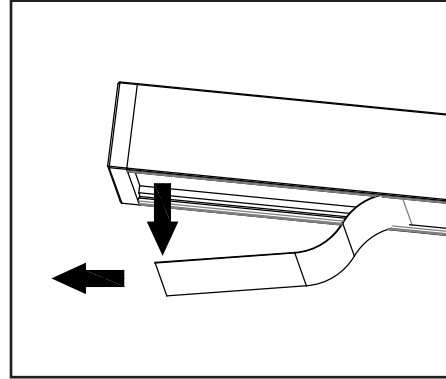
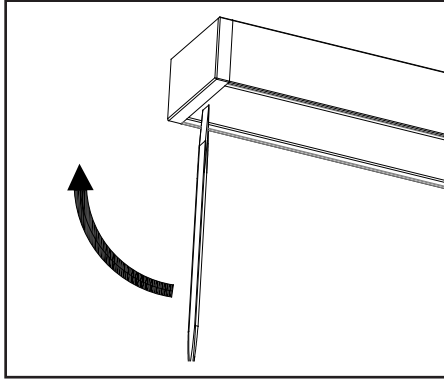
13. Ensure the Light Guide Plate/Reflector Assemblies are free of dirt, smudges and debris. If needed, the acrylic portion can be cleaned with a solution of warm water and a small amount of dish soap. (DO NOT USE GLASS CLEANER ON THE ACRYLIC LIGHT GUIDE PLATE).
14. Install Light Guide Plate/Reflector Assemblies (see Light Guide Plate/Reflector Removal and Installation Instructions, which can also be found at www.extantlighting.com). Ensure Light Guide Plate/Reflector Assembly joints are tight. If needed, use the MEO Optic Tool (supplied) to insert between the end of the Light Guide Plate/Reflector Assembly in the End fixture and End Cap, giving a small pry to shift all Light Guide Plate/Reflector Assemblies for entire row, so they are tight. Install the MEO Optic.



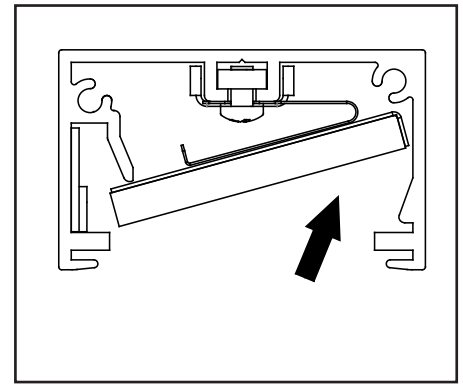
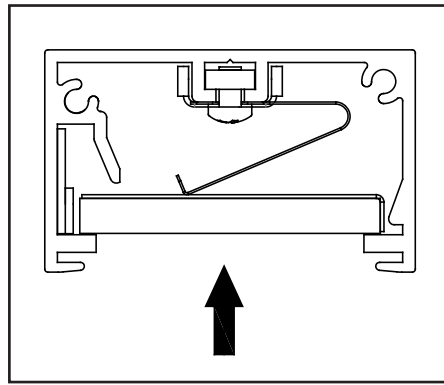
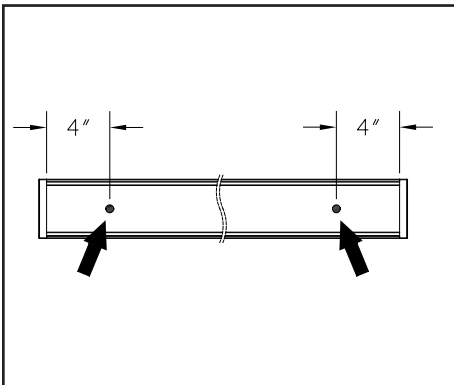
LGP INSTALLATION AND REMOVAL INSTRUCTIONS

For MEO Wall Wash go to Page 7

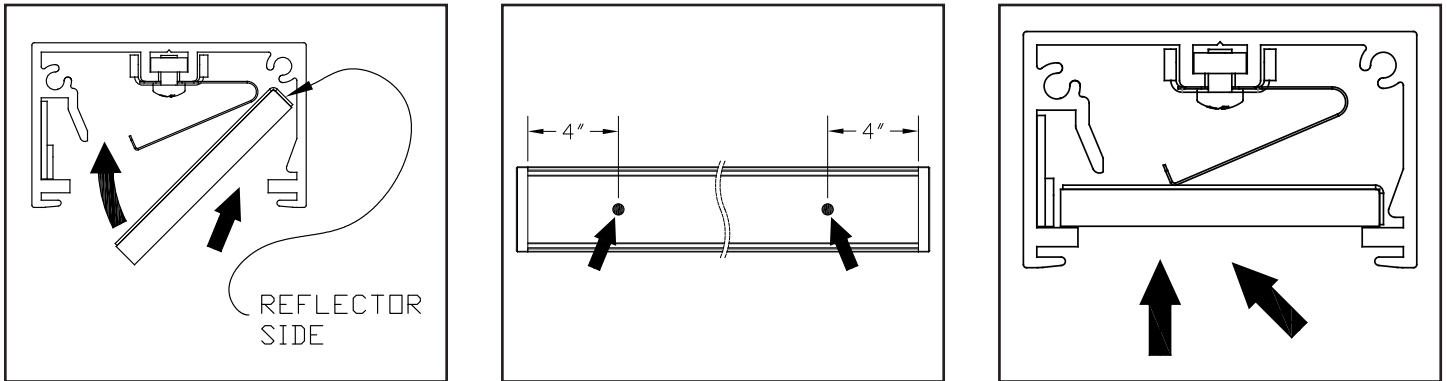
1. Diffuser removal. Insert included MEO Optic Tool between diffuser and endcap and gently pry the diffuser. Gently pull diffuser down and away.



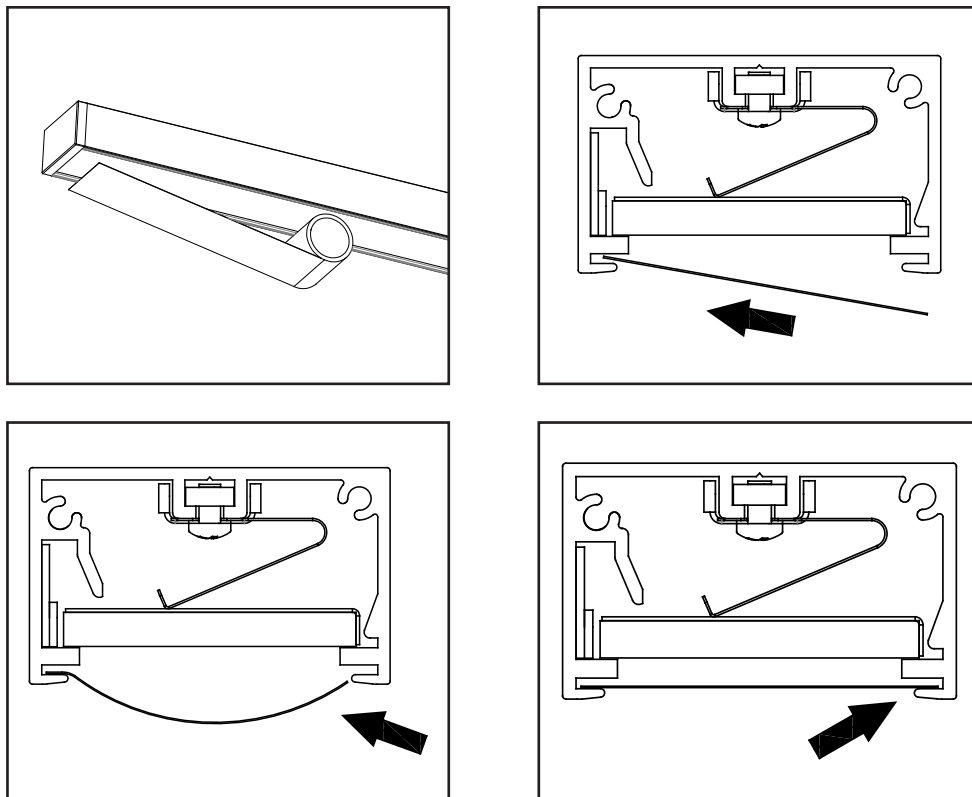
2. LGP (Light Guide Plate) removal. Utilizing the Extant Tool-Less Push & Eject System push on LGP approximately 4" from each end. You will notice the side closest to the led only moves a small distance. Continue pushing on the side opposite the LED until the LGP is released. You may have to push on the LGP several times to release it. Note: it helps to moisten fingertips slightly during this process.



3. LGP installation. Insert LGP with the reflector side opposite the LED at approximately 45 degrees. Push LGP approximately 4" from each end to compress Tool-Less Push to Eject System and push towards LED. Push LGP several times up and towards the LED to ensure it is seated properly. Note: it helps to moisten fingertips slightly during this process.

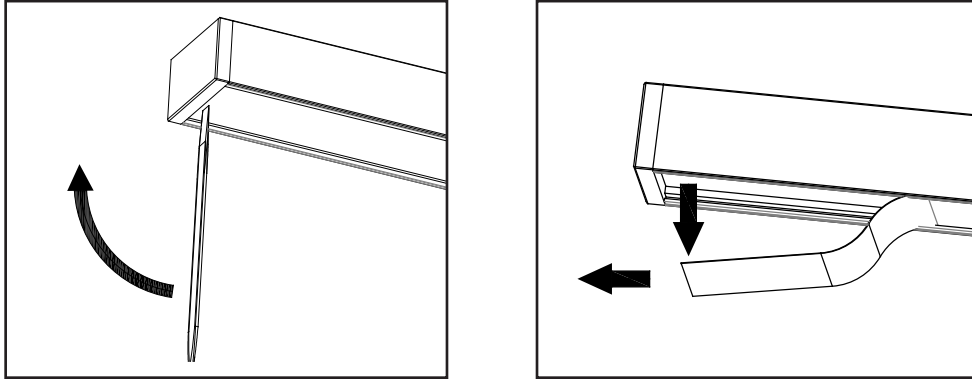


4. Diffuser installation. Start with diffuser rolled up. Unroll 9-12 inches and insert one side of diffuser into the channel of the extrusion. Squeeze diffuser causing it to curve outward and insert opposite side into channel. Slide fingers along diffuser to insert into channels as you unroll it. Continue this process until diffuser is fully installed. For long fixtures or runs tape the beginning of the diffuser to the end cap with a removable type tape such as blue painters tape.

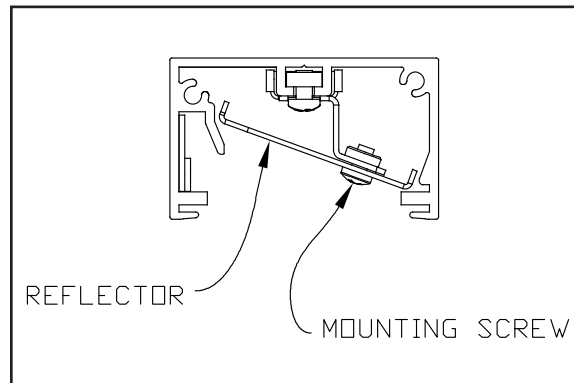


ASYMMETRIC REFLECTOR INSTALLATION AND REMOVAL INSTRUCTIONS

1. Diffuser removal. Insert included MEO Optic Tool between diffuser and endcap and gently pry the diffuser. Gently pull diffuser down and away.



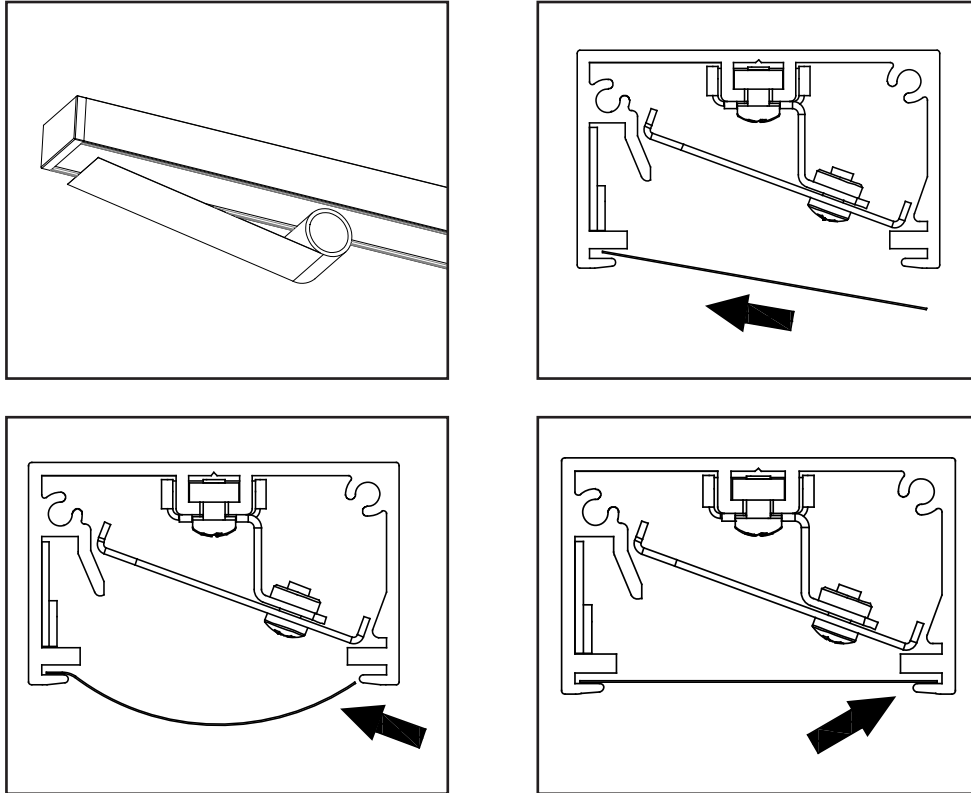
2. Reflector removal. Remove mounting screws and remove reflector.



3. Reflector installation. Place reflector on mounting brackets and install mounting screws.



- Diffuser installation. Start with diffuser rolled up. Unroll 9-12 inches and insert one side of diffuser into the channel of the extrusion. Squeeze diffuser causing it to curve outward and insert opposite side into channel. Slide fingers along diffuser to insert into channels as you unroll it. Continue this process until diffuser is fully installed. For long fixtures or runs tape the beginning of the diffuser to the end cap with a removable type tape such as blue painters tape.



* Due to our culture of always striving for product enhancement, specifications and information within this document are subject to change without notice. 2020 Extant Lighting, Inc. All rights reserved.