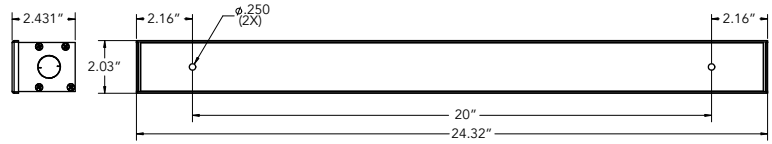


Decorative Driver

SINGLE DRIVER BOX

For driver input watts see SLO Configurator of Specified Fixture for input (aka "consumed") wattage

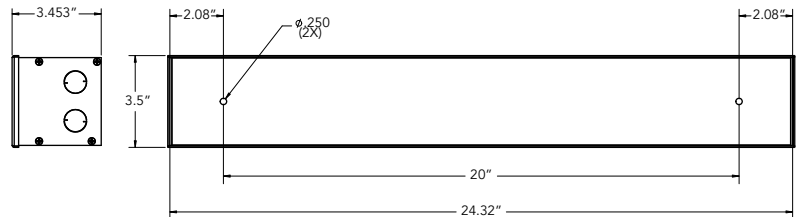
- Houses 1 remote LED Driver
- DL2 driver option up to 45 input watts
- D, DN, DD1 driver options up to 90 input watts
- DL5, DL1, DE and DDE driver options up to 80 input watts
- Available in SA Silver Anodized, WP Matte White, BP Matte Black and CC Custom Color finishes.
- Remote Driver distance cannot exceed 32' for D, DN, and DD1 driver options, 10' for DL5, DL1 and DL2 driver options and 46' for DE and DDE driver options.
- Compatible for single circuit Direct/Indirect fixture only if Uplight and Downlight Outputs specifications are identical and total luminaire wattage does not exceed values above.
- Suspended fixtures have AWM feeds factory prewired, 6" longer than aircraft cable specification and remote driver Surface Mount fixtures have 10' AWM leads out of fixture.



DUAL DRIVER BOX

For driver input watts see SLO Configurator of Specified Fixture for input (aka "consumed") wattage

- Houses 2 remote LED Drivers or 1 LED Driver and one EM Battery Pack. Can also house 1 LED Driver and GTD or other UL Listed linear form factor devices. Consult factory for more information.
- EM test switch installed on side of driver box for EM versions.
- Available in SA Silver Anodized, WP Matte White, BP Matte Black and CC Custom Color finishes.
- D, DN, DD1 driver options up to 180 input watts. Each of the 2 drivers cannot exceed 90 input watts individually
- DL5, DL1, DE and DDE driver options up to 160 input watts. Each of the 2 drivers cannot exceed 80 input watts individually.
- DL2 driver option up to 90 input watts. Each of the 2 drivers cannot exceed 45 input watts individually.
- Remote Driver distance cannot exceed 32' for D, DN, and DD1 driver options, 10' for DL5, DL1 and DL2 driver options and 46' for DE and DDE driver options or ½ these listed dimensions if the driver is paired with EM Battery Pack.
- Dual Driver box needed for Direct/Indirect fixtures with different light levels selected for Uplight and Downlight sides, certain higher wattage specifications or 2C 2 Circuit specifications with independent control for Uplight and Downlight Outputs.

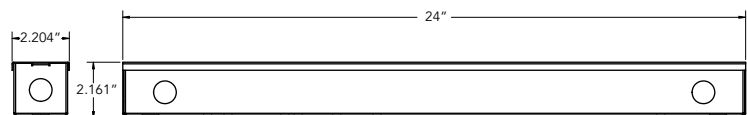


Remote Driver

SINGLE DRIVER BOX

For driver input watts see SLO Configurator of Specified Fixture for input (aka "consumed") wattage

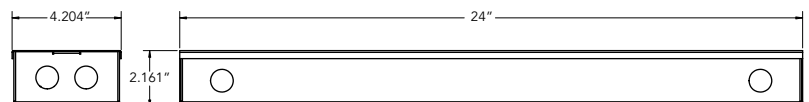
- Houses 1 remote LED Driver
- Finish is raw galvanized steel
- D, DN, DD1 driver options up to 90 input watts
- DL5, DL1, DE and DDE driver options up to 80 input watts
- DL2 driver option up to 45 input watts.
- Remote Driver distance cannot exceed 32' for D, DN, and DD1 driver options, 10' for DL5, DL1 and DL2 driver options and 46' for DE and DDE driver options.
- Compatible for single circuit Direct/Indirect fixture only if Uplight and Downlight Outputs specifications are identical and total luminaire wattage does not exceed values above.
- Suspended fixtures have AWM feeds factory prewired, 6" longer than aircraft cable specification and remote driver Surface Mount fixtures have 10' AWM leads out of fixture.



DUAL DRIVER BOX

For driver input watts see SLO Configurator of Specified Fixture for input (aka "consumed") wattage

- Finish is raw galvanized steel
- EM test switch installed on lid of driver box for EM versions.
- Houses 2 remote LED Drivers or 1 LED Driver and one EM Battery Pack. Can also house 1 LED Driver and GTD or other UL Listed linear form factor devices. Consult factory for more information.
- D, DN, DD1 driver options up to 180 input watts. Each of the 2 drivers cannot exceed 90 input watts individually
- DL2 driver option up to 90 input watts. Each of the 2 drivers cannot exceed 45 individually.
- DL5, DL1, DE and DDE driver options up to 160 input watts. Each of the 2 drivers cannot exceed 80 input watts individually.
- Remote Driver distance cannot exceed 32' for D, DN, and DD1 driver options, 10' for DL5, DL1 and DL2 driver options and 46' for DE and DDE driver options or ½ these listed dimensions if the driver is paired with EM Battery Pack.
- Dual Driver box needed for Direct/Indirect fixtures with different light levels selected for Uplight and Downlight sides, certain higher wattage specifications or 2C 2 Circuit specifications with independent control for Uplight and Downlight Outputs.

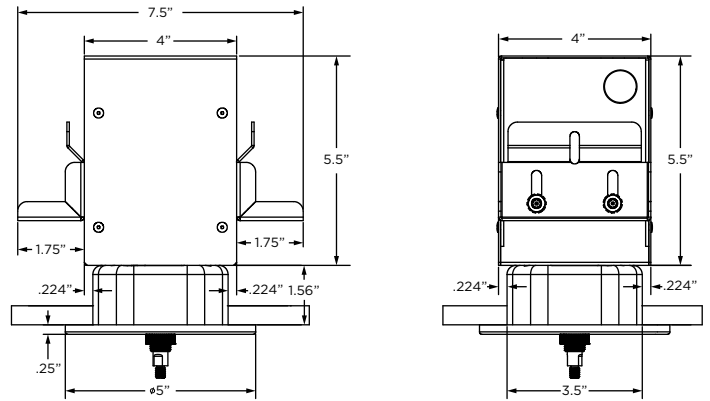


In-Canopy Driver

SINGLE DRIVER BOX

For driver input watts see SLO Configurator of Specified Fixture for input (aka "consumed") wattage

- Houses 1 In-Canopy LED Driver
- D & DN driver options up to 60 input watts (45 input watts max. for 347V D or DN options).
- Not available with DD1 option
- DE and DDE driver options up to 55 input watts
- DL5, DL1, and DL2 driver option up to 45 input watts.
- Finish is raw galvanized steel and box is IC rated.
- Compatible for single circuit Direct/Indirect fixture only if Uplight and Downlight Outputs specifications are identical and total luminaire wattage does not exceed values above.



DUAL DRIVER BOX

For driver input watts see SLO Configurator of Specified Fixture for input (aka "consumed") wattage

- EM test switch installed on Canopy for EM versions.
- Finish is raw galvanized steel and box is IC rated.
- Houses 2 LED Drivers or 1 LED Driver and one EM Battery Pack. Can also house 1 LED Driver and GTD or other UL Listed linear form factor devices. Consult factory for more information.
- D, DN, DD1 driver options up to 180 input watts. Each of the 2 drivers cannot exceed 90 input watts individually
- DL5, DL1, DE and DDE driver options up to 160 input watts. Each of the 2 drivers cannot exceed 80 input watts individually.
- DL2 driver option up to 90 input watts. Each of the 2 drivers cannot exceed 45 input watts individually.
- Uses 5"x8" rectangular canopy. Specified Canopy Shape/Finish and Canopy Mounting from fixture specification will be used for any non-driver drops and finish of 5"x8" canopy.
- Dual Driver box needed for Direct/Indirect fixtures with different light levels selected for Uplight and Downlight sides, certain higher wattage specifications or 2C 2 Circuit specifications with independent control for Uplight and Downlight Outputs.
- For applications with LED Driver and EM Battery pack, 34Watts max with LED Driver/EM combinations. For applications with (2) LED Drivers, 64Watts max. per LED Driver.

