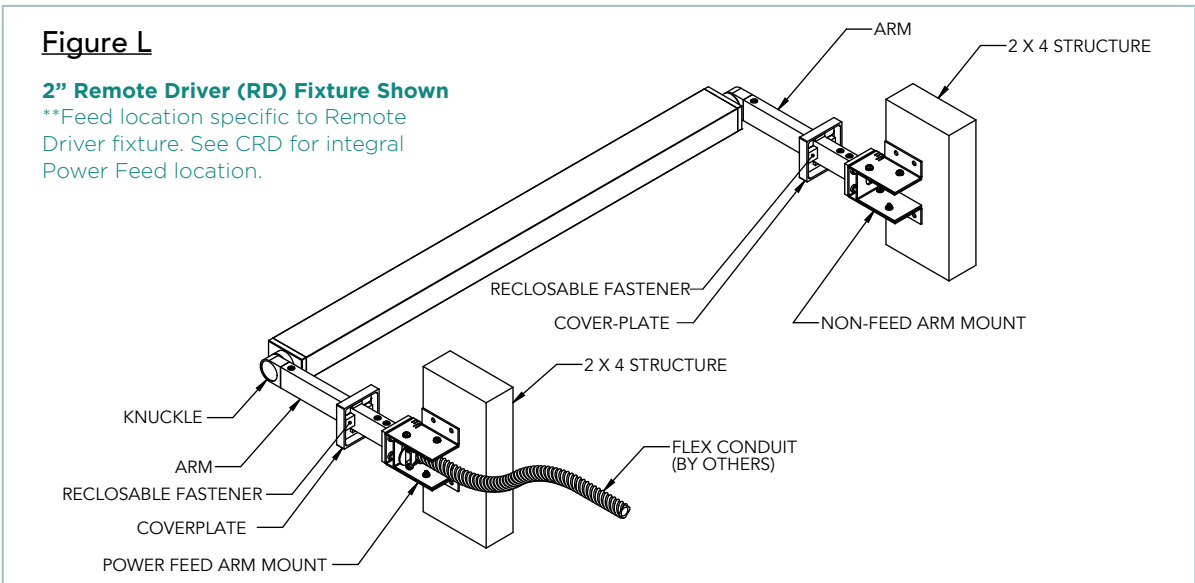
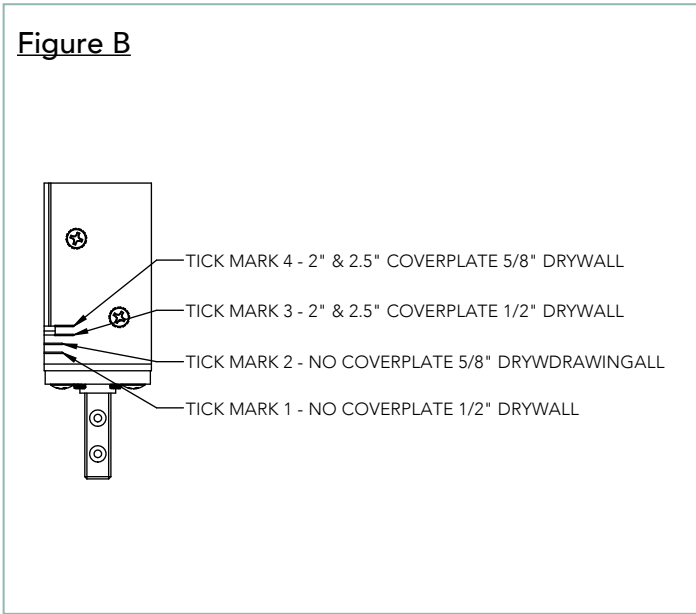
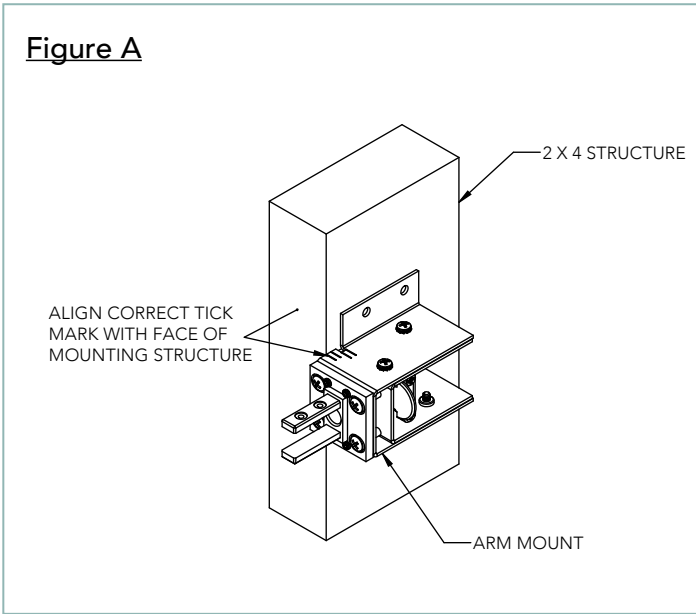


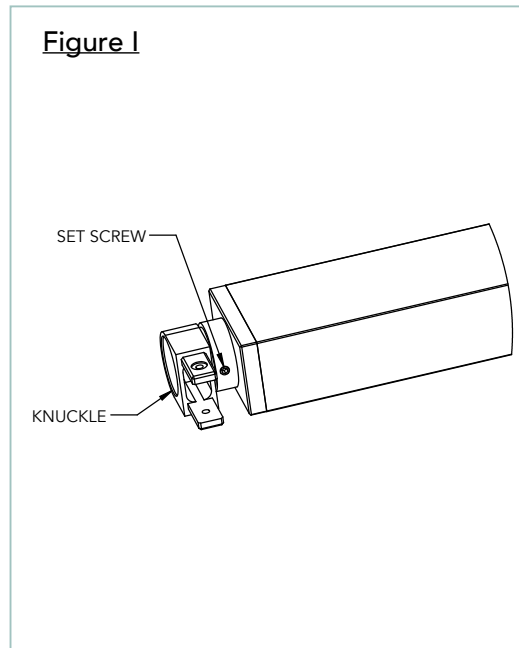
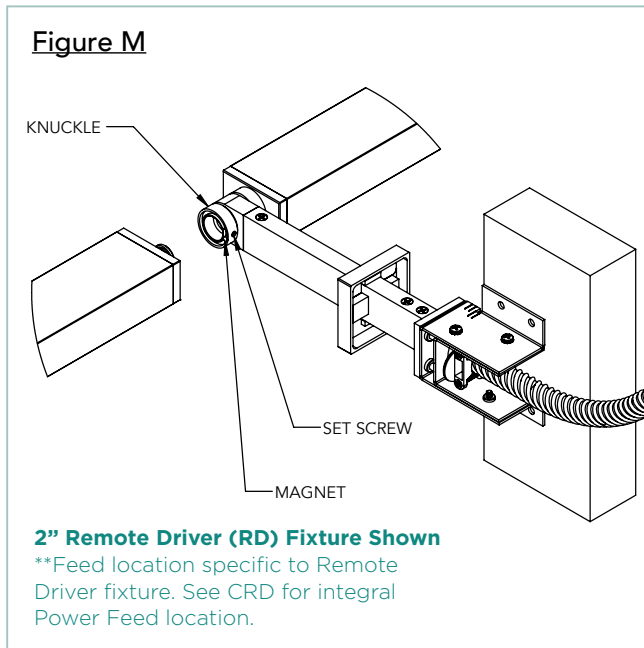
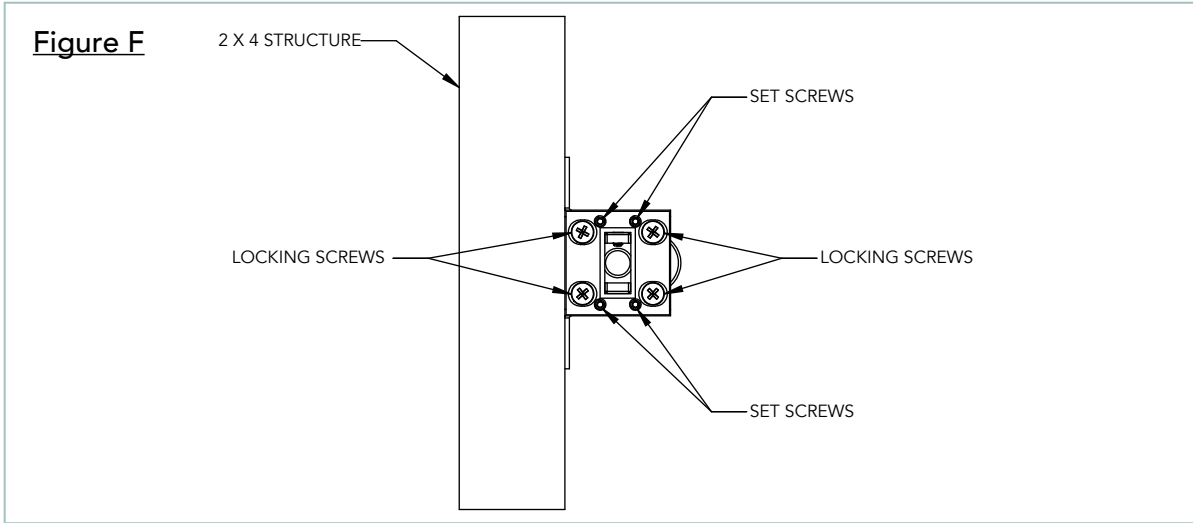
**WALL MOUNTED | INTEGRAL DRIVER**  
 WALL | WALL ROTATIONAL (WR) | 2" & 2.5" COVER-PLATE

**WARNING! RISK OF FIRE AND ELECTRICAL SHOCK. THIS PRODUCT MUST BE INSTALLED IN ACCORDANCE WITH THE NATIONAL ELECTRICAL CODE AND ALL LOCAL CODES BY A QUALIFIED ELECTRICIAN. DISCONNECT POWER AT ELECTRICAL PANEL BEFORE INSTALLING OR SERVICING.**

All wiring must be in accordance with the National Electrical Code and all local codes. Grounding must be in accordance with NEC article 250.

Reference appropriate Continuous Row Detail for Mounting Centers, AWM locations and fixture lengths for your fixture. These Continuous Row Detail pages, and relevant Wiring Diagrams can be found at [www.extantlighting.com](http://www.extantlighting.com) on each product page, for the appropriate mounting version, as well as these installation instructions.





## NO COVERPLATE REMOTE

1. Install mounting structure. Refer to Continuous Row Detail for correct spacing.
2. Attach the power feed Arm Mount and non-power Arm Mount(s) to mounting structure using #10 screws (by others). Note: the power feed Arm Mount includes a flex connector. Ensure the correct “tick mark” is aligned with the face of the mounting structure. See figures A and B. Note: it is critical that the correct spacing is maintained. If necessary, adjust the mounting structure.
3. Install Remote Driver(s). Ensure wiring from fixture will reach Remote Driver(s).
4. Attach 3/8 flex conduit (by others) to power feed Arm Mount(s) and Remote Driver(s).
5. Install drywall over mounting structure. Note: cut out areas around Arm Mounts.
6. Route wiring through Arm(s) and attach Arms to fixture.
  - a. For Stand-Alone fixtures continue to step 7. For Continuous Rows skip to step 9.
7. Attach fixture to Arm Mounts while pulling wires into Remote Driver and make wire connections. See figure L. Note: locking screws can be loosened to make slight side-to-side adjustments of the Arm Mounts. See figure F.
8. Bring line voltage, ground and dimming wires to Remote Driver and make wire connections. Skip to step 16.
9. For Continuous Rows, attach starter fixture to Arm Mounts while pulling wires into Remote Driver and make wire connections. See figure L. Note: locking screws can be loosened to make slight side-to-side adjustments of the Arm Mounts. See figure F.
10. Attach middle fixture to Arm Mounts while pulling wires into J-Box.
11. Loosen Set Screw using a 5/64” hex key and slide Piston into Knuckle. Be careful not to dislodge magnet. See figure M.
12. Tighten set screws. Note: set screws can be loosened 1/4 turn from tight to allow rotational adjustment.
13. Make wire connections to Remote Drivers.
14. Repeat steps 10 thru 13 for all middle and end sections.
15. Bring line voltage, ground and dimming wires to Remote Drivers and make wire connections.
16. Rotate fixture to desired position and tighten set screws using a 5/64” hex key. See figure I.
17. Adjust tilt of fixture by loosening locking screws, adjusting set screws and re-tightening locking screws. See figure F.
18. Test fixture before proceeding.
19. Apply mesh type drywall tape around Arm Mounts.
20. Mask arms and fixture. Mud over Arm mounts and finish wall.
21. Remove masking before operation.



## NO COVERPLATE INTEGRAL

1. Install mounting structure. Refer to Continuous Row Detail for correct spacing.
2. Attach the power feed Arm Mount and non-power Arm Mount(s) to mounting structure using #10 screws (by others). Note: the power feed Arm Mount includes a flex connector. Ensure the correct "tick mark" is aligned with the face of the mounting structure. See figures A and B. Note: it is critical that the correct spacing is maintained. If necessary, adjust the mounting structure.
3. Install J-Box (by others). Ensure wiring from fixture will reach J-Box.
4. Attach 3/8 flex conduit (by others) to Power Feed Arm Mount and J-Box.
5. Install drywall over mounting structure. Note: cut out areas around Arm Mounts.
6. Route wiring through Arms and attach Arms to fixture.
  - a. For Stand-Alone fixtures continue to step 7. For Continuous Rows skip to step 9.
7. Attach fixture to Arm Mounts while pulling wires into J-Box. See figure L. Note: locking screws can be loosened to make slight side-to-side adjustments of the Arm Mounts. See figure F.
8. Make wire connections in J-Box. To complete Stand Alone Installation Skip to step 18.
9. For Continuous Rows, remove all direct side Light Guide Plate/Reflector Assemblies (see Light Guide Plate/Reflector Removal and Installation Instructions).
10. Attach starter fixture to Arm Mounts while pulling wires into J-Box. See figure L. Note: locking screws can be loosened to make slight side-to-side adjustments of the Arm Mounts. See figure F.
11. Make wire connections in J-Box.
12. Attach middle fixture to Arm Mount.
13. Loosen Set Screw using a 5/64" hex key and slide Piston into Knuckle. Be careful to not dislodge magnet. See figure M.
14. Tighten set screws. Note: set screws can be loosened 1/4 turn from tight to allow rotational adjustment.
15. Repeat steps 11, 12 and 13 for all middle and end sections.
16. Feed thru-wiring from starter into middle and make wire connections. Repeat for each section.
17. Ensure the Light Guide Plate/Reflector assemblies are free of dirt, smudges and debris. If needed, the acrylic portion can be cleaned with 409 or equivalent cleaner (DO NOT USE GLASS CLEANER ON THE ACRYLIC LIGHT GUIDE PLATE). Install Light Guide Plate/Reflector assemblies (see Light Guide Plate/Reflector removal and installation instructions). Ensure Light Guide Plate/Reflector assembly joints are tight. If needed, use the plastic Pry Tool (supplied) to insert between the end of the Light Guide Plate/Reflector assembly in the last fixture and end cap, giving a small pry to shift all Light Guide Plate/Reflector assemblies for entire run, so they are tight. Install the MEO optic.
18. Rotate fixture to desired position and tighten set screws using a 5/64" hex key. See figure I.
19. Adjust tilt of fixture by loosening locking screws, adjusting set screws and re-tightening locking screws. See figure F.
20. Test fixture before proceeding.
21. Apply mesh type drywall tape around Arm Mounts.
22. Mask arms and fixture. Mud around Arm mounts and finish wall.
23. Remove masking before operation.



## 2" & 2.5" COVERPLATE REMOTE

1. Install mounting structure. Refer to Continuous Row Detail for correct spacing.
2. Attach the power feed Arm Mount(s) and non-power Arm Mount to mounting structure using #10 screws (by others). Note: the power feed Arm Mount includes a flex connector. Ensure the correct "tick mark" is aligned with the face of the mounting structure. See figures A and B. Note: it is critical that the correct spacing is maintained. If necessary, adjust the mounting structure.
3. Install Remote Driver(s). Ensure wiring from fixture will reach Remote Driver(s).
4. Attach 3/8 flex conduit (by others) to power feed Arm Mount and Remote Driver(s).
5. Install drywall over mounting structure. Note: Be Sure to cut out areas around Arm Mounts.
6. Mask Arm Mounts and finish wall. Remove masking when complete.
7. Feed wiring thru Arm(s) and attach Arms to fixture.
  - a. For Stand-Alone fixtures continue to step 8. For Continuous Rows skip to step 10.
8. Slide Cover-plates over Arms and attach fixture to Arm Mounts while pulling wires into Remote Driver. Make wire connections. See figure L. Note: locking screws can be loosened to make slight side-to-side adjustments of the Arm Mounts. See figure F.
9. Bring line voltage, ground and dimming wires to Remote Driver and make wire connections. Skip to step 17.
10. For Continuous Rows, slide Cover-plates over starter Arms and attach fixture to Arm Mounts while pulling wires into Remote Driver. Make wire connections. See figure L. Note: locking screws can be loosened to make slight side-to-side adjustments of the Arm Mounts. See figure F.
11. Slide Cover-plate over middle Arm and attach fixture to Arm Mount while pulling wires into Remote Driver.
12. Loosen Set Screw using a 5/64" hex key and slide Piston into Knuckle. Be careful not to dislodge magnet. See figure M.
13. Tighten set screws. Note: set screws can be loosened 1/4 turn from tight to allow rotational adjustment.
14. Make wire connections to Remote Drivers.
15. Repeat steps 11 thru 14 for all middle and end sections.
16. Bring line voltage, ground and dimming wires to Remote Drivers and make wire connections.
17. Rotate fixture to desired position and tighten set screws using a 5/64" hex key. See figure I.
18. Adjust tilt of fixture by loosening locking screws, adjusting set screws and re-tightening locking screws. See figure F.
19. Slide Cover-plates and attach to Arm Mounts with reclosable fastener. See figure L.

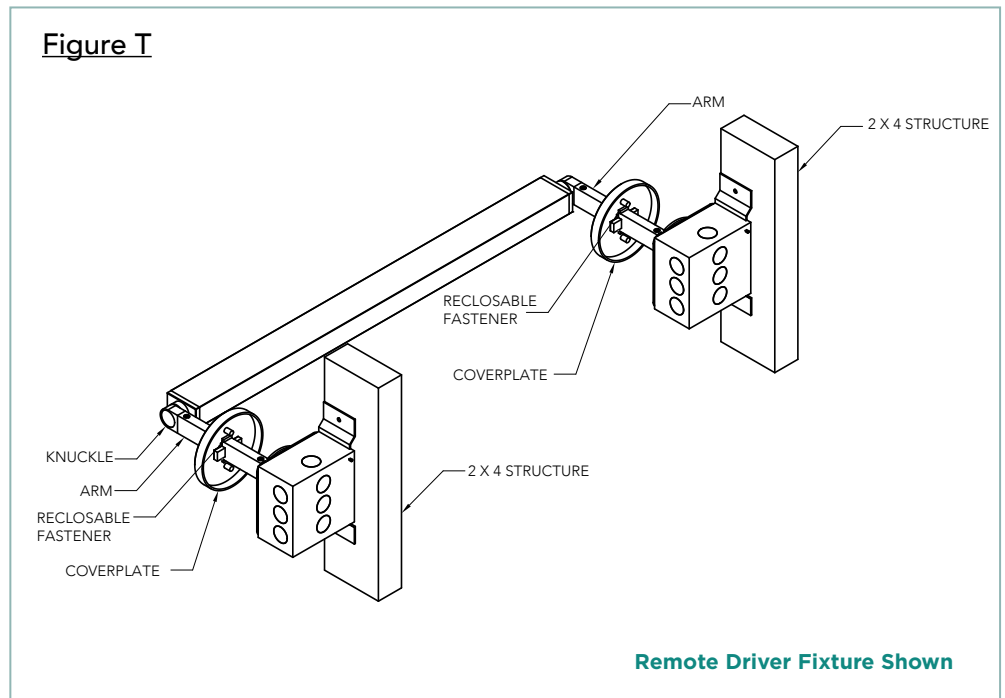
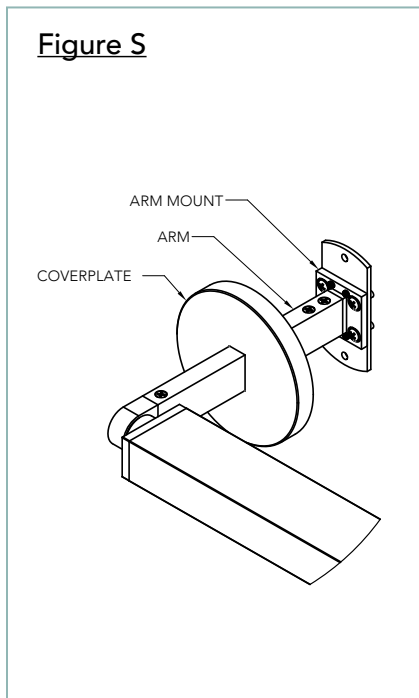
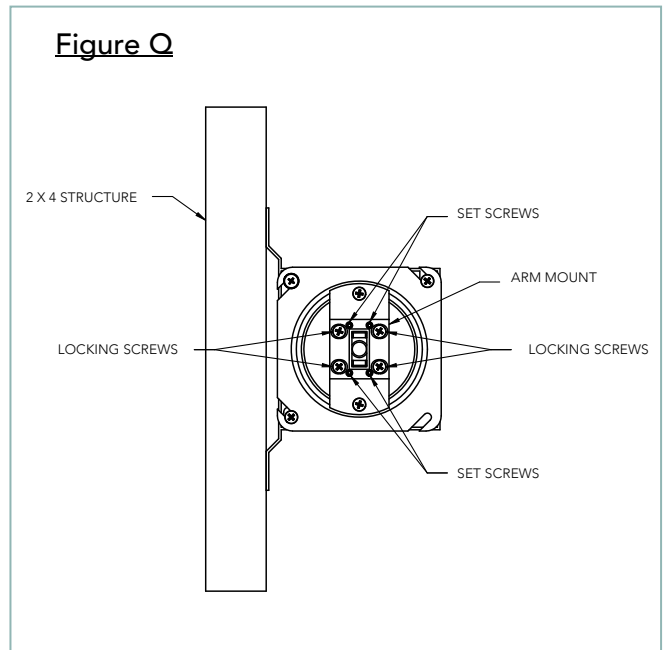
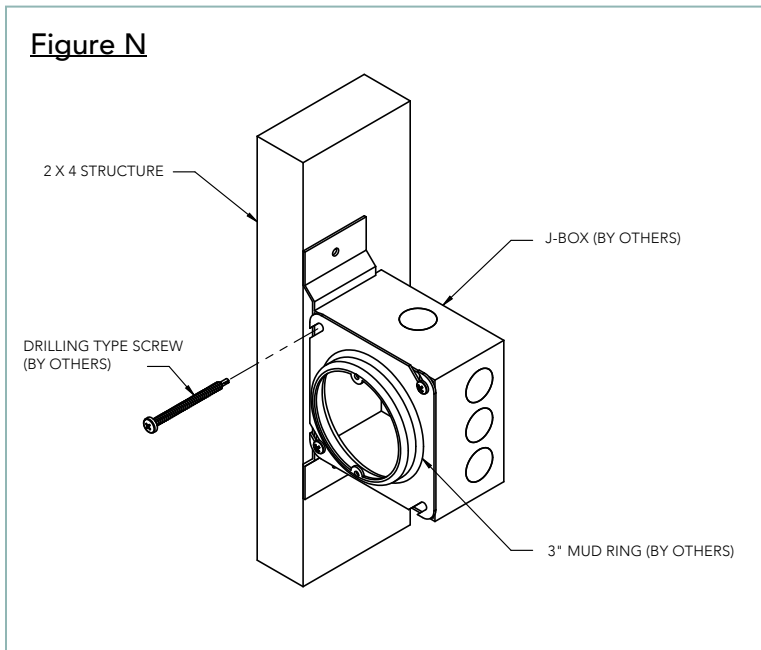


## 2" & 2.5" COVERPLATE INTEGRAL

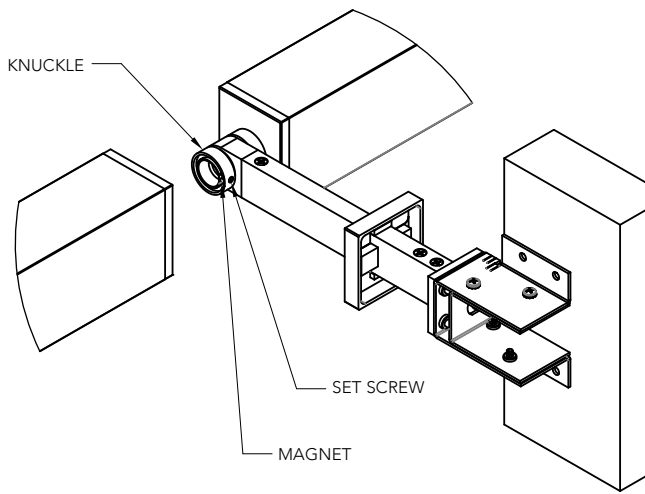
1. Install mounting structure. Refer to Continuous Row Detail for correct spacing.
2. Attach the power feed Arm Mount and non-power Arm Mount(s) to mounting structure using #10 screws (by others). Note: the power feed Arm Mount includes a flex connector. Ensure the correct "tick mark" is aligned with the face of the mounting structure. See figures A and B. Note: it is critical that the correct spacing is maintained. If necessary, adjust the mounting structure. Rotate fixture to desired position and tighten set screws using a 5/64" hex key. See figure I.
3. Install J-Box (by others) and bring line voltage, ground and dimming wires to J-Box. Ensure wiring from fixture will reach J-Box.
4. Attach 3/8 flex conduit (by others) to power feed Arm Mount and J-Box.
5. Install drywall over mounting structure. Note: Be sure to cut out areas around Arm Mounts.
6. Mask Arm Mounts and finish wall. Remove masking when complete.
7. Feed wiring thru Arm and attach Arms to fixture.
  - a. For Stand-Alone fixtures continue to step 8. For Continuous Rows skip to step 10.
8. Slide Cover-plates over Arms and attach fixture to Arm Mounts while pulling wires into J-Box. See figure L. Note: locking screws can be loosened to make slight side-to-side adjustments of the Arm Mounts. See figure F.
9. Make wire connections in J-Box. To complete Stand-Alone Installation skip to step 19.
10. For Continuous Rows, remove all direct side Light Guide Plate/Reflector Assemblies (see Light Guide Plate/ Reflector Removal and Installation Instructions).
11. Slide Cover-plates over starter Arms and attach fixture to Arm Mounts while pulling wires into J-Box. See figure L. Note: locking screws can be loosened to make slight side-to-side adjustments of the Arm Mounts. See figure F.
12. Make wire connections in J-Box.
13. Slide Cover-plate over middle Arm and attach fixture to Arm Mount.
14. Loosen Set Screw using a 5/64" hex key and slide Piston into Knuckle. Be careful not to dislodge magnet. See figure M.
15. Tighten set screws. Note: set screws can be loosened 1/4 turn from tight to allow rotational adjustment.
16. Repeat steps 13, 14 and 15 for all middle and end sections.
17. Feed thru-wiring from starter into middle and make wire connections. Repeat for each section.
18. Ensure the Light Guide Plate/Reflector assemblies are free of dirt, smudges and debris. If needed, the acrylic portion can be cleaned with 409 or equivalent cleaner (DO NOT USE GLASS CLEANER ON THE ACRYLIC LIGHT GUIDE PLATE). Install Light Guide Plate/Reflector assemblies (see Light Guide Plate/Reflector removal and installation instructions). Ensure Light Guide Plate/Reflector assembly joints are tight. If needed, use the plastic Pry Tool (supplied) to insert between the end of the Light Guide Plate/Reflector assembly and end cap, giving a small pry to shift the Light Guide Plate/Reflector assemblies, so they are tight. Install the MEO optic
19. Rotate fixture to desired position and tighten set screws using a 5/64" hex key. See figure I.
20. Adjust tilt of fixture by loosening locking screws, adjusting set screws and re-tightening locking screws. See figure F.
21. Slide Cover-plates and attach to Arm Mounts with reclosable fastener. See figure L.



**WALL MOUNTED | REMOTE DRIVER (RD) & INTERGRAL DRIVER (TD)**  
 WALL | WALL ROTATIONAL (WR) | 4" COVER-PLATE

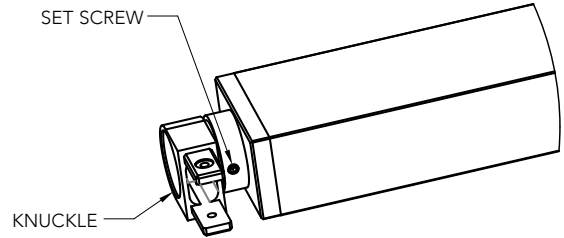


**Figure K**



**Remote Driver Fixture Shown**

**Figure I**



**Remote Driver Fixture Shown**

**4" COVERPLATE REMOTE**

1. Install mounting structure. Refer to Continuous Row Detail for correct spacing.
2. Install 4" square J-Boxes (by others) with 3" mud rings (by others) to mounting structure. Orientate the 3" mud ring so the mounting tabs are at 12 and 6 o'clock. Also, an additional screw (by others) must be installed to support the mud ring in the top corner. It is recommended that a drilling type screw such as McMaster-Carr P/N 94060A420 is used. See figure N. Note: it is critical that the correct spacing is maintained. If necessary, adjust the mounting structure.
3. Install Remote Driver(s).
4. Bring line voltage, ground and dimming wires to Remote Driver(s) and make wire connections.
5. Install flex conduit (by others) between J-Box(s) and Remote Driver(s), pull 18 AWG wiring and make wire connections to Remote Driver(s).
6. Install drywall over mounting structure. Note: cut out areas around mud rings.
7. Mud around mud rings and finish wall.
8. Feed wiring thru Arm and attach Arms to fixture.
9. Slide Cover-plates over Arms and attach Arm Mounts to Arms. See figure S.
  - a. For Stand-Alone fixtures continue to step 8. For Continuous Rows skip to step 10.
10. Attach fixture to mud rings. See figure T. Note: locking screws can be loosened to make slight side-to-side adjustments of the Arm Mounts. See figure Q
11. Make wire connections in J-Box. Skip to step 18.
12. Attach starter fixture to mud rings. See figure T. Note: locking screws can be loosened to make slight side-to-side adjustments of the Arm Mounts. See figure Q.
13. Attach middle fixture to mud rings.
14. Loosen Set Screw using a 5/64" hex key and slide Piston into Knuckle. Be careful not to dislodge magnet. See figure U.





15. Tighten set screws. Note: set screws can be loosened 1/4 turn from tight to allow rotational adjustment.
16. Repeat steps 13, 14 and 15 for all middle and end sections.
17. Make wire connections in J-Boxes.
18. Rotate fixture to desired position and tighten set screws using a 5/64" hex key. See figure I.
19. Adjust tilt of fixture by loosening locking screws, adjusting set screws and re-tightening locking screws. See figure Q.
20. Slide Cover-plates and attach to Arm Mounts with reclosable fastener. See figure T.

## 4" COVERPLATE REMOTE

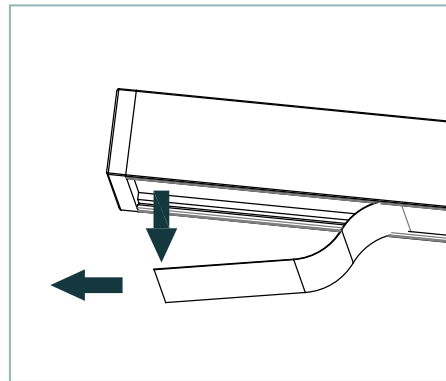
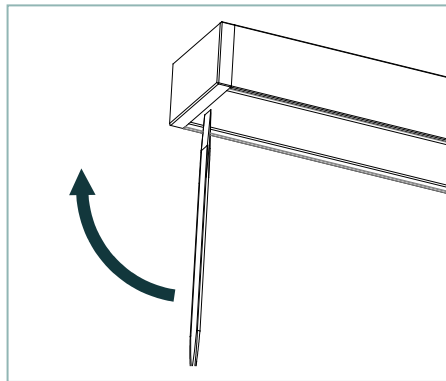
1. Install mounting structure. Refer to Continuous Row Detail for correct spacing.
2. Install 4" square J-Boxes (by others) with 3" mud rings (by others) to mounting structure. Orientate the 3" mud ring so the mounting tabs are at 12 and 6 o'clock. Also, an additional screw (by others) must be installed to support the mud ring in the top corner. It is recommended that a drilling type screw such as McMaster-Carr P/N 94060A420 is used. See figure N. Note: it is critical that the correct spacing is maintained. If necessary, adjust the mounting structure.
3. Bring Line voltage, ground and dimming wires to J-Box.
4. Install drywall over mounting structure. Note: cut out areas around mud rings.
5. Mud around mud rings and finish wall.
6. Feed wiring thru Arm and attach Arms to fixture.
7. Slide Cover-plates over Arms and attach Arm Mounts to Arms. See figure S.  
\*For Stand-Alone fixtures continue to step 8. For Continuous Rows skip to step 10.
8. Attach fixture to mud rings. See figure T. Note: locking screws can be loosened to make slight side-to-side adjustments of the Arm Mounts. See figure Q.
9. Make wire connections in J-Box. Skip to step 19.
10. For Continuous Rows, remove all direct side Light Guide Plate/Reflector Assemblies (see Light Guide Plate/ Reflector Removal and Installation Instructions).
11. Attach starter fixture to mud rings. See figure T. Note: locking screws can be loosened to make slight side-to-side adjustments of the Arm Mounts. See figure Q.
12. Make wire connections in J-Box.
13. Attach middle fixture to mud ring.
14. Loosen Set Screw using a 5/64" hex key and slide Piston into Knuckle. Be careful not to dislodge magnet. See figure U.
15. Tighten set screws. Note: set screws can be loosened 1/4 turn from tight to allow rotational adjustment.
16. Repeat steps 13, 14 and 15 for all middle and end sections.
17. Feed thru-wiring from starter into middle and make wire connections. Repeat for each section.
18. Ensure the Light Guide Plate/Reflector assemblies are free of dirt, smudges and debris. If needed, the acrylic portion can be cleaned with 409 or equivalent cleaner (DO NOT USE GLASS CLEANER ON THE ACRYLIC LIGHT GUIDE PLATE). Install Light Guide Plate/Reflector assemblies (see Light Guide Plate/ Reflector removal and installation instructions). Ensure Light Guide Plate/Reflector assembly joints are tight. If needed, use the plastic Pry Tool (supplied) to insert between the end of the Light Guide Plate/Reflector assembly and end cap, giving a small pry to shift the Light Guide Plate/Reflector assemblies, so they are tight. Install the MEO optic.



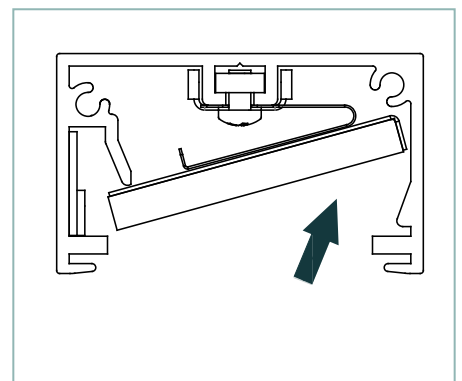
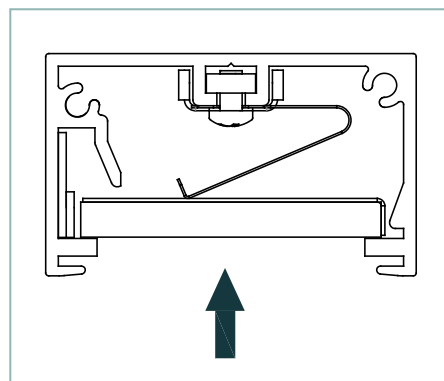
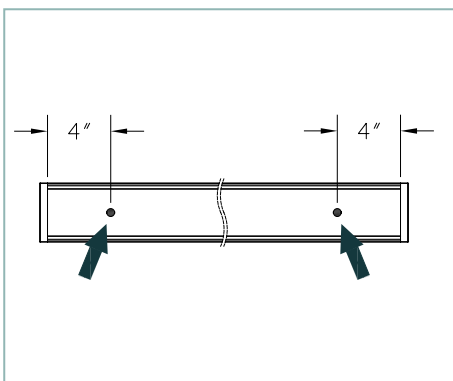
19. Rotate fixture to desired position and tighten set screws using a 5/64" hex key. See figure I.
20. Adjust tilt of fixture by loosening locking screws, adjusting set screws and re-tightening locking screws. See figure Q.
21. Slide Cover-plates and attach to Arm Mounts with reclosable fastener. See figure T.

**LGP INSTALLATION AND REMOVAL INSTRUCTIONS**

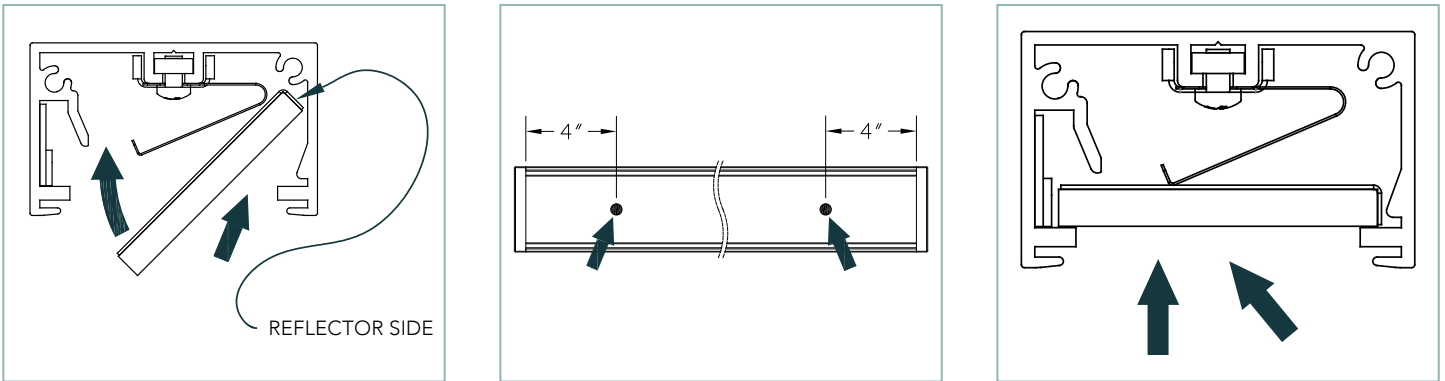
1. Diffuser removal. Insert included MEO Optic Tool between diffuser and endcap and gently pry the diffuser. Gently pull diffuser down and away.



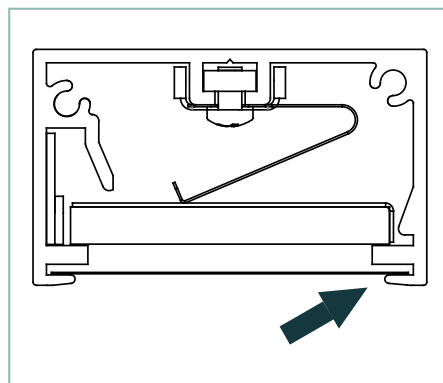
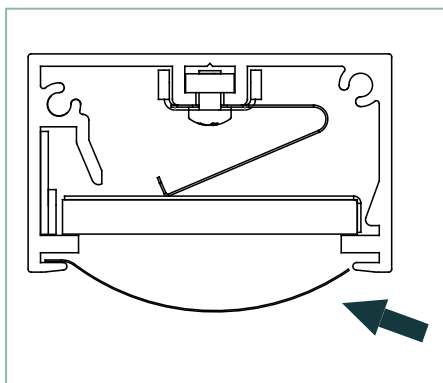
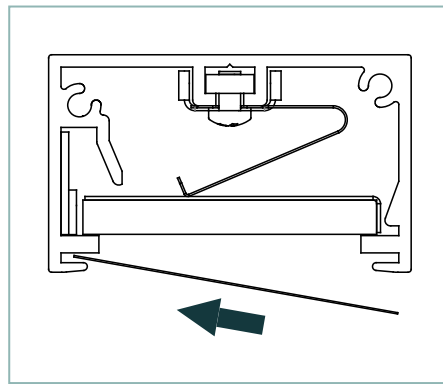
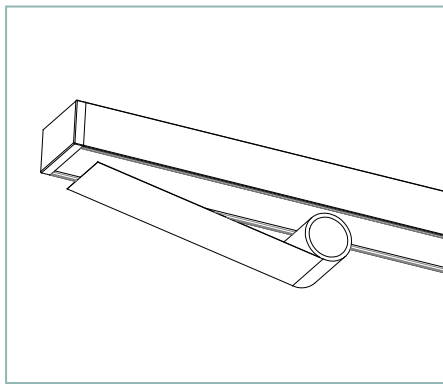
2. LGP (Light Guide Plate) removal. Utilizing the Extant Tool-Less Push & Eject System push on LGP approximately 4" from each end. You will notice the side closest to the led only moves a small distance. Continue pushing on the side opposite the LED until the LGP is released. You may have to push on the LGP several times to release it. Note: it helps to moisten fingertips slightly during this process.



3. LGP installation. Insert LGP with the reflector side opposite the LED at approximately 45 degrees. Push LGP approximately 4" from each end to compress Tool-Less Push to Eject System and push towards LED. Push LGP several times up and towards the LED to ensure it is seated properly. Note: it helps to moisten fingertips slightly during this process.

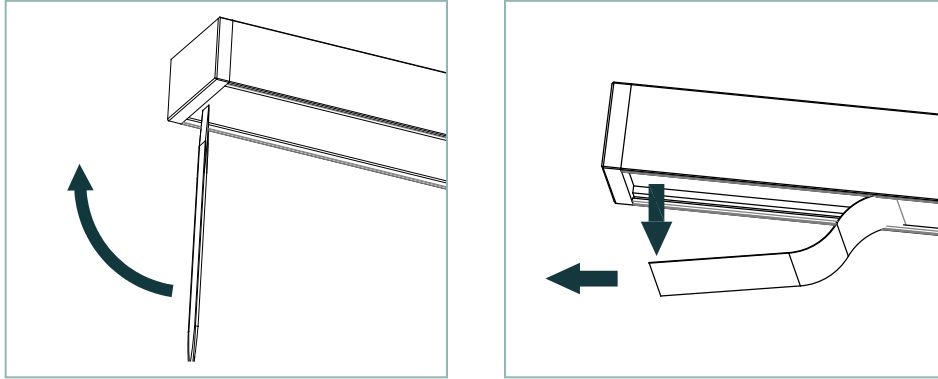


4. Diffuser installation. Start with diffuser rolled up. Unroll 9-12 inches and insert one side of diffuser into the channel of the extrusion. Squeeze diffuser causing it to curve outward and insert opposite side into channel. Slide fingers along diffuser to insert into channels as you unroll it. Continue this process until diffuser is fully installed. For long fixtures or runs tape the beginning of the diffuser to the end cap with a removable type tape such as blue painters tape.

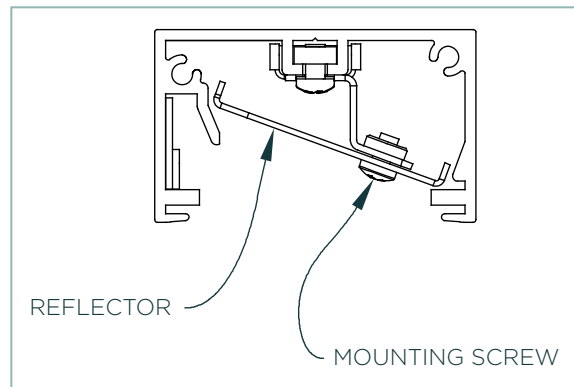


## ASYMMETRIC REFLECTOR INSTALLATION AND REMOVAL INSTRUCTIONS

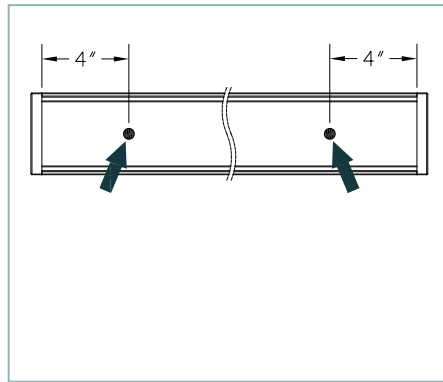
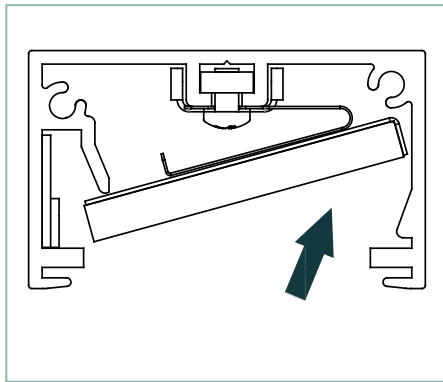
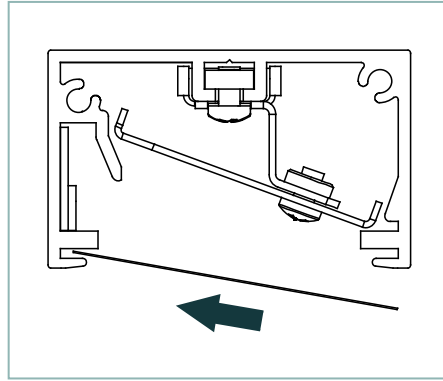
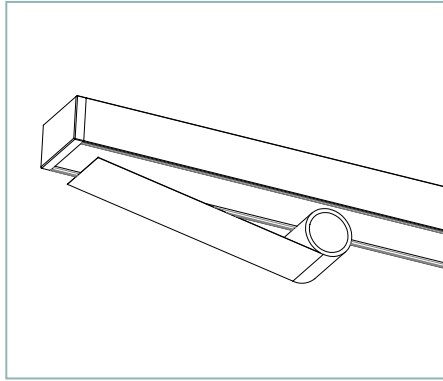
1. Diffuser removal. Insert included MEO Optic Tool between diffuser and endcap and gently pry the diffuser. Gently pull diffuser down and away.



2. Reflector removal. Remove mounting screws and remove reflector.



3. Reflector installation. Place reflector on mounting brackets and install mounting screws.
4. Diffuser installation. Start with diffuser rolled up. Unroll 9-12 inches and insert one side of diffuser into the channel of the extrusion. Squeeze diffuser causing it to curve outward and insert opposite side into channel. Slide fingers along diffuser to insert into channels as you unroll it. Continue this process until diffuser is fully installed. For long fixtures or runs tape the beginning of the diffuser to the end cap with a removable type tape such as blue painters tape. See Next page for diffuser visuals.



\* Due to our culture of always striving for product enhancement, specifications and information within this document are subject to change without notice. 2020 Extant Lighting, Inc. All rights reserved.

