

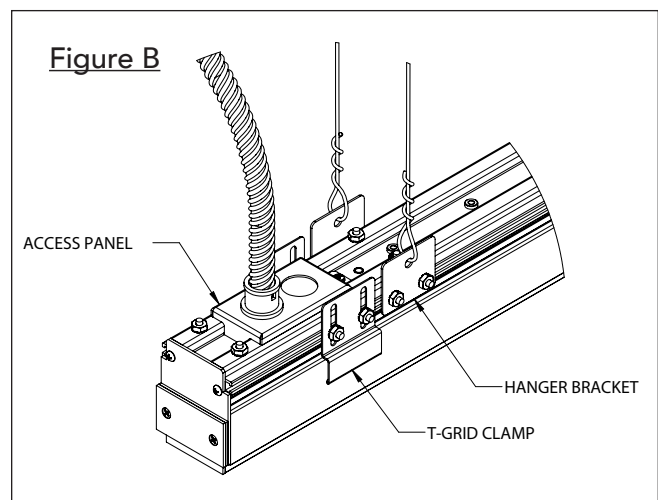
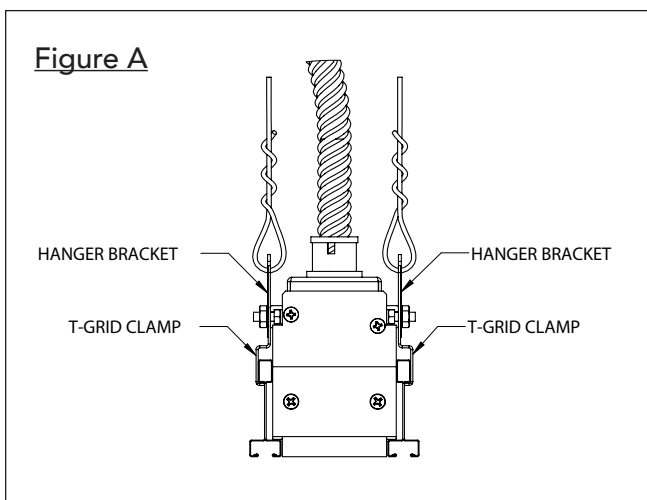
RECESSED INTEGRAL DRIVER
RECESSED | T-GRID (L1/L9/T1/T9/SB/AI)

WARNING! RISK OF FIRE AND ELECTRICAL SHOCK. THIS PRODUCT MUST BE INSTALLED IN ACCORDANCE WITH THE NATIONAL ELECTRICAL CODE AND ALL LOCAL CODES BY A QUALIFIED ELECTRICIAN. DISCONNECT POWER AT ELECTRICAL PANEL BEFORE INSTALLING OR SERVICING.

All wiring must be in accordance with the National Electrical Code and all local codes. Grounding must be in accordance with NEC article 250.

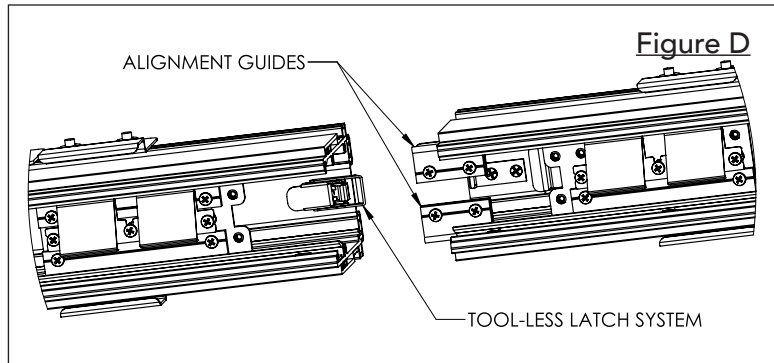
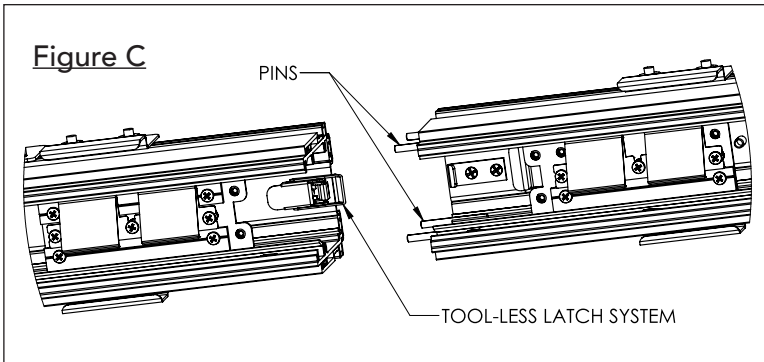
Reference appropriate Continuous Row Detail for Mounting Centers, AWM locations and fixture lengths for your fixture. These Continuous Row Detail pages, and relevant Wiring Diagrams can be found at www.extantlighting.com on each product page, for the appropriate mounting version, as well as these installation instructions.

1. Reference Continuous Row Detail for T-grid Centers. Note: The T-grid must be installed to accommodate the width of the specific fixture that was ordered.
 - For stand-alone fixtures continue to step 2. For Continuous Rows skip to step 6.



2. Loosen T-grid Clamps (Figure A & B) and place fixture in T-grid. Ensure flanges are resting on T-grid.
3. Tighten T-grid Clamps on T-grid.
4. Attach hanger wires (by others) to Hanger Brackets.
5. Remove feed wire Access Panel(Figure B) from back of fixture, pull out feed wires through opening, connect flex conduit (conduit and fittings by others) via provided 1/2" KO on back of Access Panel and makeup feed connections following supplied wiring diagram. Gently push wire connections back into fixture and re-attach access panel. Stand-Alone installation is complete.





6. For Continuous Rows, remove all Light Guide Plate/Reflector Assemblies (see Light Guide Plate/Reflector Removal and Installation Instructions).
7. Loosen T-grid Clamps(Figure A & B) and place Starter fixture in T-grid. Ensure flanges are resting on T-grid.
8. Tighten T-grid Clamps on T-grid.
9. Attach hanger wires (by others) to Hanger Brackets.(Figure A & B)
10. Remove feed wire Access Panel from back of Starter fixture, pull out feed wires through opening, connect flex conduit (conduit and fittings by others) via provided 1/2" KO on back of Access Panel and makeup feed connections following supplied wiring diagram. Gently push wire connections back into fixture and re-attach access panel.
11. Loosen T-grid Clamps and place Middle fixture(s) in T-grid. Ensure flanges are resting on T-grid. Attach by sliding the Pins into their respective slots and secure with Tool-Less Latch System.(Figure C & D)
12. Tighten T-grid Clamps on T-grid.
13. Attach hanger wires (by others) to Hanger Brackets.
14. Loosen T-grid Clamps and place end fixture in T-grid. Ensure flanges are resting on T-grid. Loosen Alignment Guides and slide them halfway between Middle and End fixture. Secure with Tool-Less Latch System. Tighten Alignment Guides.(Figure D)
15. Tighten T-grid Clamps on T-grid.
16. Attach hanger wires (by others) to Hanger Brackets.

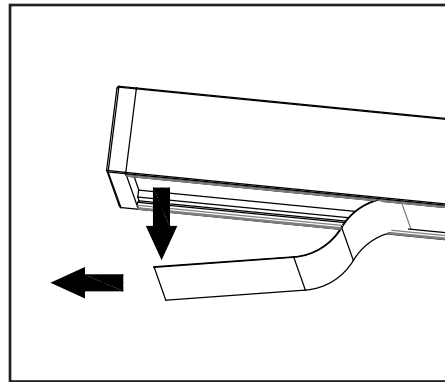
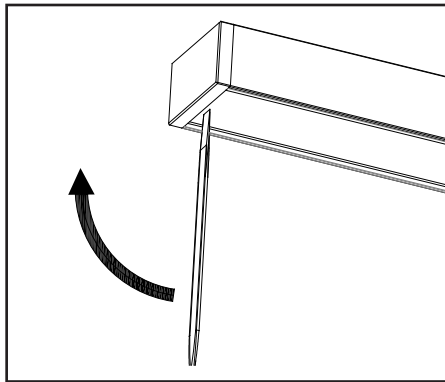


17. Ensure the Light Guide Plate/Reflector Assemblies are free of dirt, smudges and debris. If needed, the acrylic portion can be cleaned with a solution of warm water and a small amount of dish soap. (DO NOT USE GLASS CLEANER ON THE ACRYLIC LIGHT GUIDE PLATE).
18. Install Light Guide Plate/Reflector Assemblies (see Light Guide Plate/Reflector Removal and Installation Instructions). Ensure Light Guide Plate/Reflector Assembly joints are tight. If needed, use the MEO Optic Tool (supplied) to insert between the end of the Light Guide Plate/Reflector Assembly in the End fixture and End Cap, giving a small pry to shift all Light Guide Plate/Reflector Assemblies for entire row, so they are tight. Install the MEO optic.

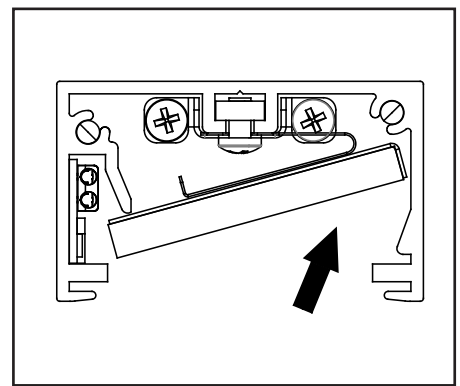
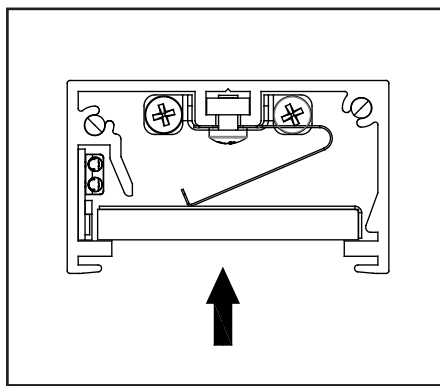
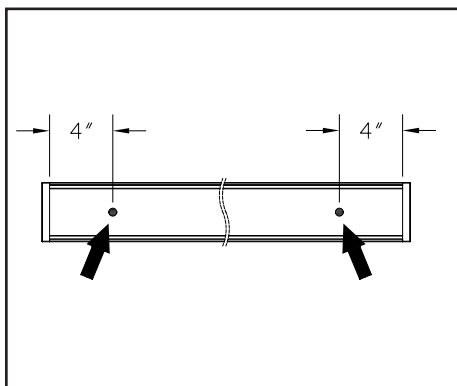


LGP INSTALLATION AND REMOVAL INSTRUCTIONS

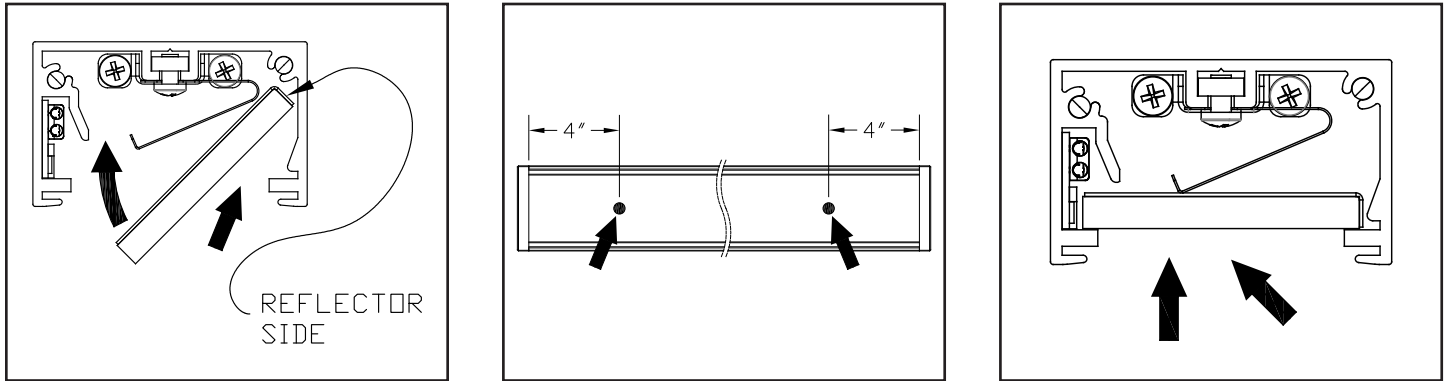
1. Diffuser removal. Insert included tool between diffuser and endcap and gently pry the diffuser. Gently pull diffuser down and away. Alternatively, the MEO Optic Tool provided can be used.



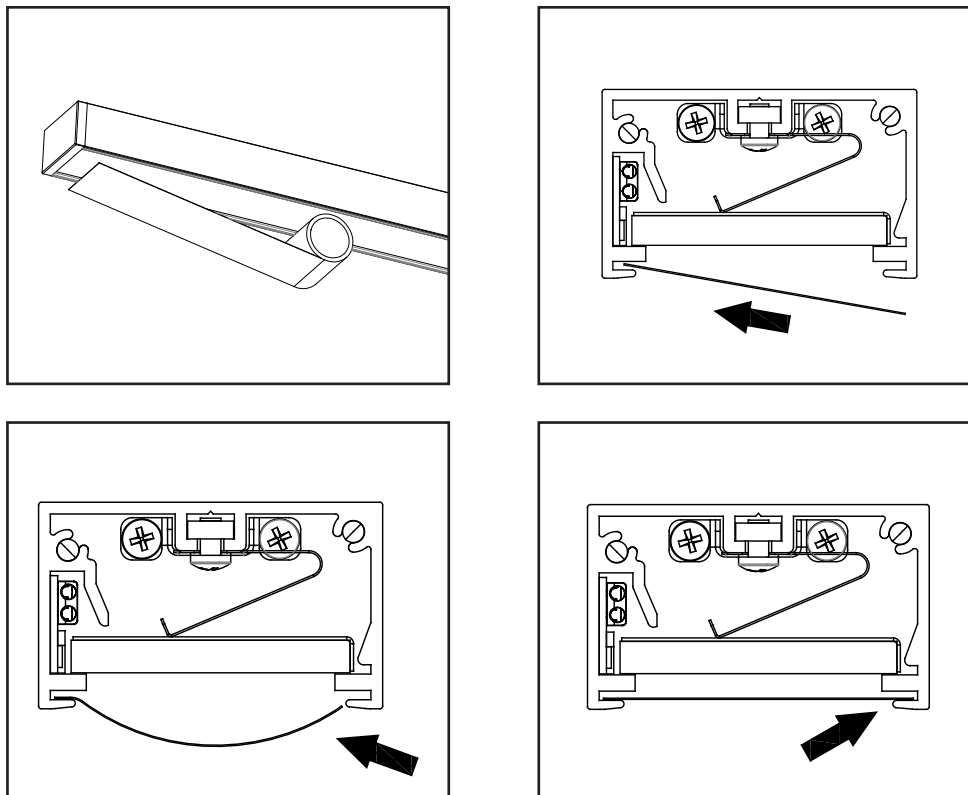
2. LGP (Light Guide Plate) removal. Utilizing the Extant Tool-Less Push & Eject System push on LGP approximately 4" from each end. You will notice the side closest to the led only moves a small distance. Continue pushing on the side opposite the LED until the LGP is released. You may have to push on the LGP several times to release it. Note: it helps to moisten fingertips slightly during this process.



3. LGP installation. Insert LGP with the reflector side opposite the LED at approximately 45 degrees. Push LGP approximately 4" from each end to compress Tool-Less Push to Eject System and push towards LED. Push LGP several times up and towards the LED to ensure it is seated properly. Note: it helps to moisten fingertips slightly during this process.



4. Diffuser installation. Start with diffuser rolled up. Unroll 9-12 inches and insert one side of diffuser into the channel of the extrusion. Squeeze diffuser causing it to curve outward and insert opposite side into channel. Slide fingers along diffuser to insert into channels as you unroll it. Continue this process until diffuser is fully installed. For long fixtures or runs tape the beginning of the diffuser to the end cap with a removable type tape such as blue painters tape.



* Due to our culture of always striving for product enhancement, specifications and information within this document are subject to change without notice. 2020 Extant Lighting, Inc. All rights reserved.

