

WALL MOUNTED REMOTE/INTEGRAL DRIVER

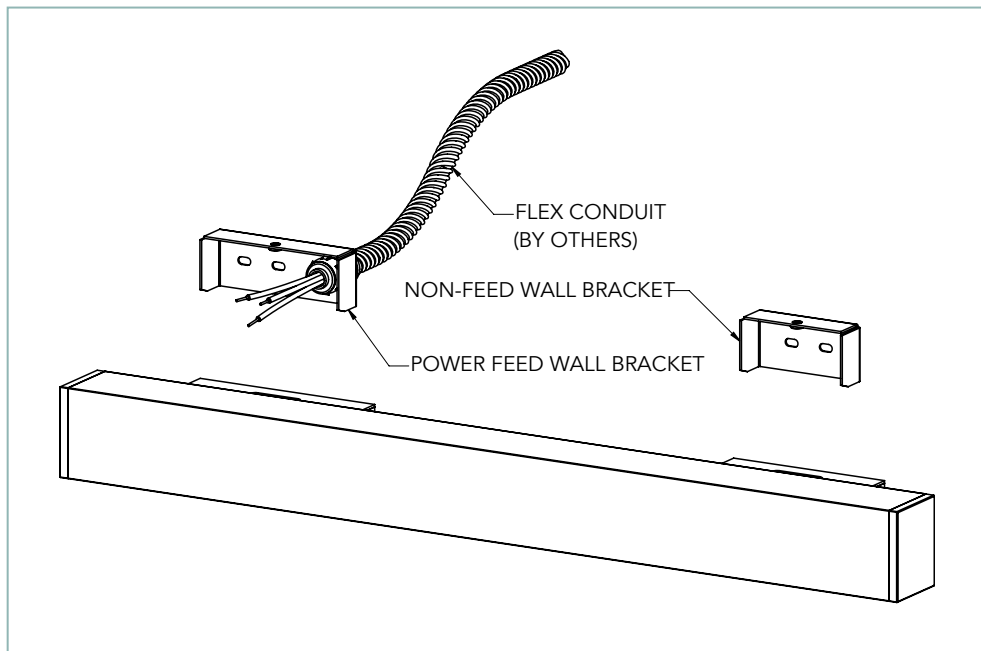
WALL | SURFACE WALL (SW)

WARNING! RISK OF FIRE AND ELECTRICAL SHOCK. THIS PRODUCT MUST BE INSTALLED IN ACCORDANCE WITH THE NATIONAL ELECTRICAL CODE AND ALL LOCAL CODES BY A QUALIFIED ELECTRICIAN. DISCONNECT POWER AT ELECTRICAL PANEL BEFORE INSTALLING OR SERVICING.

All wiring must be in accordance with the National Electrical Code and all local codes. Grounding must be in accordance with NEC article 250.

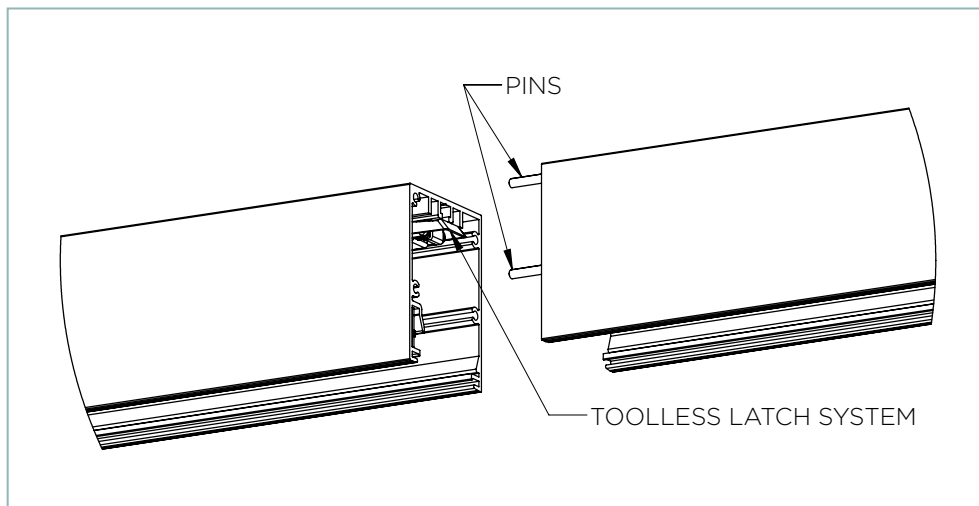
Reference appropriate Continuous Row Detail for Mounting Centers, AWM locations and fixture lengths for your fixture. These Continuous Row Detail pages, and relevant Wiring Diagrams can be found at www.extantlighting.com on each product page, for the appropriate mounting version, as well as these installation instructions.

INTEGRAL DRIVER FIXTURE INSTALLATION INSTRUCTIONS



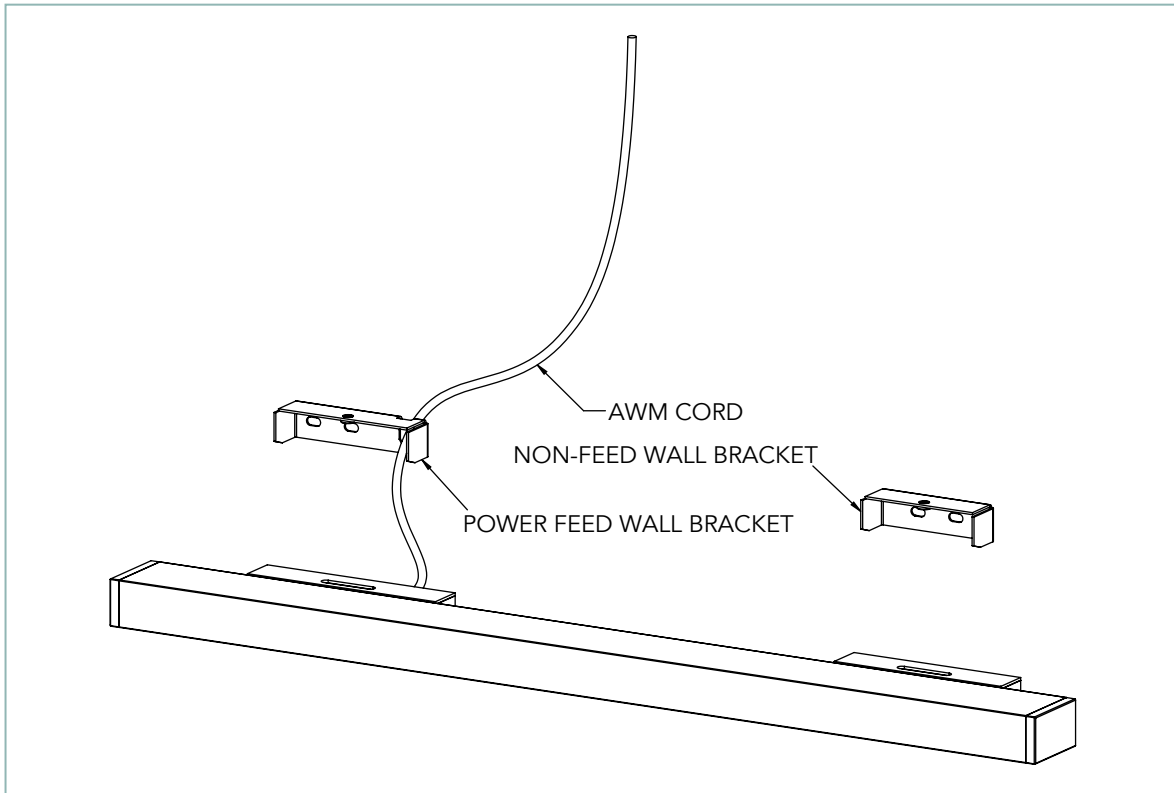
1. Refer to the Continuous Row detail for the location of the Wall Mounting Brackets and power feed.
2. Pull flex conduit thru wall and connect to the power feed Wall Bracket 1/2" KO.
3. Attach power feed Wall Bracket and non-feed Wall Bracket(s) to wall with #10 screws (by others).
4. Remove Light Guide Plate/Reflector Assemblies (see Light Guide Plate/Reflector Removal and Installation Instructions).
 - For Stand-Alone fixtures continue to step 5. For Continuous Rows skip to step 7.

5. Pull feed wires from flex conduit into fixture and mount fixture on Wall Brackets. Install and tighten screws.
6. Make feed connections in fixture. Skip to step 13.
7. For Continuous Rows, remove all Light Guide Plate/Reflector Assemblies (see Light Guide Plate/Reflector Removal and Installation Instructions).
8. Pull feed wires from flex conduit into Starter fixture and mount fixture on Wall Brackets. Install but do not completely tighten screws.
9. Make feed connections in fixture.

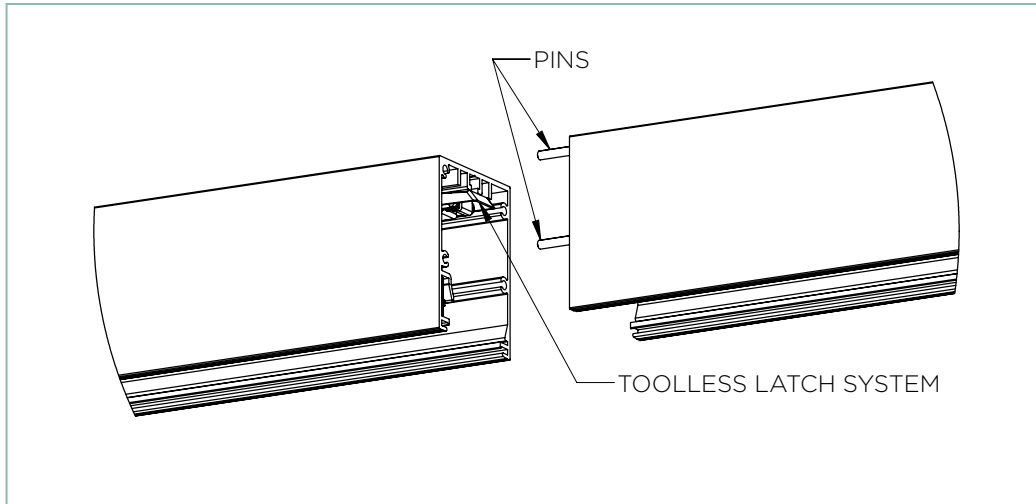


10. Mount Middle fixture(s) on Wall Brackets and attach to adjacent fixture by sliding the Connector Pins into their respective slots and secure with Tool-Less Latch System. Install screws but do not completely tighten. Make thru-wire connections between fixtures.
11. Mount End fixture on Wall Brackets and attach to adjacent fixture by sliding the Connector Pins into their respective slots and secure with Toolless Latch System. Install screws but do not completely tighten. Make thru-wire connections between fixtures.
12. Tighten all screws.
13. Ensure the Light Guide Plate/Reflector Assemblies are free of dirt, smudges and debris. If needed, the acrylic portion can be cleaned with a solution of warm water and a small amount of dish soap (DO NOT USE GLASS CLEANER ON THE ACRYLIC LIGHT GUIDE PLATE).
14. Install Light Guide Plate/Reflector Assemblies (see Light Guide Plate/Reflector Removal and Installation Instructions Ensure Light Guide Plate/Reflector Assembly joints are tight. If needed, use the MEO Optic Tool (supplied) to insert between the end of the Light Guide Plate/Reflector Assembly in the End fixture and end cap, giving a small pry to shift all Light Guide Plate/Reflector Assemblies for entire row, so they are tight. Install the MEO Optic.

REMOTE DRIVER FIXTURE INSTRUCTIONS



1. Refer to the Continuous Row Detail for the location of the Wall Mounting Brackets and power feed.
2. Install Remote Driver Box(es) within 9 feet of the power feed Wall Bracket(s). Ensure the AWM cord will reach to the driver output terminals before driver box is permanently mounted.
3. Attach power feed Wall Bracket(s) and non-feed Wall Bracket(s) to wall with #10 screws (by others).
 - For Stand-Alone fixtures continue to step 4. For Continuous Rows skip to step 7.
4. Feed AWM cord thru power feed Wall Bracket, into wall and mount fixture on Wall Brackets. Install and tighten screws.
5. Connect the AWM cord to the Remote Driver using the 7/8" Reducer Bushing and Strain Relief. Make wire connections.
6. Bring line voltage and ground to Remote Driver and make up wires. Stand-Alone installation is complete.
7. For Continuous Rows, remove all Light Guide Plate/Reflector Assemblies (see Light Guide Plate/Reflector Removal and Installation Instructions).
8. Feed Starter fixture AWM cord thru power feed Wall Bracket, into wall and mount fixture on Wall Brackets. Install but do not completely tighten screws.
9. Connect the AWM cord to the Remote Driver using the 7/8" Reducer Bushing and Strain Relief. Make wire connections.

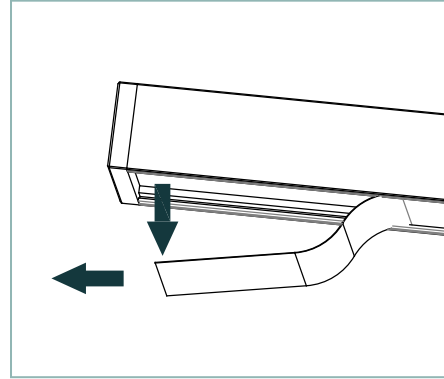
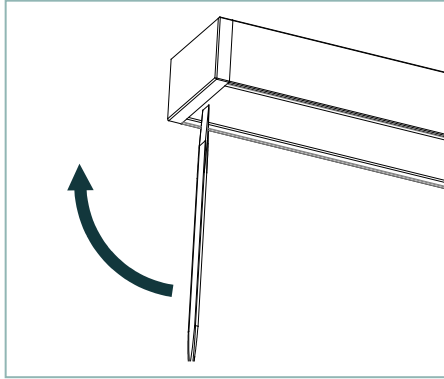


10. Feed Middle fixture(s) AWM cord thru power feed Wall Bracket, into wall and mount fixture(s) on Wall Brackets. Attach to adjacent fixture by sliding the Connector Pins into their respective slots and secure with Toolless Latch System. Install screws but do not completely tighten.
11. Connect the AWM cord to the Remote Driver using the 7/8" Reducer Bushing and Strain Relief. Make wire connections.
12. Feed End fixture AWM cord thru power feed Wall Bracket, into wall and mount fixture on Wall Brackets. Attach to adjacent fixture by sliding the Connector Pins into their respective slots and secure with Toolless Latch System. Install screws but do not completely tighten.
13. Connect the AWM cord to the Remote Driver using the 7/8" Reducer Bushing and Strain Relief. Make wire connections.
14. Tighten all screws.
15. Bring line voltage and ground to Remote Drivers and make wire connections.
16. Ensure the Light Guide Plate/Reflector Assemblies are free of dirt, smudges and debris. If needed, the acrylic portion can be cleaned with a solution of warm water and a small amount of dish soap (DO NOT USE GLASS CLEANER ON THE ACRYLIC LIGHT GUIDE PLATE).
17. Install Light Guide Plate/Reflector Assemblies (see Light Guide Plate/Reflector Removal and Installation Instructions). Ensure Light Guide Plate/Reflector Assembly joints are tight. If needed, use the MEO Optic Tool (supplied) to insert between the end of the Light Guide Plate/Reflector Assembly in the End fixture and End Cap, giving a small pry to shift all Light Guide Plate/Reflector Assemblies for entire row, so they are tight. Install the MEO optic.

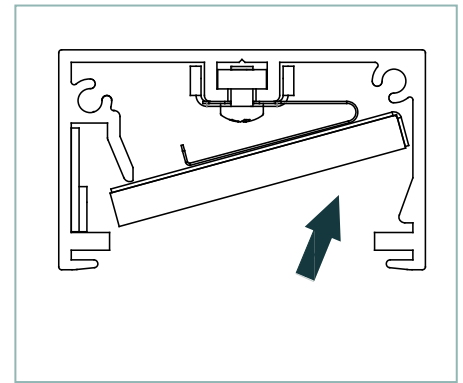
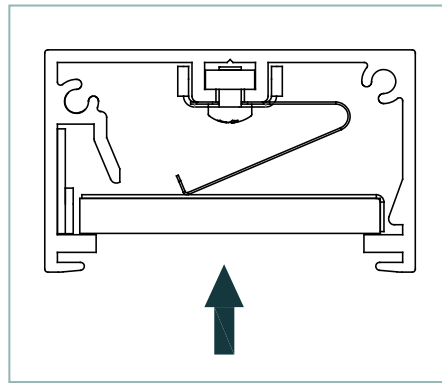
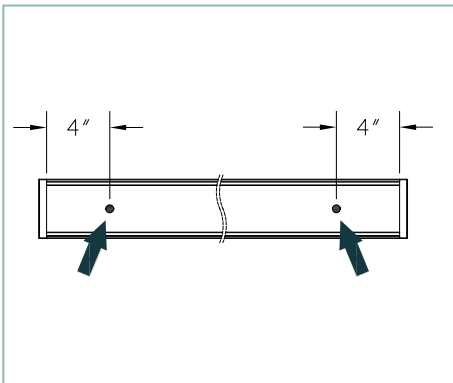
LGP INSTALLATION AND REMOVAL INSTRUCTIONS

FOR MEO WALL WASH GO TO PAGE 7

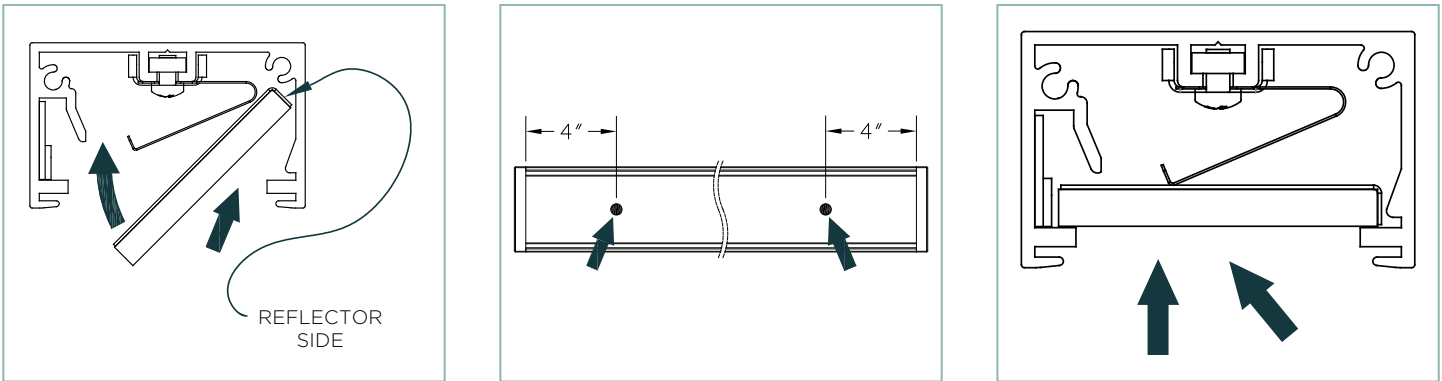
1. Diffuser removal. Insert included MEO Optic Tool between diffuser and endcap and gently pry the diffuser. Gently pull diffuser down and away.



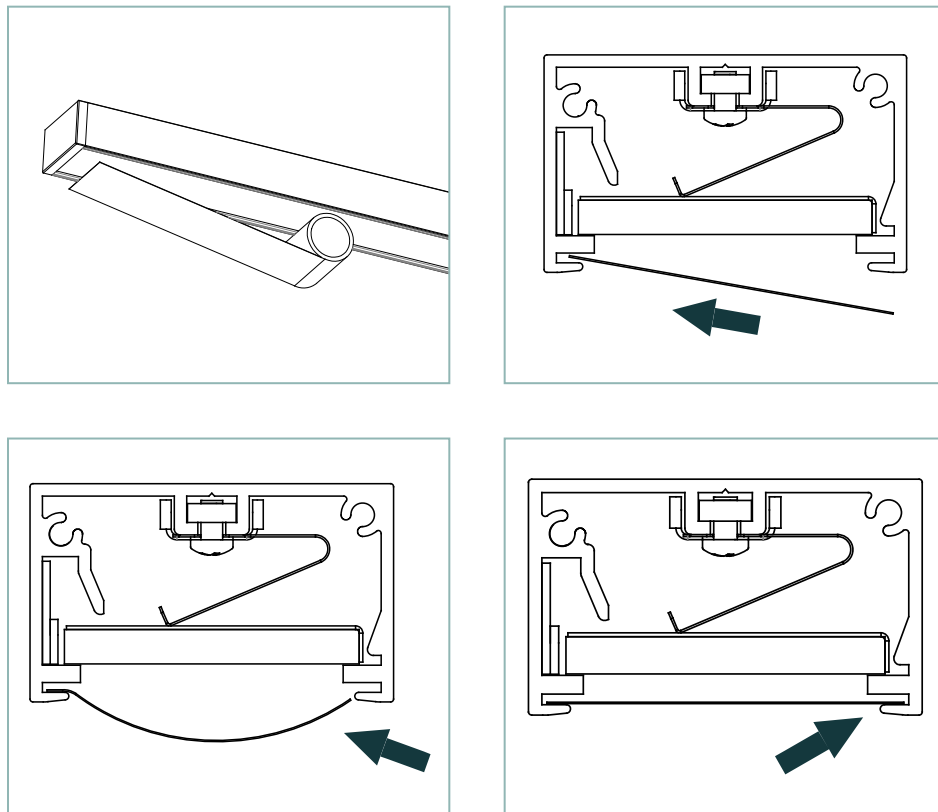
2. LGP (Light Guide Plate) removal. Utilizing the Extant Tool-Less Push & Eject System push on LGP approximately 4" from each end. You will notice the side closest to the led only moves a small distance. Continue pushing on the side opposite the LED until the LGP is released. You may have to push on the LGP several times to release it. Note: it helps to moisten fingertips slightly during this process.



3. LGP installation. Insert LGP with the reflector side opposite the LED at approximately 45 degrees. Push LGP approximately 4" from each end to compress Tool-Less Push to Eject System and push towards LED. Push LGP several times up and towards the LED to ensure it is seated properly. Note: it helps to moisten fingertips slightly during this process.



4. Diffuser installation. Start with diffuser rolled up. Unroll 9-12 inches and insert one side of diffuser into the channel of the extrusion. Squeeze diffuser causing it to curve outward and insert opposite side into channel. Slide fingers along diffuser to insert into channels as you unroll it. Continue this process until diffuser is fully installed. For long fixtures or runs tape the beginning of the diffuser to the end cap with a removable type tape such as blue painters tape.

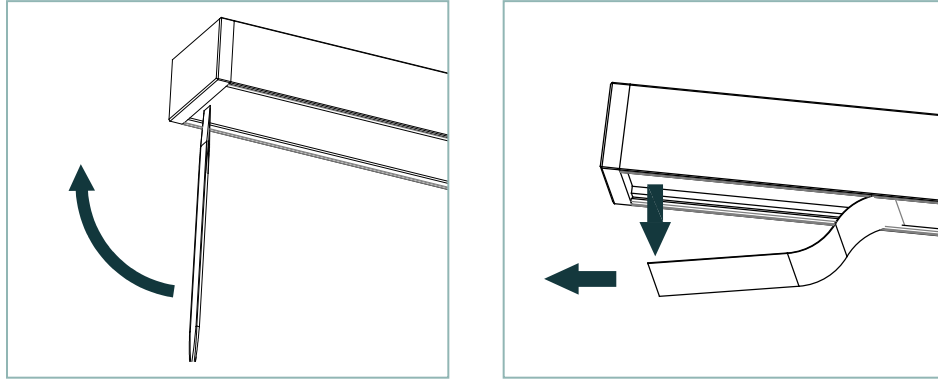


* Due to our culture of always striving for product enhancement, specifications and information within this document are subject to change without notice. 2020 Extant Lighting, Inc. All rights reserved.

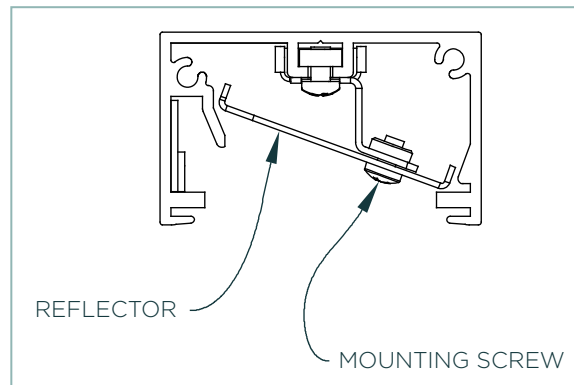


ASYMMETRIC REFLECTOR INSTALLATION AND REMOVAL INSTRUCTIONS

1. Diffuser removal. Insert included MEO Optic Tool between diffuser and endcap and gently pry the diffuser. Gently pull diffuser down and away.

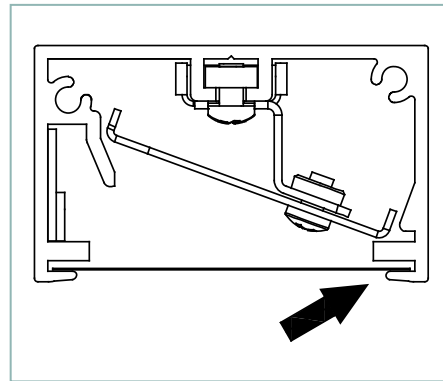
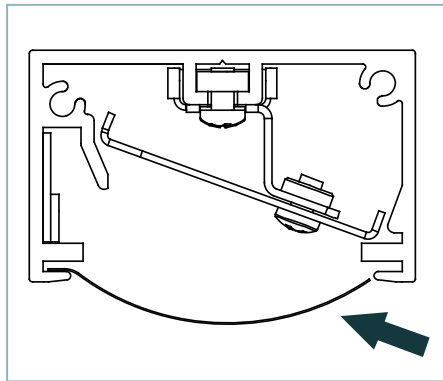
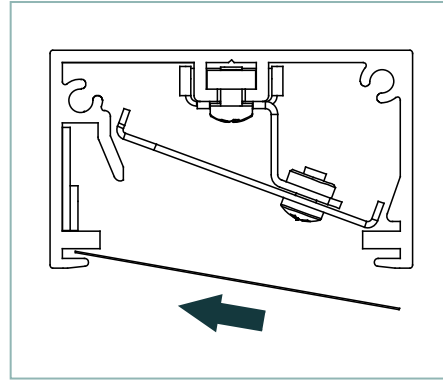
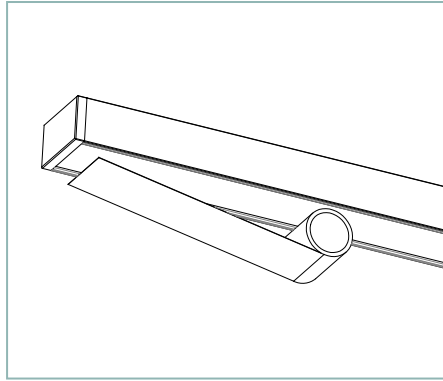


2. Reflector removal. Remove mounting screws and remove reflector.



3. Reflector installation. Place reflector on mounting brackets and install mounting screws.

- Diffuser installation. Start with diffuser rolled up. Unroll 9-12 inches and insert one side of diffuser into the channel of the extrusion. Squeeze diffuser causing it to curve outward and insert opposite side into channel. Slide fingers along diffuser to insert into channels as you unroll it. Continue this process until diffuser is fully installed. For long fixtures or runs tape the beginning of the diffuser to the end cap with a removable type tape such as blue painters tape.



* Due to our culture of always striving for product enhancement, specifications and information within this document are subject to change without notice. 2020 Extant Lighting, Inc. All rights reserved.

