

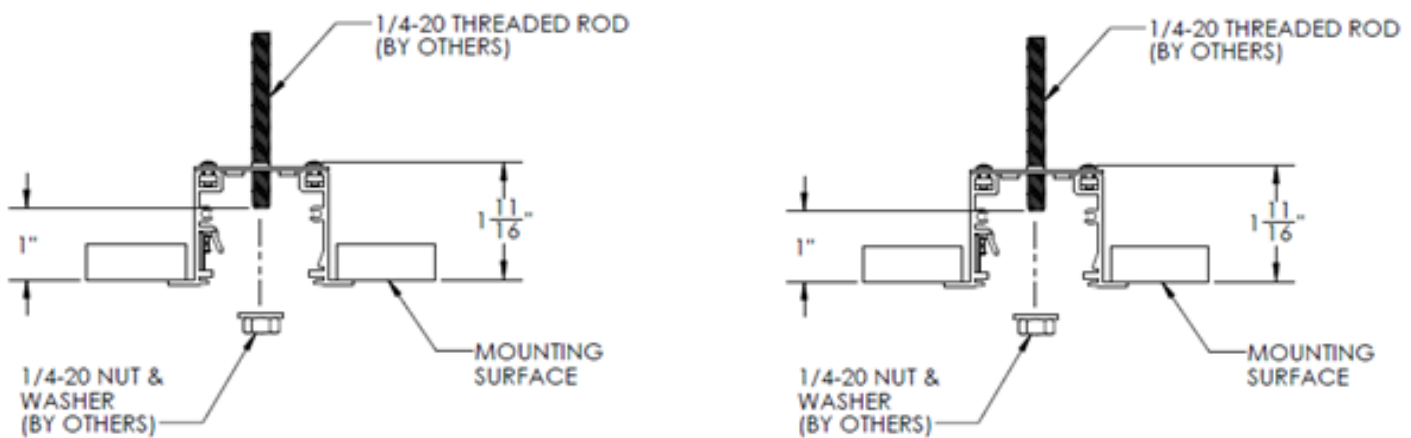
## RECESSED TRIM FLANGE - LOPRO - REMOTE DRIVER

TRIM FLANGE (TFSA, TFWP, TFBP, TFCC)

**WARNING!** RISK OF FIRE AND ELECTRICAL SHOCK. THIS PRODUCT MUST BE INSTALLED IN ACCORDANCE WITH THE NATIONAL ELECTRICAL CODE AND ALL LOCAL CODES BY A QUALIFIED ELECTRICIAN. DISCONNECT POWER AT ELECTRICAL PANEL BEFORE INSTALLING OR SERVICING.

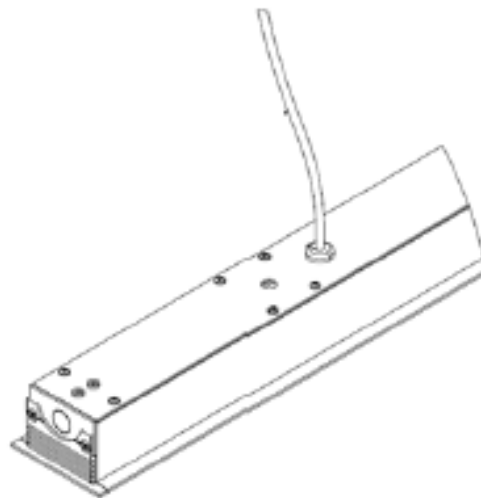
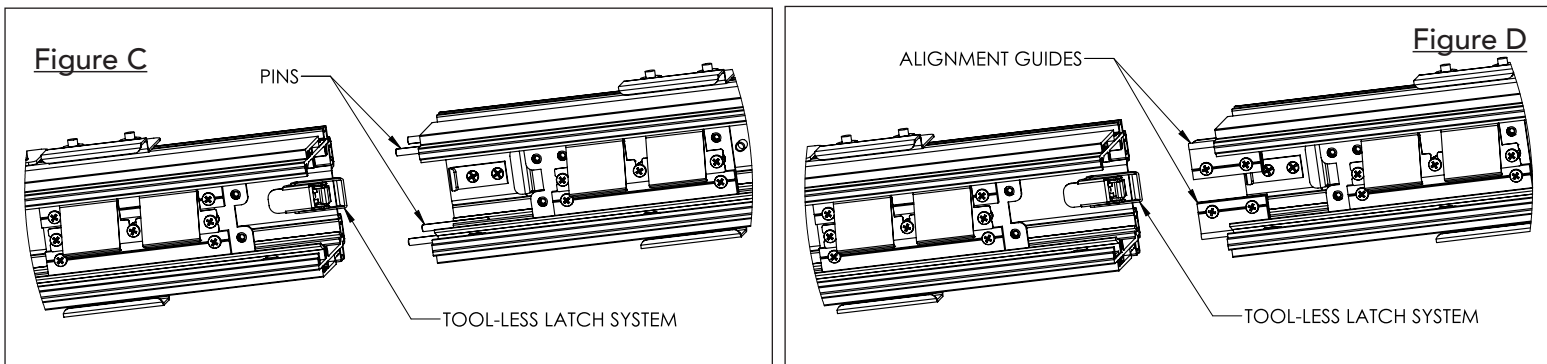
All wiring must be in accordance with the National Electrical Code and all local codes. Grounding must be in accordance with NEC article 250.

Reference appropriate Continuous Row Detail for Mounting Centers, plenum rated cable locations and fixture lengths for your fixture. These Continuous Row Detail pages, and relevant Wiring Diagrams can be found at [www.extantlighting.com](http://www.extantlighting.com) on each product page, for the appropriate mounting version, as well as these installation instructions.



1. Determine mounting method, 1/4-20 threaded rod, nut & washer (by others) or 1/4" lag bolt & washer (by others).
2. Make rough-in cutout in surface for the fixture. Refer to the continuous row detail for rough-in width and length.
3. Install structure above rough-in cutout over fixture mounting points. Refer to continuous row detail for mounting centers. For 1/4-20 threaded rod method, attach threaded rods to structure.
4. Remove MEO optic (if installed) and all Light Guide Plate/Reflector assemblies (see Light Guide Plate/Reflector removal and installation instructions).
  - a. For stand-alone fixtures continue to step 5. For continuous rows skip to step 6.
5. Insert fixture into opening and secure with 1/4-20 nuts & washers on the 1/4-20 threaded rods (by others) or 1/4" lags bolts & washers (by others). Warning: Do not over tighten as this may distort the fixture. Skip to step 10.
6. For continuous rows, insert starter fixture into opening. Install 1/4-20 nuts & washers on the 1/4-20 threaded rods (by others) or 1/4" lag bolts & washers (by others) but do not completely tighten.
7. Install Remote Driver(s). Connect plenum rated cable (10' provided as standard) from fixture to Remote Driver using the 7/8" reducer bushing and strain relief. Bring line voltage and ground to Remote Driver and make up wires.



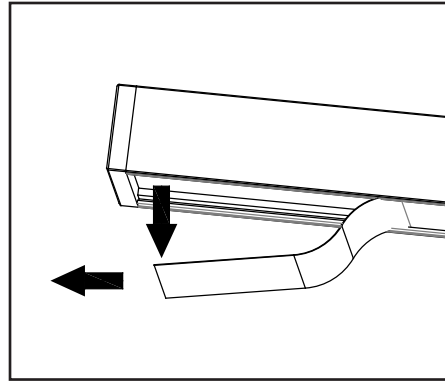
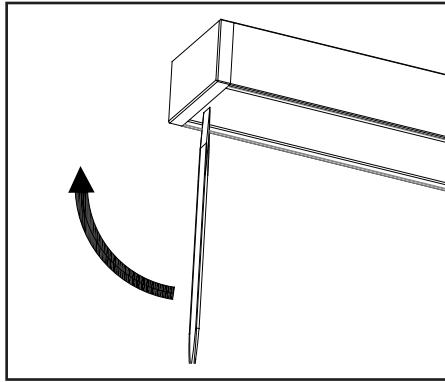


7. Insert Middle fixture(s) into opening. Install 1/4-20 nuts & washers on the 1/4-20 threaded rods (by others) or 1/4" lag bolts & washers (by others) but do not completely tighten. Loosen Alignment Guides and slide them halfway between fixture sections. Secure with Tool-Less Latch System and tighten Alignment Guides.
8. Insert End fixture into opening. Install 1/4-20 nuts & washers on the 1/4-20 threaded rods (by others) or 1/4" lag bolts & washers (by others) but do not completely tighten. Loosen Alignment Guides (Figure D) and slide them halfway between fixture sections. Secure with Tool-Less Latch System and tighten Alignment Guides.
9. Tighten all 1/4-20 nuts & washers on the 1/4-20 threaded rods or 1/4" lag bolts & washers. Warning: Do not over tighten as this may distort the fixtures.
10. Install Remote Driver(s). Connect plenum rated cable from fixture to Remote Driver using the 7/8" reducer bushing and strain relief. Bring line voltage and ground to Remote Driver and make up wires.
11. Ensure the Light Guide Plate/Reflector assemblies are free of dirt, smudges, and debris. If needed, the acrylic portion can be cleaned with warm water with a little bit of hand soap/dish soap mixed in. (DO NOT USE GLASS CLEANER ON THE ACRYLIC LIGHT GUIDE PLATE).
12. Install Light Guide Plate/Reflector assemblies (see Light Guide Plate/Reflector removal and installation instructions). Ensure Light Guide Plate/Reflector assembly joints are tight. If needed, use the plastic Pry Tool (supplied) to insert between the end of the Light Guide Plate/Reflector assembly in the last fixture and end cap, giving a small pry to shift all Light Guide Plate/Reflector assemblies for entire run, so they are tight. Install the MEO optic.

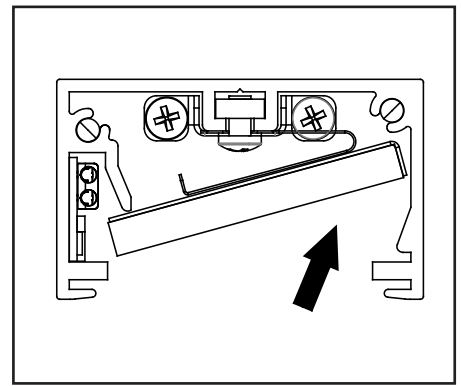
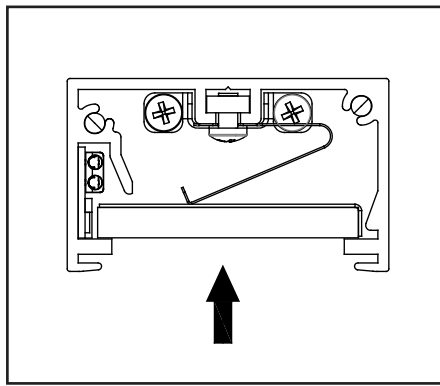
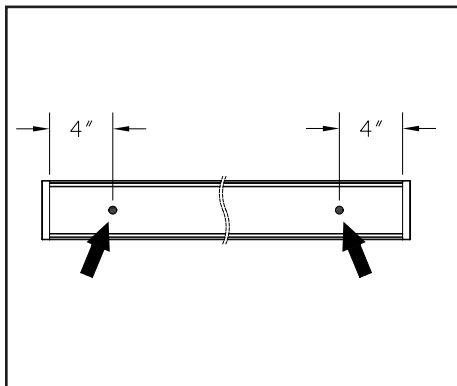


**LGP INSTALLATION AND REMOVAL INSTRUCTIONS**

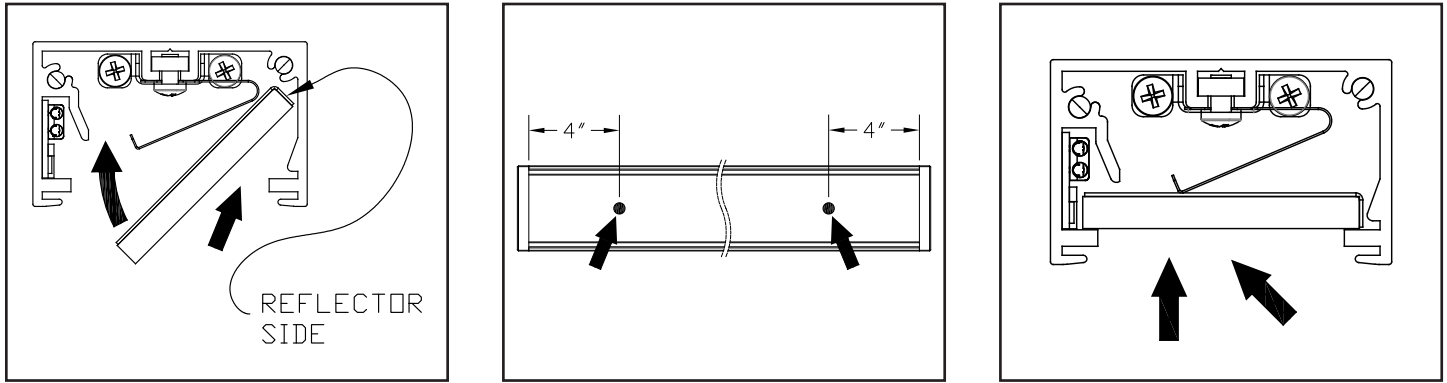
1. Diffuser removal. Insert included tool between diffuser and endcap and gently pry the diffuser. Gently pull diffuser down and away. Alternatively, the MEO Optic Tool provided can be used.



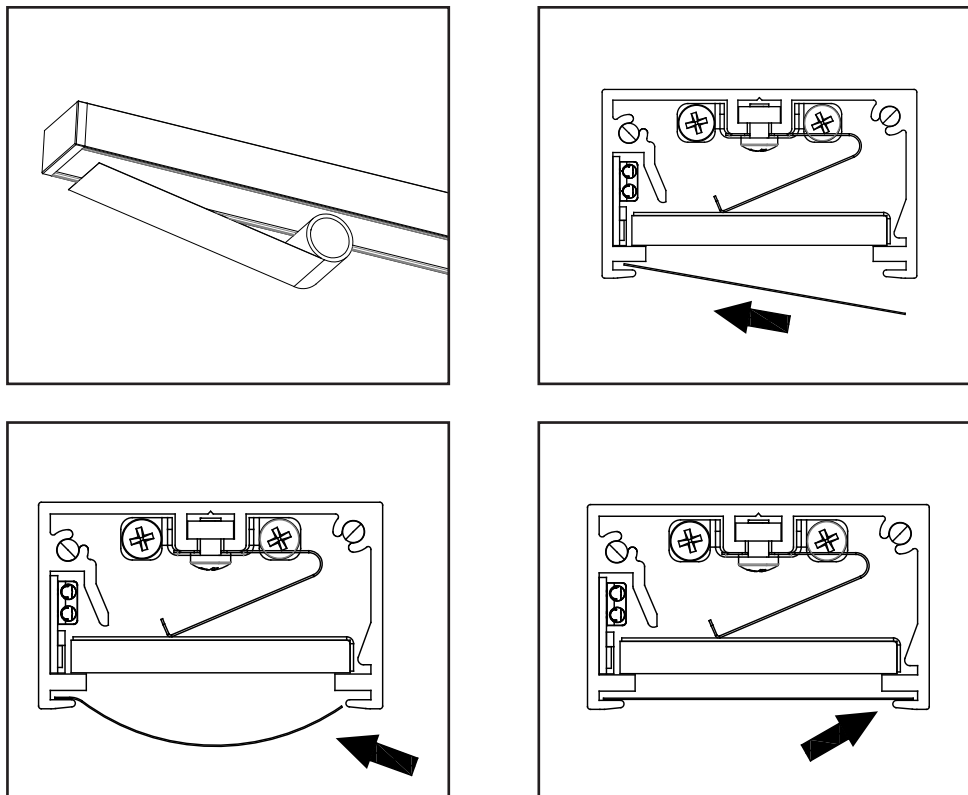
2. LGP (Light Guide Plate) removal. Utilizing the Extant Tool-Less Push & Eject System push on LGP approximately 4" from each end. You will notice the side closest to the led only moves a small distance. Continue pushing on the side opposite the LED until the LGP is released. You may have to push on the LGP several times to release it. Note: it helps to moisten fingertips slightly during this process.



3. LGP installation. Insert LGP with the reflector side opposite the LED at approximately 45 degrees. Push LGP approximately 4" from each end to compress Tool-Less Push to Eject System and push towards LED. Push LGP several times up and towards the LED to ensure it is seated properly. Note: it helps to moisten fingertips slightly during this process.



4. Diffuser installation. Start with diffuser rolled up. Unroll 9-12 inches and insert one side of diffuser into the channel of the extrusion. Squeeze diffuser causing it to curve outward and insert opposite side into channel. Slide fingers along diffuser to insert into channels as you unroll it. Continue this process until diffuser is fully installed. For long fixtures or runs tape the beginning of the diffuser to the end cap with a removable type tape such as blue painters tape.



\* Due to our culture of always striving for product enhancement, specifications and information within this document are subject to change without notice. 2020 Extant Lighting, Inc. All rights reserved.

