



Huntington 1 Series

HTG-1PR-LP

LOPRO FLUSH PERIMETER

Brilliant by Design™, the Huntington 1 LoPro Flush Perimeter is a precisely engineered, 1.5" solution to meet the complexity of illuminating the connection of the ceiling and wall. Our patented Microstructure EdgeTech Optics™ (MEO) technology delivers unparalleled optic control, low glare visual comfort, exceptional performance, seamless illumination, and uniformity in unprecedented low-profile behind ceiling depths. Lens gaps, pixelation and hot spots are a thing of the past with our innovative Dual Lens Edge-lit MEO™ technology.

FEATURES

- Available in Trimless, Trim Flange, and T-Grid mounting options.
- Low profile depth behind ceiling for use in any plenum installation:
 - 2.85" - 3.05" Depth
- Design without compromise: Specify Glare Control, Diffused (Lambertian) or Room Fill Optics.
- Specified Lumen Outputs (SLO) available up to 1480 lm/ft.
- MEO™ allows for minimalistic 1.5" aperture fixtures with extremely low profiles.
- Individual fixture lengths and seamless continuous runs with no lens breaks up to 250 feet.
- Drivers, wiring and serviceability completely accessible from below ceiling with our patented toolless "Push to Eject" system.
- Toolless Latch System and Quick-Click 5 Wire system allows for simple, quick, and seamless installation.
- 90+ CRI as a standard with Tunable White available.
- Proudly crafted in Huntington Beach, CA - USA.
- BABA compliant in most configurations. Consult factory for details.



Performance Overview

4' Huntington 1 Direct - 3500K 90CRI MEODF				
Lumen Output	LL (Low)	ML (Medium)	HL (High)	SLO* (Specified)
Delivered Lumens	772	1908	3760	772-5920
Consumed Wattage	7	18	38	7.3 - 65.6
Efficacy (lm/w)	105	105	99	90-105
SDCM	3	3	3	3

*Specified Lumen Output (SLO) available in customizable lumen configurations (772 lm - 5920 lm). See SLO Configurator on product page.



ORDERING INFORMATION

Project: _____

Date: _____ Type: _____

Product Family	Driver Location	Trim*	Length	Lumen Output	Optics
HTG-1PR-LP Huntington LoPro Series 1.5" Aperture Flush Lens Perimeter	TD Integral Driver	TRIM FLANGE TFSA Trim Flange - Silver Anodized TFWP Trim Flange - Matte White TFBP Trim Flange - Matte Black TFCC Trim Flange - Custom Color TRIMLESS SF Spackle Flange (Mud-in) T-GRID L1 15/16" Grid Lay-in System** L9 9/16" Grid Lay-in System** T1 15/16" Grid Tegular System** T9 9/16" Grid Tegular System** SB Bolt Slot Grid System** AI Armstrong Interlude/USG Identitee** *Consult factory for additional mounting configurations. **White finish is standard on all T-Grid (Suspended Ceiling) trim options (L1, L9, T1, T9, SB and AI). Consult factory for additional finish options.	____ Specify Length* PC Custom Patterns Inside/Outside Corners** *Minimum fixture length is 2'. *Any length over 8' requires multiple fixture segments. **Contact Factory for Custom Patterns or inside/outside miters	DLL Low (193 lm/ft @ 1.84 lm/w)* DML Medium (477 lm/ft @ 4.55 lm/w)* DHL High (940 lm/ft @ 9.46 lm/w)* SLO-XX Specified Lumen Output available.** *Delivered lumen output & consumed wattage based on "MEODF 35" (90 CRI - 3500K). See SLO Configurator for alternate outputs. **See SLO Configurator at ExtantLighting.com for appropriate "XX" output.	MEQ MEODF Diffusing MEOGC Glare Control MEORF Room Fill

Shielding	Color Temp	Voltage	Driver	Options
FL Flush Lens	27 2700K 30 3000K 35 3500K 40 4000K 50 5000K TW 2700K-6500K (85+ CRI) XX Optional Color Temp & CRI Available 90+ CRI is standard unless otherwise noted.	VU 120V-277V V3 347V	D 1% 0-10V* DN Non Dim DELV 1% Electronic Low Voltage Dimming (Reverse Phase dimming-120V only) DTRIAC 1% Electronic Low Voltage Dimming (Forward Phase dimming-120V only) DL1 Lutron Hi-Lume 1% EcoSystem DE 1% 0-10V DD1 1% DALI DDE 1% DALI DMX 1% DMX/RDM DTW 1% 0-10V Tunable White DT8 1% DALI Tunable White XX Other (Please Specify) *Dim to Off available. Please Specify "-OFF" next to driver option if required.	EMC_ Emergency Circuit(s)* EMB_ Emergency Battery Pack(s)* SOC Occupancy Sensor* SDL Daylight Sensor* BCS Brilliant Communications Solutions (wired/wireless)* MTC Multiple Circuit(s) (Daylight, Occupancy, Zone Specific)* JA8 JA8 Compliant CP Chicago Plenum Approved *EMC: Specify quantity of emergency circuits per run. *EMB: Specify quantity of battery packs per run. Minimum 4' unit. *SOC & SDL: Specify spacing/location of sensor(s). *MTC: Circuit location(s) to be identified through factory supplied drawings *BCS: Includes wired & wireless integration from our partners at nLight™, enlightened, Legrand, Crestron, Osram, Lutron & many more.



Specifications

CONSTRUCTION Heavy gauge 6063 extruded aluminum housing.

OPTICS Microstructure EdgeTech Optics (MEO™) utilizes high efficiency Microstructure Lenses and Light Guide Plates for high optical extraction and precise light management. Specify Glare Control, Diffused (Lambertian), or Room Fill Optics.

LIGHT OUTPUT (3) Standard lumen packages are available: Low (DLL), Medium (DML) and High (DHL). Specified Lumen Output (SLO) packages available. Please see the (SLO) configurator at ExtantLighting.com.

LEDS Latest generation of premium Nichia 3-step MacAdam Ellipse LED's available in (90+ CRI) 2700K, 3000K, 3500K, 4000K, and 5000K. Tunable White available. LED modules are easily accessible and replaceable.

VOLTAGE Universal 120/277V (VU) and 347V (V3) available. Consult factory for driver options when 347V is specified.

EMERGENCY BATTERY Factory provided low profile 6.5W emergency battery for UL924 required 90-minute run time.

FINISH Standard finishes include coated silver, powder coated matte white or powder coated matte black. White powder coat finish standard on all T-Grid trim options. Custom powder coated finishes available (RAL number matched).

CONTINUOUS ROWS Innovative Toolless Latch System ensures simple installation. Seamless continuous rows with no lens breaks, pixelation or hotspots up to 250 feet.

PATTERNS Custom shapes and inside/outside mitered corners available.

MOUNTING Perimeter Spackle Flange, Trim Flange, 15/16" or 9/16" Grid Lay-in, 15/16" or 9/16" Grid Tegular, Bolt Slot or Armstrong Interlude/USG Identitee.

APPROVALS UL and cUL Listed. Approved for Dry/Damp locations. IC Rated. Made in the USA. BABA compliant in most configurations. Chicago Plenum Approved. JA8 Approved.

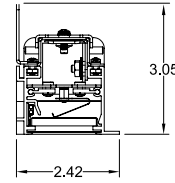
LUMEN MAINTENANCE (L70) 70% of initial light output = Reported > 60,000 hours | Calculated > 200,000 hours (L90) 90% of initial light output = Reported > 60,000 hours | Calculated > 200,000 hours.

SHIELDING Flush lens available.

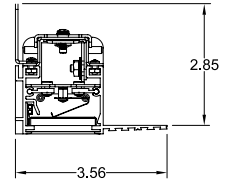
WARRANTY All Extant fixtures offered with a 5-year limited warranty which covers LED, driver and fixture. For further details, refer to General Warranty and Obligations at ExtantLighting.com.

PATENTS Extant Lighting's intellectual property is protected under Patent No. US 11,378,262 B2 and 12,007,101 B2 by the U.S. Patent Office.

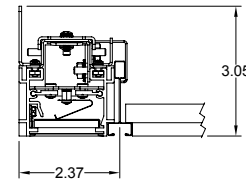
Dimensions



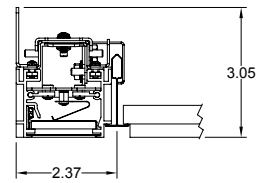
TF



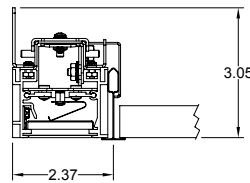
SF



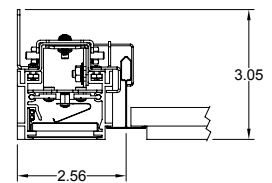
SB



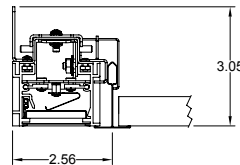
T9



L9



T1



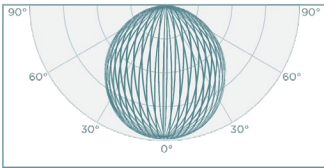
L1



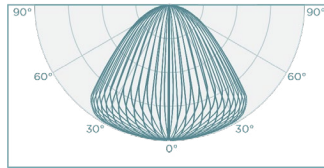
Microstructure EdgeTech Optics (MEO)™

Our innovative MEO™ design utilizes high efficiency Microstructure Lenses and Light Guide Plates for high optical extraction and precise light management. MEO™ delivers exceptional light quality with seamless illumination and uniformity with no pixelation, hot spots or lens breaks up to 250' continuous rows.

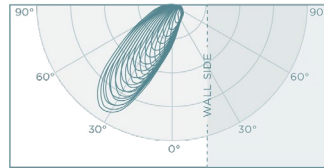
DIRECT



MEODF
LAMBERTIAN



MEOGC
GLARE CONTROL



MEORF
ROOM FILL

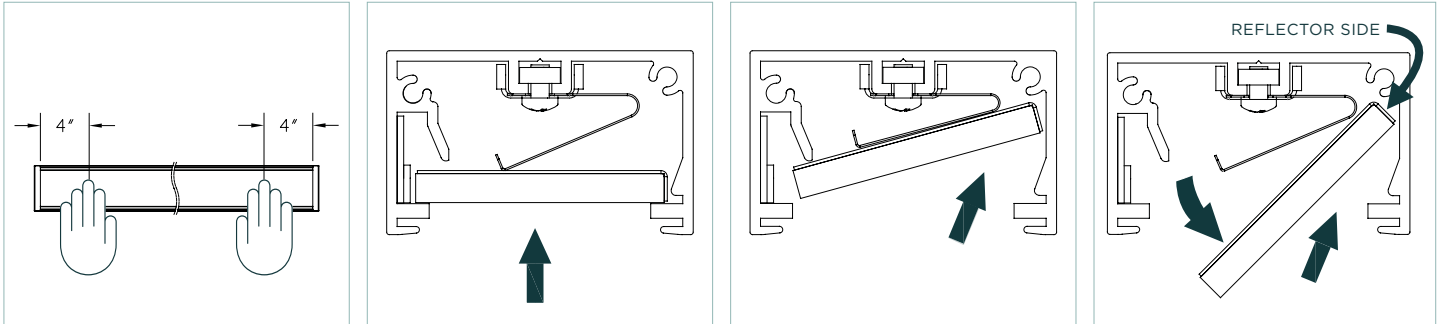


Installation

Thoughtful engineering is at the core of all of our fixture designs. All of our products are thoughtfully engineered and include innovative features that create a sophisticated fixture that is also contractor friendly and easy to install and service.

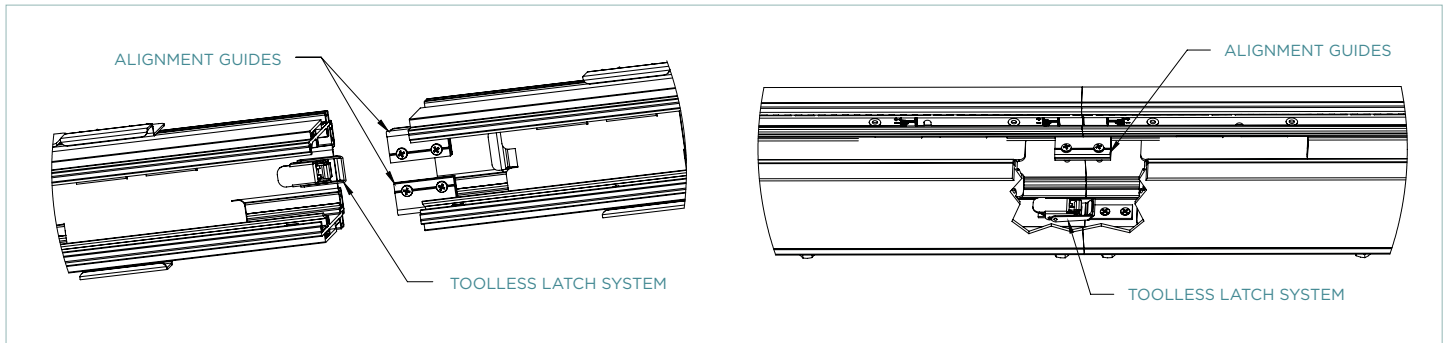
PUSH TO EJECT SYSTEM

Innovative “Push to Eject” system allows for toolless removal and installation of the Light Guide Plate. This thoughtful engineering creates easy access into the housing for simple installation and serviceability.



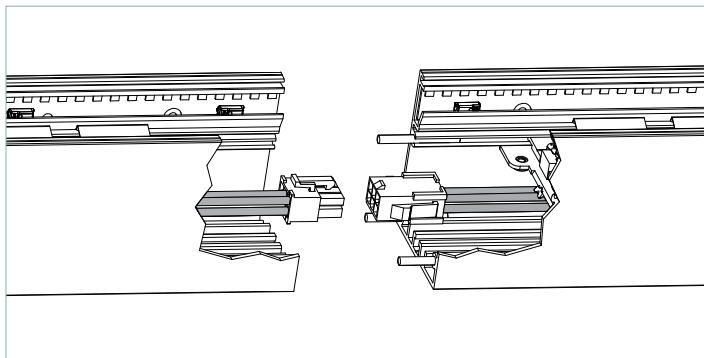
TOOLLESS LATCH SYSTEM

Our Toolless Latch system is designed to securely connect the extrusions of the continuous runs without the use of any tools, screws or external parts. Our innovative design allows the contractor to perfectly align the extrusion with the built-in alignment guides and cinch up the extrusion with the Toolless Latch system for a tight fit. The Toolless Latch system eliminates gaps and ensures perfect alignment.



QUICK-CLICK THRU-WIRE SYSTEM

Our integral driver Quick-Click Thru-Wire system connects the continuous run through wiring with a simple push and click connection. The Quick-Click system is contractor friendly and decreases installation time and cost and ensures proper wiring.



MEO™ OPTIC

MEO™ design utilizes high efficiency extraction and precise light management. MEO™ lens must be installed to ensure proper performance.

