

PERIMETER 3" & 1.75" REGRESS SPACKLE FLANGE

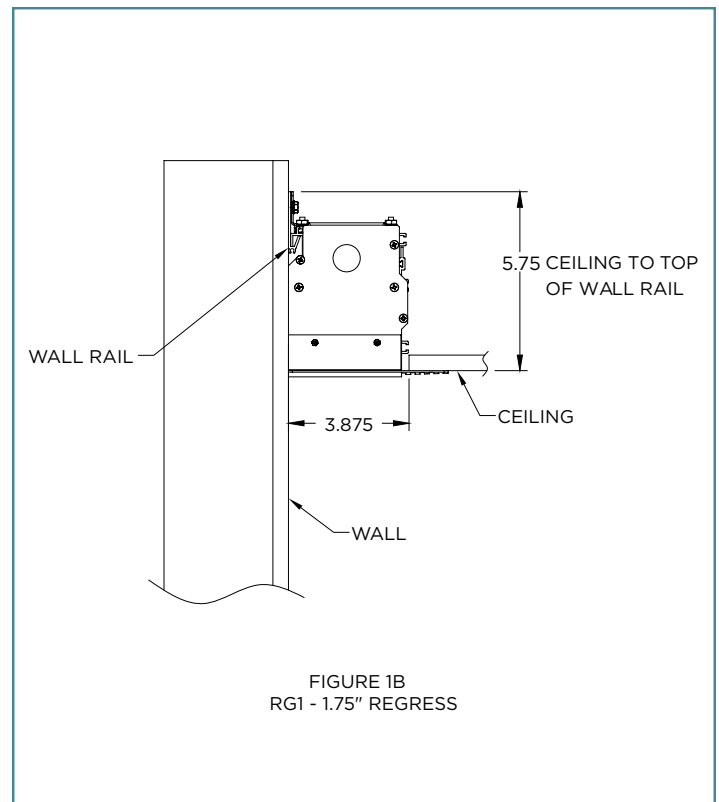
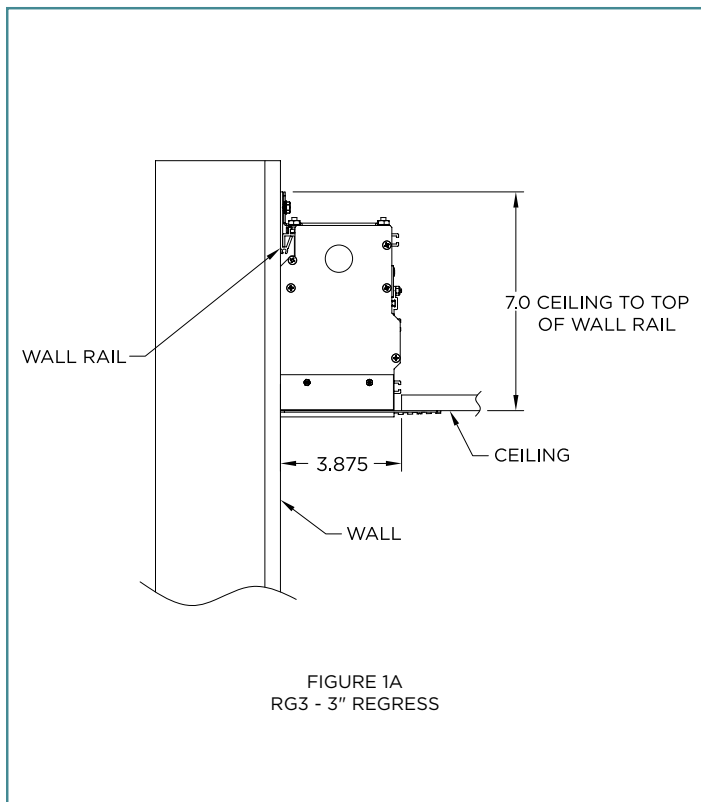
WARNING! RISK OF FIRE AND ELECTRICAL SHOCK. THIS PRODUCT MUST BE INSTALLED IN ACCORDANCE WITH THE NATIONAL ELECTRICAL CODE AND ALL LOCAL CODES BY A QUALIFIED ELECTRICIAN. DISCONNECT POWER AT ELECTRICAL PANEL BEFORE INSTALLING OR SERVICING.

All wiring must be in accordance with the National Electrical Code and all local codes. Grounding must be in accordance with NEC article 250.

Reference appropriate Continuous Row Detail for Mounting Centers, AWM locations and fixture lengths for your fixture. These Continuous Row Detail pages, and relevant Wiring Diagrams can be found at www.extantlighting.com on each product page, for the appropriate mounting version, as well as these installation instructions.

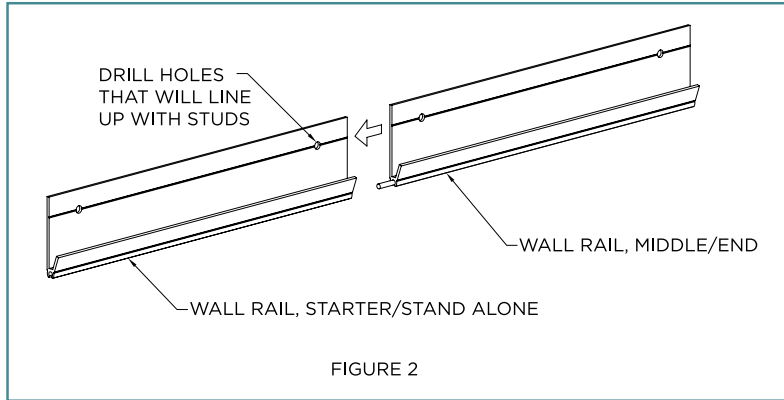
FIXTURES MUST BE INSTALLED PRIOR TO HANGING CEILING.

FINISHED WALL MUST EXTEND ABOVE CEILING (FIGURES 1A & 1B).

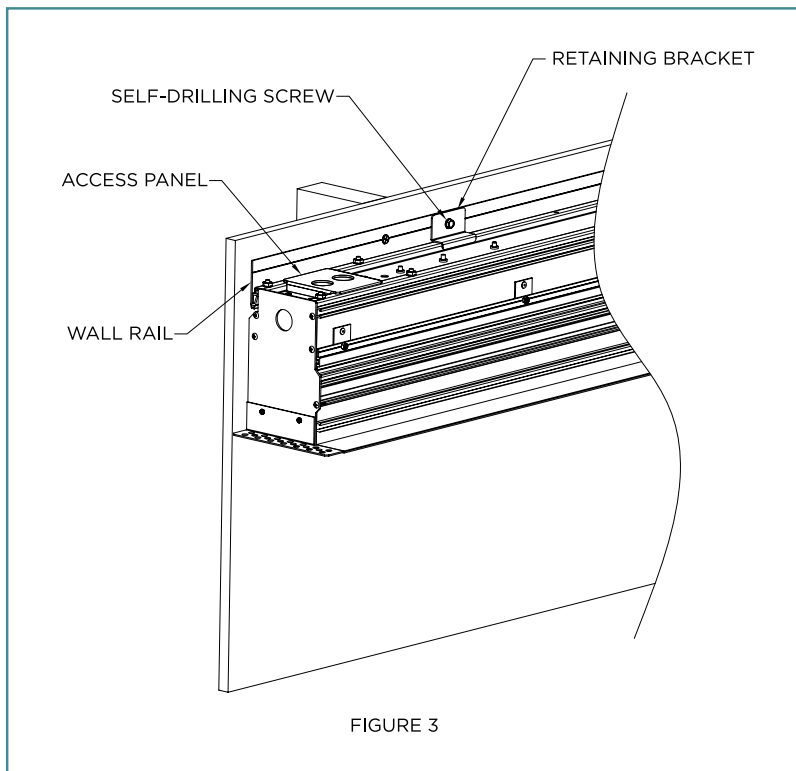


1. Prepare Wall Rail by drilling mounting holes that will line up with wall studs (Figure 2).



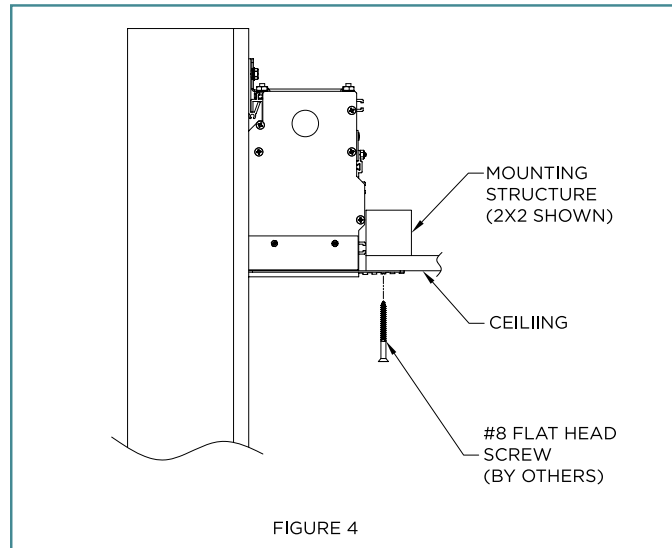


2. Attach Wall Rail(s) to wall. For Continuous Rows, Middle and End Wall Rails include an alignment pin (Figure 2).
3. Hang Stand-Alone or Starter Fixture on Wall Rail and secure with Retaining Brackets using provided Self-drilling Screws (Figure 3). Use one Retaining Bracket on each end of fixture 6"-12" from end.

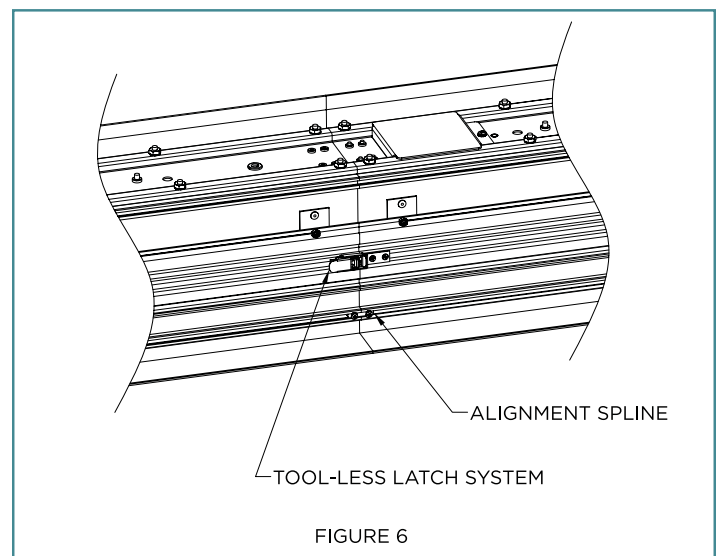
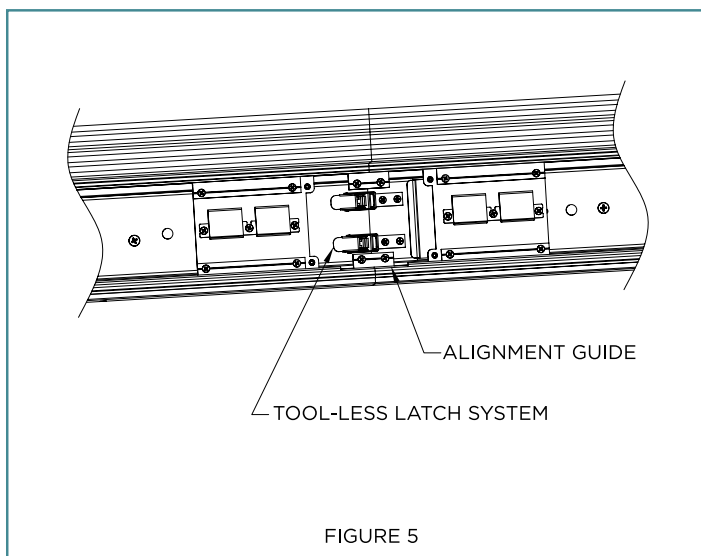


4. Remove feed wire Access Panel (Figure 3) from back of Stand-Alone or Starter fixture, pull out feed wires through opening, connect conduit fitting (conduit and fittings by others) using the 1/2" KO on back of Access Panel and make up feed connections following provided Wiring Diagram. Gently push wire connections back into luminaire and re-attach Access Panel.
 - For Stand-Alone fixtures continue to step 5. For Continuous Rows skip to step 7.

5. Install ceiling and mounting structure (Figure 4).



6. Secure Fixture with #8 flat head screws (by others) suitable for mounting structure. **IMPORTANT NOTE:** Ensure that the screws are installed straight so they sit flush with the Spackle Flange. **Warning: DO NOT OVER TIGHTEN SCREWS** If screws are not in straight or overtightened, fixture opening can be affected, not allowing Light Guide Plate/Reflector Assembly or MEO™ Optic to fit properly. Note: Keep Protective Cardboard in place to keep the internals clean while mudding and painting. Skip to step 16.
7. For Continuous Rows, remove Protective Cardboard and all Light Guide Plate/Reflector Assemblies (see Light Guide Plate/Reflector Assembly Removal and Installation Instructions). Be sure not to damage the Protective Cardboard, as you will re-install it to protect the LED boards when mudding and painting.
8. Hang Middle Fixture(s) on Wall Rail. Install Retaining Brackets using provided self-drilling screws but do not completely tighten screws yet. Use one Retaining Bracket on each end of fixture segment 6"-12" from end.
9. Loosen Alignment Guides and Alignment Spline. Slide them halfway between Starter and Middle fixtures. Secure with Tool-Less Latch System (Figures 5 & 6). Tighten Alignment Guides and Alignment Splines. Make thru-wire connections between fixtures. Tighten Retaining Brackets.



10. Hang End Fixture on Wall Rail. Install Retaining Brackets using provided self-drilling screws but do not completely tighten screws yet. Use one Retaining Bracket on each end of fixture segment 6"-12" from end.
11. Loosen Alignment Guides and Alignment Spline. Slide them halfway between Middle and End fixtures. Secure with Tool-Less Latch System (Figures 5 & 6). Tighten Alignment Guides and Alignment Splines. Make thru-wire connections between fixtures. Tighten Retaining Brackets.
12. Install ceiling and structure (Figure 4).
13. Secure Fixtures with #8 flat head screws (by others) suitable for mounting structure. Ensure that the screws are installed straight so they sit flush with the Spackle Flange. Warning: if screws are not in straight, fixture opening can be affected, not allowing Light Guide Plate/Reflector Assembly or MEO™ Optic to fit properly.
14. Install Light Guide Plate/Reflector Assemblies (see Light Guide Plate/Reflector Assembly Removal and Installation Instructions).
15. Install Protective Cardboard. Use masking tape to cover seams between Protective Cardboard sections.
16. Mud, sand, texture and paint the ceiling and wall.
17. Remove Protective Cardboard ensuring there is no mud, debris, dust or paint build up in the MEO™ Optic channel.
18. Ensure the Light Guide Plate/Reflector Assemblies are free of dirt, smudges and debris. If needed, the acrylic portion can be cleaned with a solution of warm water and a small amount of dish soap. (DO NOT USE GLASS CLEANER ON THE ACRYLIC LIGHT GUIDE PLATE).
19. Install the MEO™ Optic (if not installed yet).

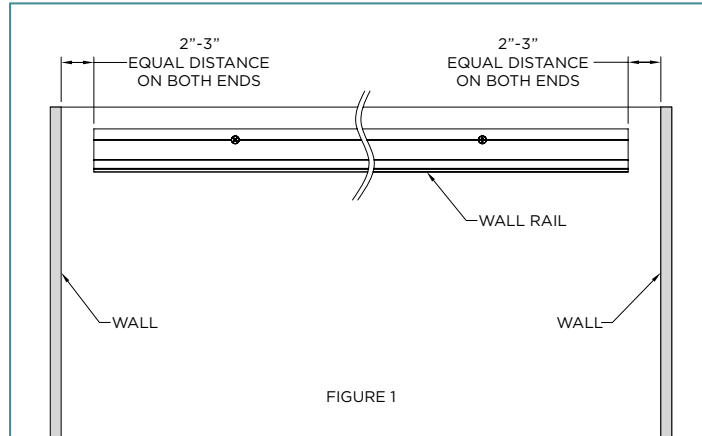
***SEE SUPPLEMENTAL INSTRUCTIONS ON THE FOLLWING PAGES FOR THE "FCW" FIELD CUTTABLE HOUSING INSTALLATION**

****SEE SUPPLEMENTAL INSTRUCTIONS ON THE WALL GRAZER OPTICS**

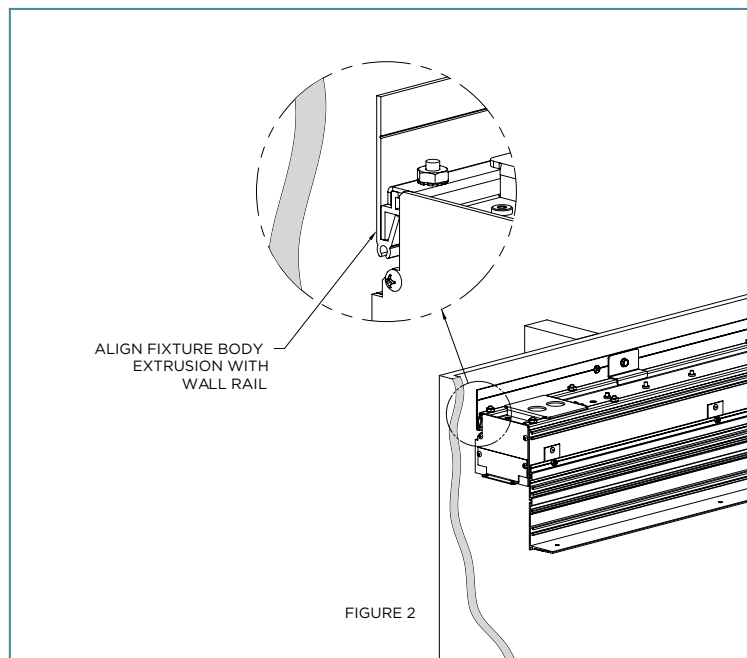


**SUPPLEMENTAL NOTES FOR “FCW” FIELD CUTTABLE HOUSING INSTALLATION:
WALL-TO-WALL FIELD CUTTABLE PERIMETER REGRESS SPACKLE FLANGE**

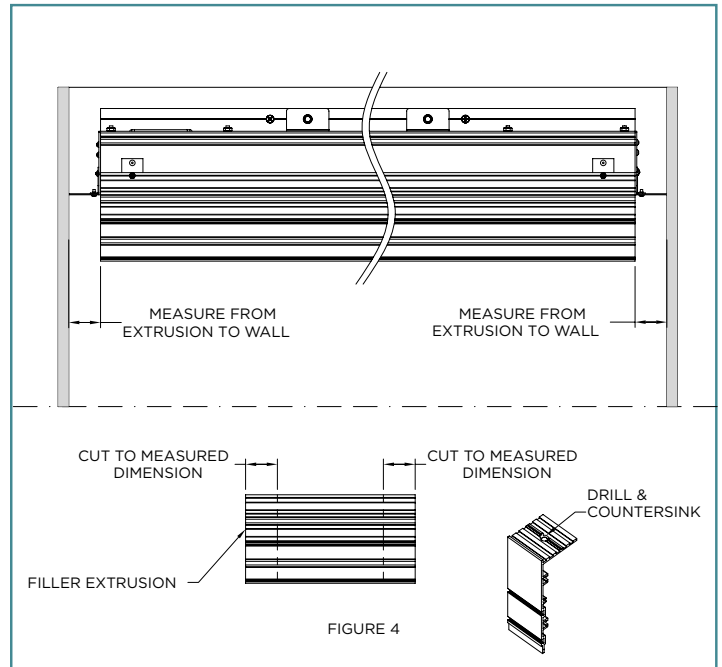
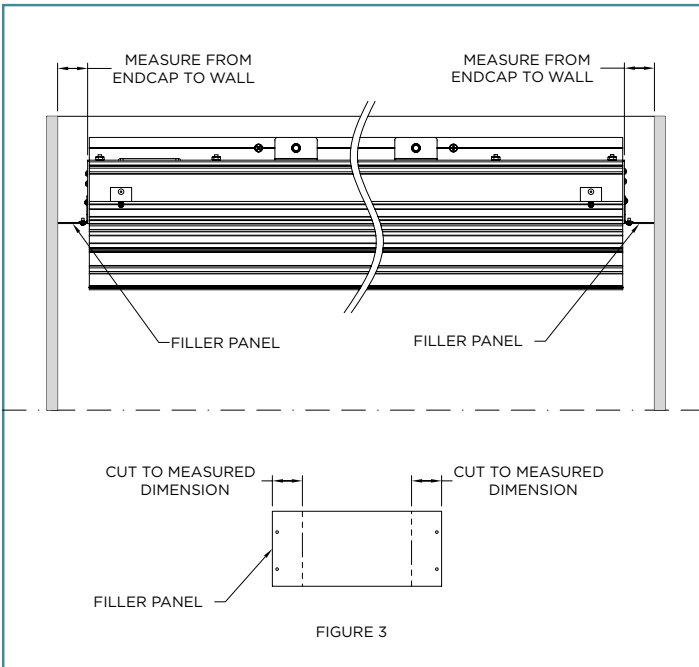
1. Attach Wall Rail(s) to wall. Follow the standard Perimeter Regress instructions and ensure Wall Rails are centered between the adjacent walls (FIGURE 1). The distance from Wall Rail to adjacent wall should be 2”-3”.



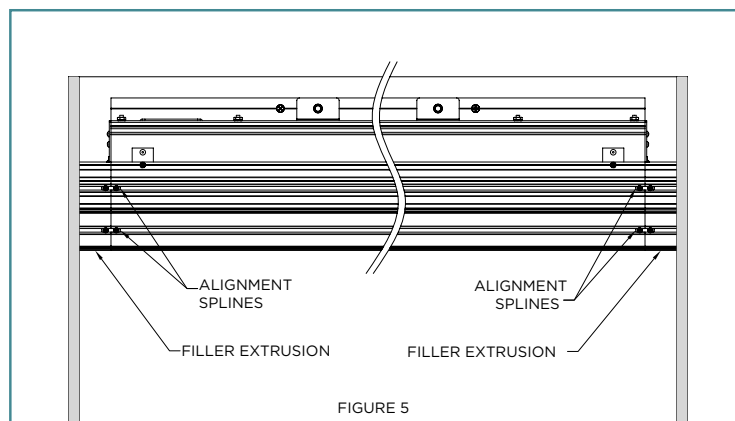
2. Hang Fixtures on Wall Rail. Follow the standard Perimeter Regress instructions and align the left side of the Fixture Body Extrusion with the Wall Rail (Figure 2).



3. Check to see that both ends of the Fixture Run are approximately equal distance from their adjacent walls. Reposition if needed. It is recommended to leave 2"-3" between end caps and adjacent walls to reduce overlighting the walls.
4. Measure from Endcaps to adjacent walls. Cut Filler Panel and install on each end (Figure 3).
5. Measure from Extrusion to adjacent walls. Cut Filler Extrusion to measured length. Drill & countersink (Figure 4).

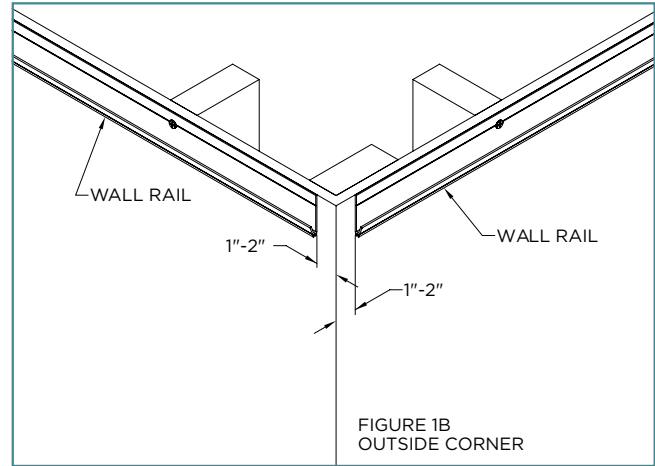
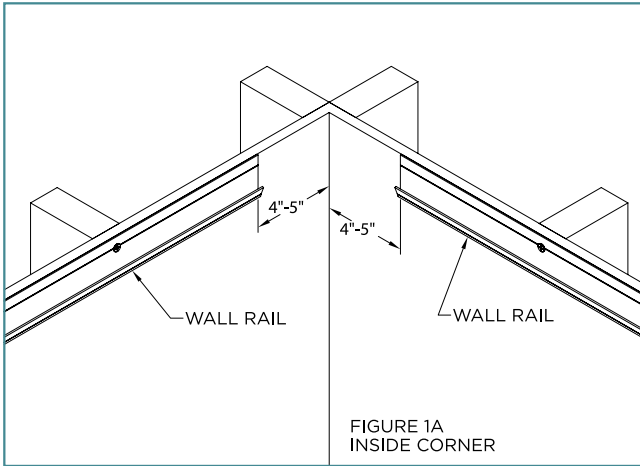


6. Position Filler Extrusions and secure with Alignment Splines (Figure 5).

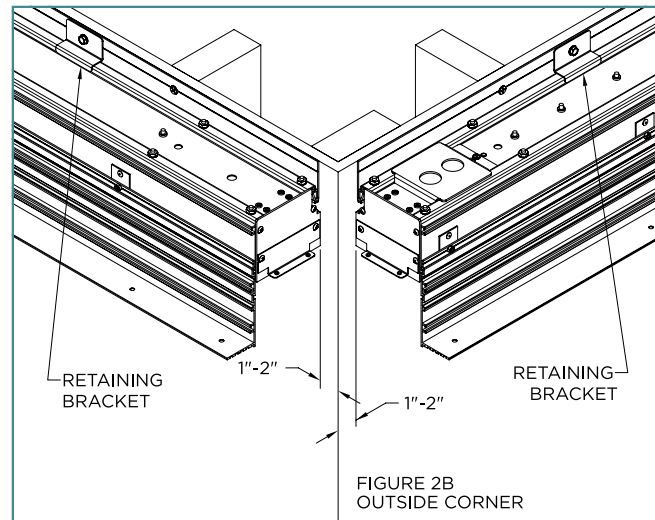
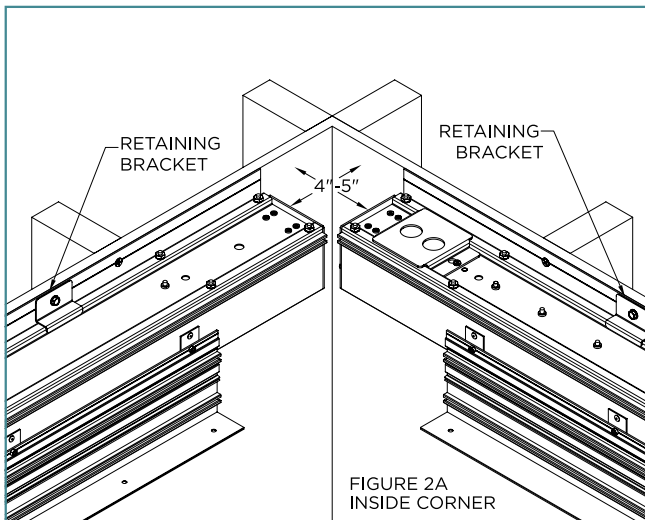


SUPPLEMENTAL NOTES FOR CORNERS PERIMETER REGRESS SF

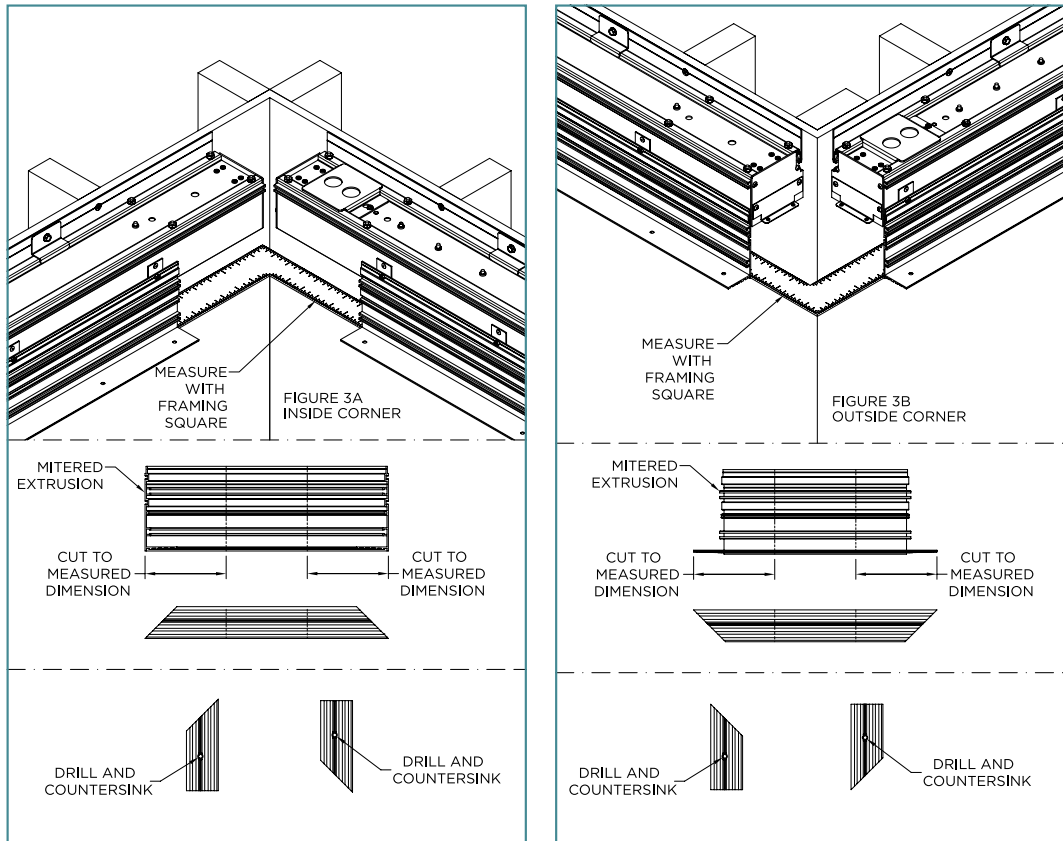
1. Attach all Wall Rails to walls. Follow the standard Perimeter Regress instructions and ensure the following. For inside corners, the distance from Wall Rail to adjacent wall should be 4" to 5" (Figure 1A). For outside corners, the distance from Wall Rail to adjacent wall should be 1" to 2" (Figure 1B).



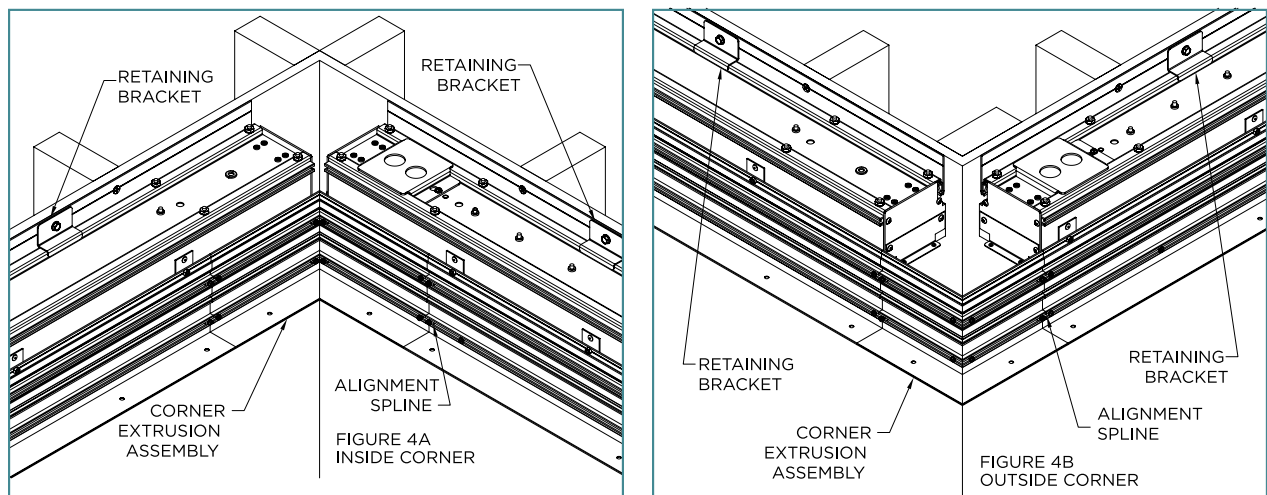
2. Hang Corner Fixtures on both sides of the first corner. Follow the standard Perimeter Regress instructions.
3. For Inside Corners, adjust the Fixtures so that each measure 4" to 5" from Endcaps to adjacent walls (Figure 2A). For Outside Corners, adjust the Fixtures so that each measure 1" to 2" from Endcaps to adjacent walls (Figure 2B).



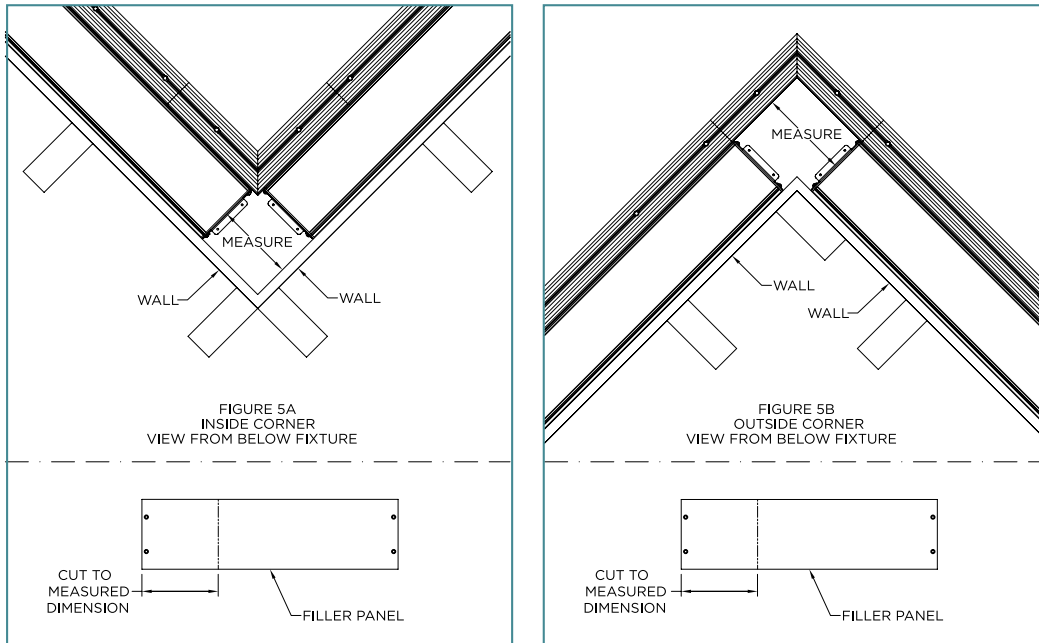
4. Install and tighten Retaining Brackets.
5. Use a framing square to measure from Fixture Extrusions to the intersection where they will meet (Figures 3A and 3B). Cut the Mitered Extrusions to these dimensions, then drill and countersink.



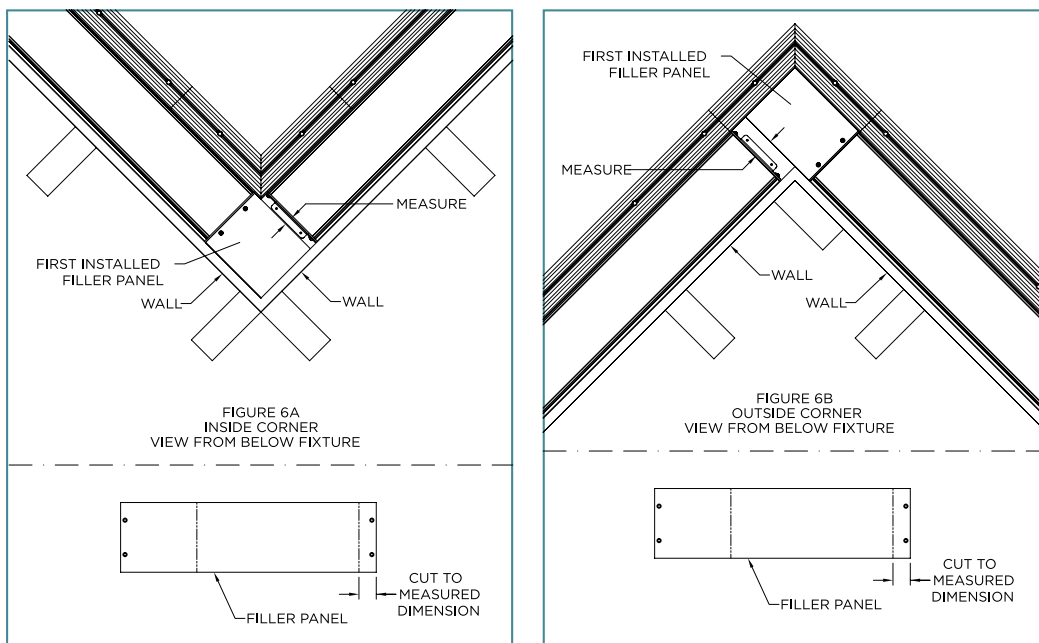
6. Assemble Corner Extrusions using the 90 Degree Alignment Splines. Note: Under certain circumstances corners may be pre-built at the factory. This is the case when corners are not 90 degrees.
7. Install Corner Extrusion Assembly using straight Alignment Splines (Figures 4A and 4B). If you find the corner does not fit properly, loosen the Retaining Brackets and shift the Fixture Segments as needed. Retighten the Retaining Brackets.



8. For Inside Corners, measure from first Endcap to adjacent wall (Figure 5A). For Outside Corners, measure from first Endcap to Corner Extrusion Assembly (Figure 5B).
9. Cut the first Filler Panel and install (Figures 5A, 5B, 6A and 6B).



10. Measure from second Endcap to the installed Filler Panel (Figures 6A and 6B).
11. Cut the second Filler Panel and install.

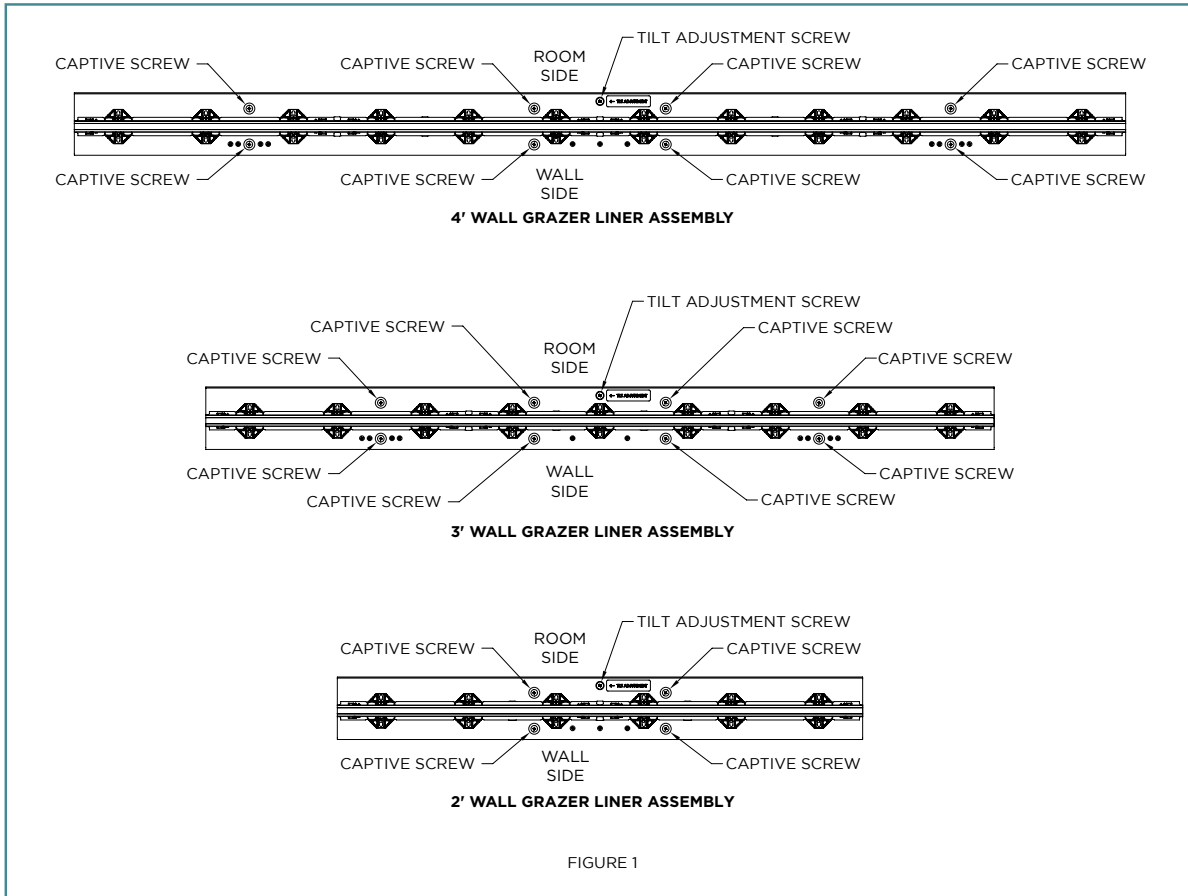


12. Hang additional Fixture Segments on Wall Rails. Follow the standard Perimeter Regress instructions.
13. Hang next Corner Fixtures on Wall Rails. Repeat steps 3 thru 13 until all corners are installed.
14. Follow Field Cuttable Housing instructions for End Fixture Segments.

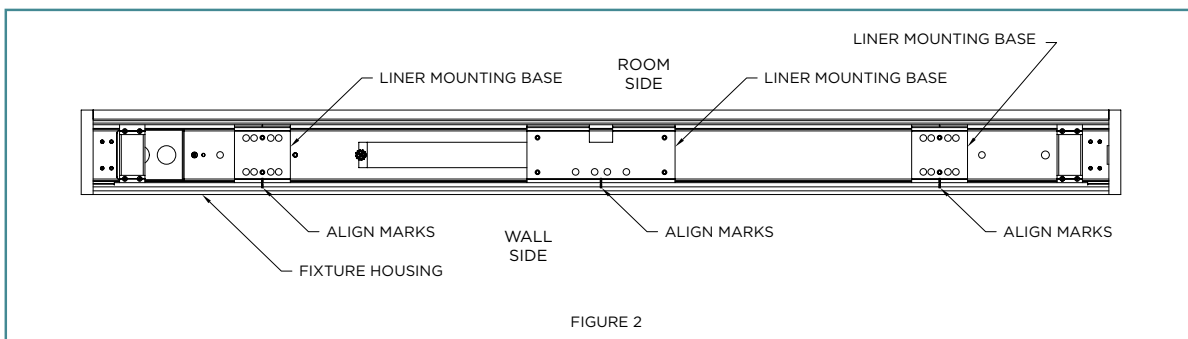


SUPPLEMENTAL NOTES FOR WALL GRAZER OPTICS

1. For continuous run wall grazer fixtures, it will be necessary to remove the liner assembly during installation. Loosen the captive screws shown to remove the liner assembly (Figure 1).

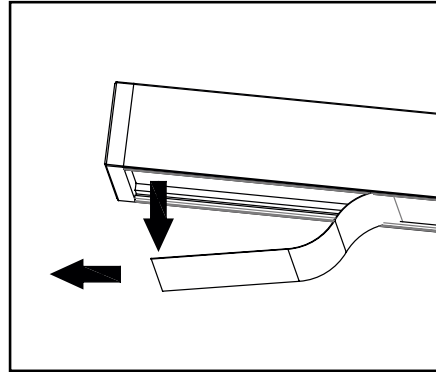
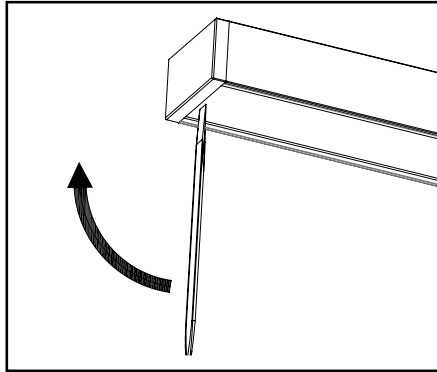


2. To reinstall the liner assembly: First, slide the liner mounting bases so the marks line up with the marks on the fixture housing (Figure 2). Next, install the liner assembly and tighten the captive screws with a handheld screwdriver. Warning: Do not use a powered screwdriver.
3. The wall grazer includes a mechanism that allows the liner assembly to be tilted +/-5 degrees. To adjust, turn the tilt adjustment screw using a handheld screwdriver. Warning: Do not use a powered screwdriver.

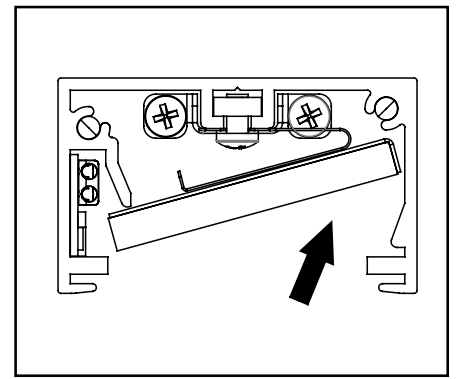
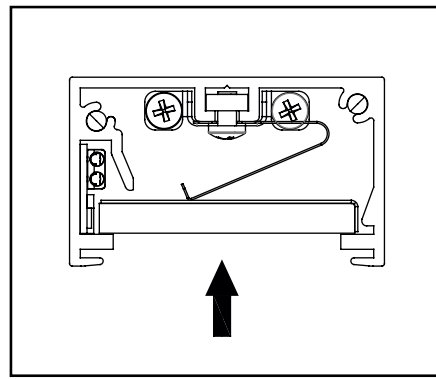
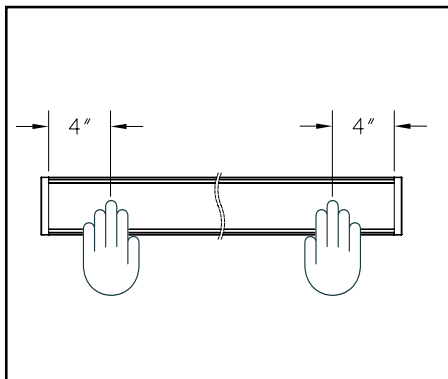


LIGHT GUIDE PLATE (LGP) INSTALLATION AND REMOVAL INSTRUCTIONS

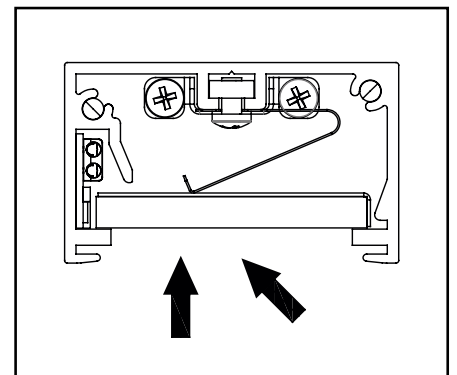
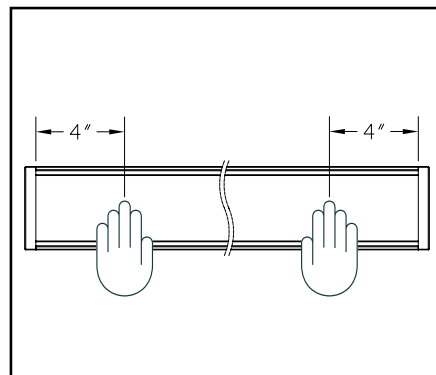
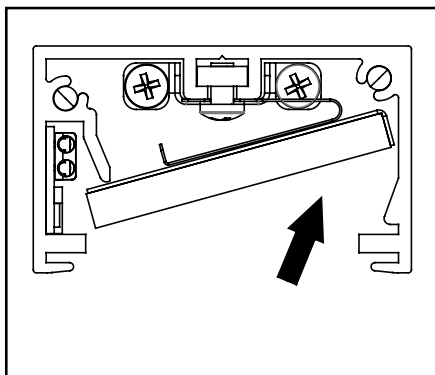
1. Diffuser removal. Insert included tool between diffuser and endcap and gently pry the diffuser. Gently pull the diffuser down and away. Alternatively, the MEO Optic Tool provided can be used.



2. LGP (Light Guide Plate) removal. Utilizing the Extant Tool-Less Push & Eject System push on LGP approximately 4" from each end. You will notice the side closest to the led only moves a small distance. Continue pushing on the side opposite the LED until the LGP is released. You may have to push on the LGP several times to release it. **Note: it helps to moisten fingertips slightly during this process.**



3. LGP installation. Insert LGP with the reflector side opposite the LED at approximately 45 degrees. Push LGP approximately 4" from each end to compress Tool-Less Push to Eject System and push towards LED. Push LGP several times up and towards the LED to ensure it is seated properly. Note: it helps to moisten fingertips slightly during this process.



1. Diffuser installation. Start with diffuser rolled up. Unroll 9-12 inches and insert one side of diffuser into the channel of the extrusion. Squeeze diffuser causing it to curve outward and insert opposite side into channel. Slide fingers along diffuser to insert into channels as you unroll it. Continue this process until diffuser is fully installed. For long fixtures or runs tape the beginning of the diffuser to the end cap with a removable type tape such as blue painters tape.

