



Huntington 1 Series

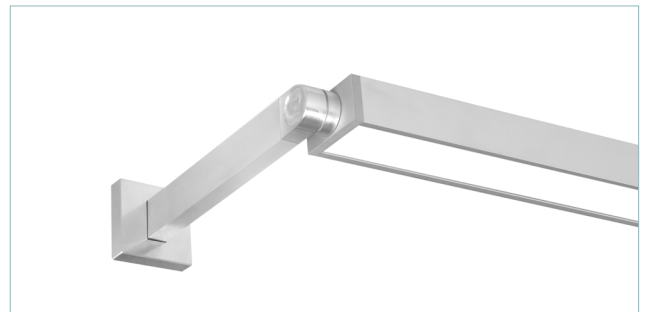
HTG-1W

ROTATIONAL ARM

Brilliant by Design™, minimalistic aesthetic combined with our innovative Microstructure EdgeTech Optics (MEO)™ will bring your vision to light. The innovative MEO™ design utilizes high efficiency Microstructure Lenses and Light Guide Plates for high optical extraction and precise light management.

FEATURES

- Innovative Microstructure EdgeTech Optics™ delivers unparalleled optic control and exceptional performance with seamless illumination and uniformity. Specify Batwing, Glare Control or Diffused (Lambertian).
- Full 361° locking rotational arm hubs.
- MEO™ allows for minimalistic 1.5" Aperture fixtures with extremely low profiles.
- Wall Arm Mount with 1" rotational hub.
- Optional Ceiling Arm Mount with 1" rotational hub.
- Innovative Toolless "Push to Eject" System allows for easy installation and serviceability.
- Beautifully machined end caps and matching arm hardware.
- Specified Lumen Outputs (SLO) available.
- Proudly crafted in Huntington Beach, CA - USA.



ROTATIONAL ARM

Performance Overview

4' Huntington 1 Direct - 3500K 90CRI				
Lumen Output	LL (Low)	ML (Medium)	HL (High)	SLO* (Specified)
Delivered Lumens	772	1908	3760	772-5920
Consumed Wattage	7	18	38	7.3 - 65.6
Efficacy (lm/W)	105	105	99	90-105
SDCM	3	3	3	3

*Specified Lumen Output (SLO) available in customizable lumen configurations (896 lm - 6852 lm). See SLO Configurator [HERE](#)



EXTANT ARCHITECTURAL LIGHTING™

15161 Triton Lane, Huntington Beach, CA 92649 | 714-362-8099 | ExtantLighting.com

* Due to our culture of always striving for product enhancement, specifications and information within this document are subject to change without notice. 2020 Extant Lighting, Inc. All rights reserved.

REV08112023 | 1

ORDERING INFORMATION

PROJECT _____ TYPE _____
 PRODUCT _____ QTY _____

Product Family	Driver Location	Length
HTG-1W Huntington Series 1.5" Aperture (Wall Mount)	<input type="checkbox"/> TD Integral Driver <input type="checkbox"/> RD Remote Driver	<input type="checkbox"/> _____* Specify length in 1 foot increments *Minimum Integral Driver length is 2'. Minimum Remote Driver can be shorter, consult factory. *Custom length fixtures can be ordered in 3" increments.

Lumen Output	Optics	Color Temp	Voltage
<input type="checkbox"/> DLL Low (193 l/ft @ 1.84 W)* <input type="checkbox"/> DML Medium (477 l/ft @ 4.55 W)* <input type="checkbox"/> DHL High (940 l/ft @ 9.46 W)* <input type="checkbox"/> SLO-XX **Specified Lumen Output available. *Delivered lumen output & consumed wattage based on "MEODF 35" (90 CRI - 3500K). See SLO Configurator for alternate outputs.	MEO <input type="checkbox"/> MEODF Diffusing <input type="checkbox"/> MEOBW Batwing <input type="checkbox"/> MEOGC Glare Control	90+ CRI <input type="checkbox"/> 27 2700K <input type="checkbox"/> 30 3000K <input type="checkbox"/> 35 3500K <input type="checkbox"/> 40 4000K <input type="checkbox"/> 50 5000K <input type="checkbox"/> XX Optional Color Temp & CRI Available	<input type="checkbox"/> VU 120V-277V <input type="checkbox"/> V3 347V

Driver	Finish	Options
<input type="checkbox"/> D* 1% 0-10V <input type="checkbox"/> DN NON DIM <input type="checkbox"/> DL1 Lutron Hi-Lume 1% EcoSystem <input type="checkbox"/> DE* .1% 0-10V <input type="checkbox"/> DD1 1% DALI <input type="checkbox"/> DDE .1% DALI <input type="checkbox"/> DMX .1% DMX/RDM <input type="checkbox"/> DELV 1% Electronic Low Voltage Dimming (Reverse Phase) <input type="checkbox"/> DTRIAC 1% Electronic Low Voltage Dimming (Forward Phase) <input type="checkbox"/> XX Other (Please Specify) *Dim to Off available. Please Specify "-OFF" next to driver option if required.	<input type="checkbox"/> SA* Silver Anodized <input type="checkbox"/> WP* Matte White <input type="checkbox"/> BP* Matte Black <input type="checkbox"/> CC* Custom *When above finish selected, the housing finish and end cap finish will match <input type="checkbox"/> SAMF SA Housing/Machine Finish End Caps <input type="checkbox"/> WPMF WP Housing/Machine Finish End Caps <input type="checkbox"/> BPMF BP Housing/Machine Finish End Caps <input type="checkbox"/> CCMF CC Housing/Machine Finish End Caps	<input type="checkbox"/> EMB_* Emergency Battery Pack(s) <input type="checkbox"/> EMC_* Emergency Circuit(s) <input type="checkbox"/> SOC * Occupancy Sensor <input type="checkbox"/> SDL* Daylight Sensor <input type="checkbox"/> BCS* Brilliant Communications Solutions (wired/wireless) <input type="checkbox"/> JAB JA8 Approved BCS: includes wired and wireless integration from our partners at nLight™, Enlighted, Legrand, Crestron, Osram, Lutron and many more. Contact Extant for details. EMB: Specify quantity of battery packs. Minimum 4' unit. EMC: Specify quantity of emergency circuits. SOC & SDL: Specify spacing/location of sensors(s).

Mounting	Arm Length*	Coverplate*
<input type="checkbox"/> WR* Wall Mounted Rotational Arm (1" Rotational Hub) <input type="checkbox"/> CR* Ceiling Arm Mount (1" Rotational Hub) *Note: Mounting hardware and arm match fixture finish.	<input type="checkbox"/> L3 3" <input type="checkbox"/> L6 6" <input type="checkbox"/> L9 9" <input type="checkbox"/> L12 12" <input type="checkbox"/> L18 18" <input type="checkbox"/> L24 24" <input type="checkbox"/> L_ *Custom Length *Note: All arm lengths 12" or greater require cable tie backs.	<input type="checkbox"/> NC No Coverplate <input type="checkbox"/> 4R 4" Round Coverplate <input type="checkbox"/> 4S 4" Square Coverplate <input type="checkbox"/> 2R 2-1/2" Round Coverplate <input type="checkbox"/> 2S 2" Square Coverplate



Specifications

CONSTRUCTION One-piece heavy gauge 6063 extruded aluminum housing. Precision-machined aluminum end caps.

OPTICS Microstructure EdgeTech Optics (MEO)™ utilizes high efficiency Microstructure Lenses and Light Guide Plates for high optical extraction and precise light management. Specify Batwing, Glare Control or Diffused (Lambertian).

LIGHT OUTPUT (3) Standard lumen packages are available: Low (DLL), Medium (DML) and High (DHL). Specified Lumen Output (SLO) packages available. Please see the (SLO) configurator at ExtantLighting.com.

LEDS Latest generation of premium Nichia 3-step MacAdam Ellipse LED's available in (90+ CRI) 2700K, 3000K, 3500K, 4000K. LED modules are easily accessible and replaceable.

VOLTAGE Universal 120/277V (VU) and 347V (V3) available. Consult factory for driver options when 347V is specified.

EMERGENCY BATTERY Factory provided low profile 10W emergency battery for UL924 required 90-minute run time (optional).

FINISH Standard finishes include silver anodized, powder coated white or powder coated black. Custom anodized and powder coated finishes available (RAL number matched).

MOUNTING Wall Arm Mount with rotational with 1" 361° locking rotation hub or Ceiling Arm Mount with 1" 361° locking rotation hub.

APPROVALS UL and cUL Listed. Approved for Dry/Damp locations. Made in the USA. JA8 Approved.

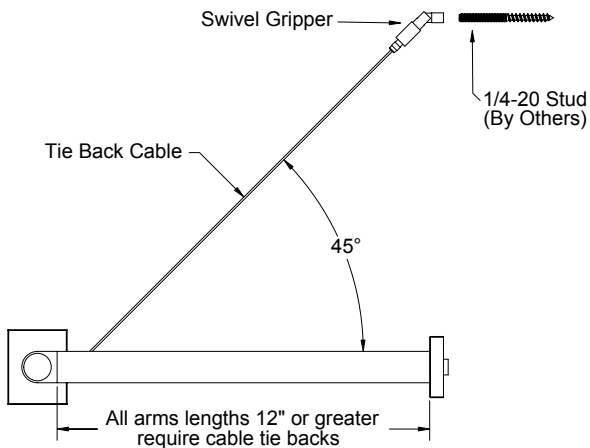
LUMEN MAINTENANCE (L70) 70% of initial light output = Reported > 60,000 hours | Calculated > 200,000 hours (L90) 90% of initial light output = Reported > 60,000 hours | Calculated > 200,000 hours.

WARRANTY HTG 1 offered with a 5-year limited warranty. 5-year limited warranty covers LED, Driver and fixture. For further details, refer to General Warranty and Obligations at ExtantLighting.com.

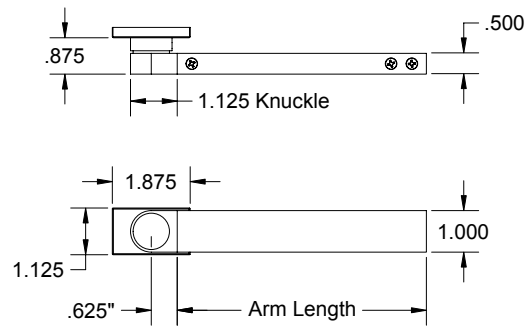
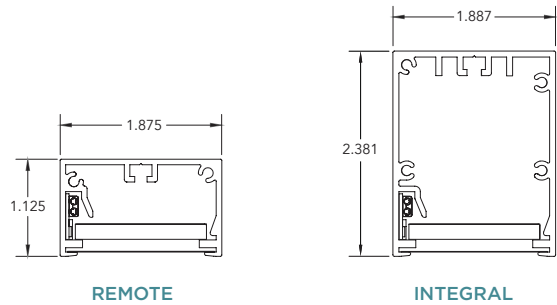
PATENTS Extant Lighting's intellectual property is protected under Patent No. US 11,378,262 B2 by the U.S. Patent Office.

Wall Mount/Tie Back

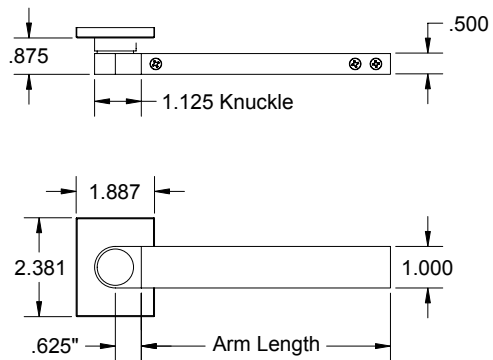
All arm lengths 12" or greater require cable tie backs.



Dimensions



ROTATIONAL ARM
REMOTE



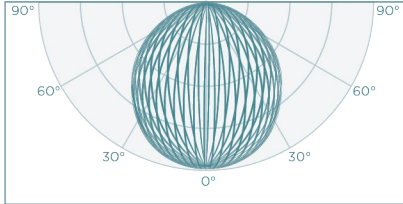
ROTATIONAL ARM
INTEGRAL



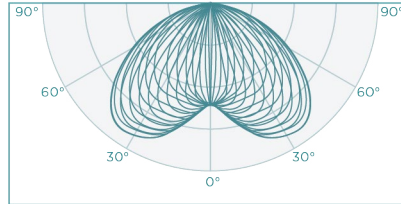
Microstructure EdgeTech Optics (MEO)™

Our innovative MEO™ design utilizes high efficiency Microstructure Lenses and Light Guide Plates for high optical extraction and precise light management. MEO™ delivers exceptional light quality with seamless illumination and uniformity with no pixelation or hot spots.

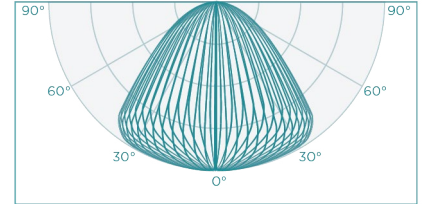
DIRECT



MEODF
LAMBERTIAN



MEOBW
BATWING



MEOGC
GLARE CONTROL

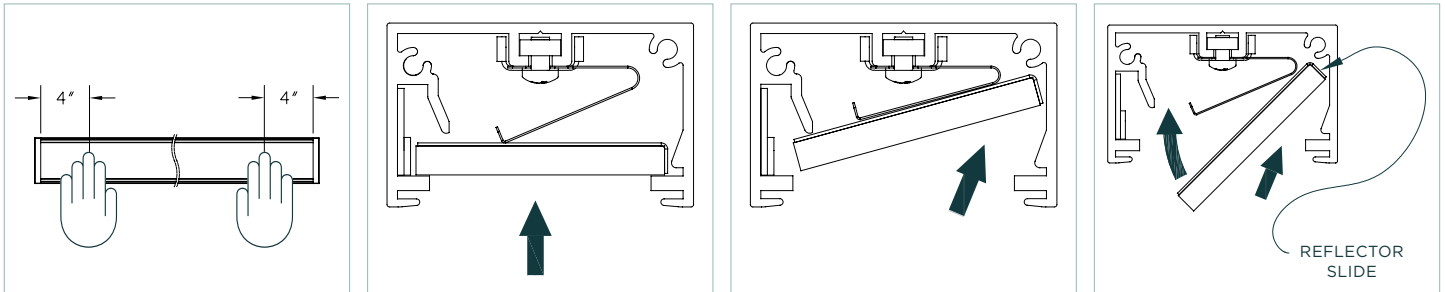


Installation

Thoughtful engineering is at the core of all of our fixture designs. All of our products are thoughtfully engineered and include innovative features that create a sophisticated fixture that is also contractor friendly and easy to install and service.

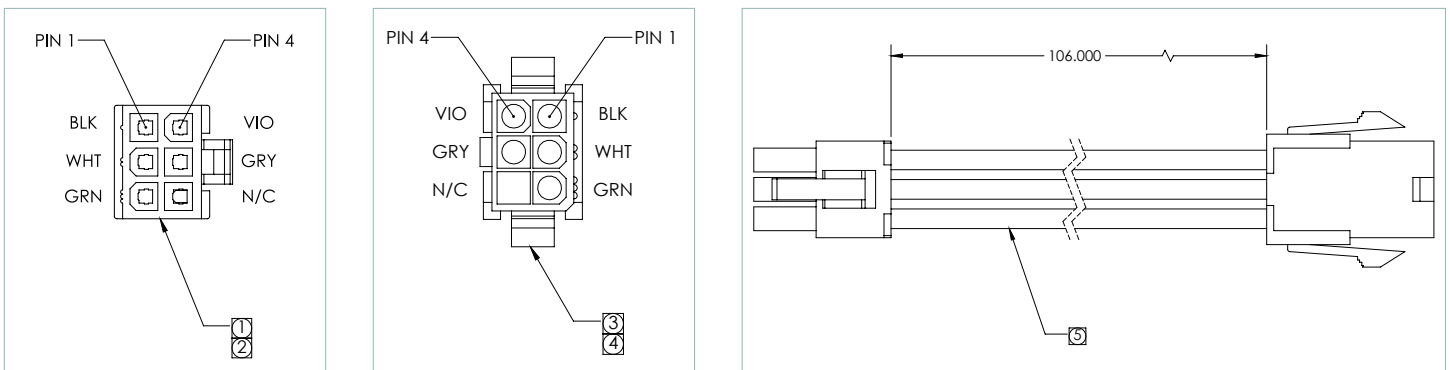
PUSH TO EJECT SYSTEM

Innovative “Push to Eject” System allows for toolless removal and installation of the Light Guide Plate. This thoughtful engineering creates easy access into the housing for simple installation and serviceability.



QUICK-CLICK 5-WIRE SYSTEM

Our Quick-Click 5-Wire System connects the continuous run through wiring with a simple push and click connection. The Quick-Click System is contractor friendly and decreases installation time and cost and ensures proper wiring.

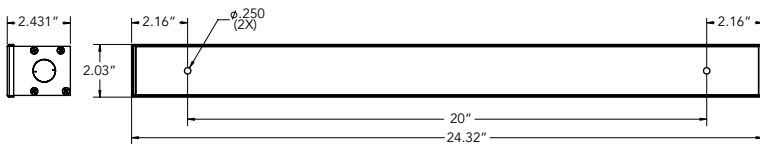


Decorative Driver

SINGLE DRIVER BOX

For driver input watts see SLO Configurator of Specified Fixture for input (aka “consumed”) wattage

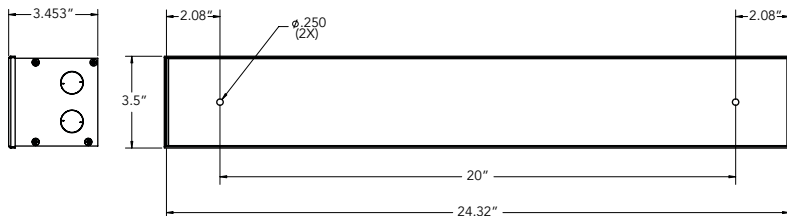
- Houses 1 remote LED Driver
- DL2 driver option up to 45 input watts
- D, DN, DD1 driver options up to 90 input watts
- DL5, DL1, DE and DDE driver options up to 80 input watts
- Available in SA Silver Anodized, WP Matte White, BP Matte Black and CC Custom Color finishes.
- Remote Driver distance cannot exceed 32’ for D, DN, and DD1 driver options, 10’ for DL5, DL1 and DL2 driver options and 46’ for DE and DDE driver options.
- Compatible for single circuit Direct/Indirect fixture only if Uplight and Downlight Outputs specifications are identical and total luminaire wattage does not exceed values above.
- Suspended fixtures have AWM feeds factory prewired, 6” longer than aircraft cable specification and remote driver Surface Mount fixtures have 10’ AWM leads out of fixture.



DUAL DRIVER BOX

For driver input watts see SLO Configurator of Specified Fixture for input (aka “consumed”) wattage

- Houses 2 remote LED Drivers or 1 LED Driver and one EM Battery Pack. Can also house 1 LED Driver and GTD or other UL Listed linear form factor devices. Consult factory for more information.
- EM test switch installed on side of driver box for EM versions.
- Available in SA Silver Anodized, WP Matte White, BP Matte Black and CC Custom Color finishes.
- D, DN, DD1 driver options up to 180 input watts. Each of the 2 driver cannot exceed 90 input watts individually
- DL5, DL1, DE and DDE driver options up to 160 input watts. Each of the 2 drivers cannot exceed 80 input watts individually.
- DL2 driver option up to 90 input watts. Each of the 2 drivers cannot exceed 45 input watts individually.
- Remote Driver distance cannot exceed 32’ for D, DN, and DD1 driver options, 10’ for DL5, DL1 and DL2 driver options and 46’ for DE and DDE driver options or ½ these listed dimensions if the driver is paired with EM Battery Pack.
- Dual Driver box needed for Direct/Indirect fixtures with different light levels selected for Uplight and Downlight sides, certain higher wattage specifications or 2C 2 Circuit specifications with independent control for Uplight and Downlight Outputs.

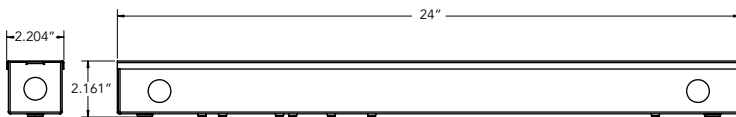


Decorative Driver

SINGLE DRIVER BOX

For driver input watts see SLO Configurator of Specified Fixture for input (aka “consumed”) wattage

- Houses 1 remote LED Driver
- Finish is raw galvanized steel
- D, DN, DD1 driver options up to 90 input watts
- DL5, DL1, DE and DDE driver options up to 80 input watts
- DL2 driver option up to 45 input watts.
- Remote Driver distance cannot exceed 32’ for D, DN, and DD1 driver options, 10’ for DL5, DL1 and DL2 driver options and 46’ for DE and DDE driver options.
- Compatible for single circuit Direct/Indirect fixture only if Uplight and Downlight Outputs specifications are identical and total luminaire wattage does not exceed values above.
- Suspended fixtures have AWM feeds factory prewired, 6” longer than aircraft cable specification and remote driver Surface Mount fixtures have 10’ AWM leads out of fixture.



DUAL DRIVER BOX

For driver input watts see SLO Configurator of Specified Fixture for input (aka “consumed”) wattage

- Finish is raw galvanized steel
- EM test switch installed on lid of driver box for EM versions.
- Houses 2 remote LED Drivers or 1 LED Driver and one EM Battery Pack.
- Can also house 1 LED Driver and GTD or other UL Listed linear form factor devices. Consult factory for more information.
- D, DN, DD1 driver options up to 180 input watts. Each of the 2 drivers cannot exceed 90 input watts individually
- DL2 driver option up to 90 input watts. Each of the 2 drivers cannot exceed 45 individually.
- DL5, DL1, DE and DDE driver options up to 160 input watts. Each of the 2 drivers cannot exceed 80 input watts individually.
- Remote Driver distance cannot exceed 32’ for D, DN, and DD1 driver options, 10’ for DL5, DL1 and DL2 driver options and 46’ for DE and DDE driver options or ½ these listed dimensions if the driver is paired with EM Battery Pack.
- Dual Driver box needed for Direct/Indirect fixtures with different light levels selected for Uplight and Downlight sides, certain higher wattage specifications or 2C 2 Circuit
- specifications with independent control for Uplight and Downlight Outputs.

