

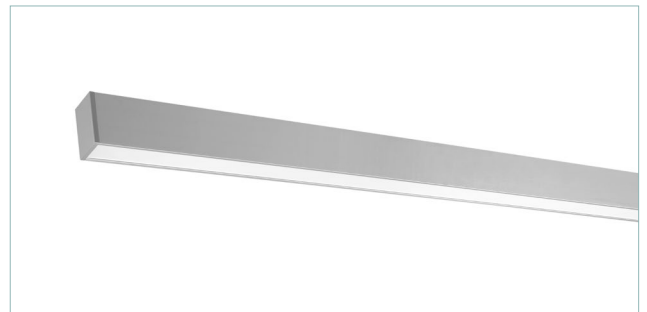


Huntington 1 Series

HTGDU-1W

WALL

Brilliant by Design™, minimalistic aesthetic combined with our innovative Microstructure EdgeTech Optics (MEO)™ will bring your vision to light. The innovative MEO™ design utilizes high efficiency Microstructure Lenses and Light Guide Plates for high optical extraction and precise light management.



FEATURES

- Innovative Microstructure EdgeTech Optics™ delivers unparalleled optic control and exceptional performance with seamless illumination and uniformity. Specify Narrow Distribution, Diffused (Lambertian), or Room Fill Optics.
- MEO™ allows for minimalistic 1.5" aperture fixtures with extremely low profiles.
- Individual fixture lengths and seamless continuous rows with no lens breaks, pixelation or hot spots up to 250 feet.
- Innovative Toolless "Push to Eject" System allows for easy installation and serviceability.
- PRO optics available with Asymmetric Ceiling Wash and Diffusing distributions.
- Individually controlled Direct and Indirect MEO™ optics and lumen outputs.
- Surface Wall Mounting
- Custom powder coat finishes available.
- Specified Lumen Outputs (SLO) available up to 1480 lm/ft.
- 90+ CRI as a standard with Tunable White available.
- Proudly crafted in Huntington Beach, CA - USA.
- BABA compliant in most configurations. Consult factory for details.

Performance Overview

4' Huntington 1 Direct - 3500K 90CRI MEODF				
Lumen Output	LL (Low)	ML (Medium)	HL (High)	SLO* (Specified)
Delivered Lumens	772	1908	3760	772-5920
Consumed Wattage	15	36	76	14.6-131.1
Efficacy (lm/w)	105	105	99	90-105
SDCM	3	3	3	3

*Specified Lumen Output (SLO) available in customizable lumen configurations (772 lm - 5920 lm). See SLO Configurator [HERE](#)



ORDERING INFORMATION

Project: _____

Date: _____ **Type:** _____

Product Family	Driver Location	Length	Direct Lumen Output	Direct Optics	Indirect Lumen Output
HTGDU-1W Huntington Series Direct Indirect 1.5" Aperture (Wall Mount)	TD Integral Driver RD Remote Driver	____ Specify Length* L_X_ L Pattern PC Custom Pattern	DLL Low (193 lm/ft @ 1.84 lm/w)* DML Medium (477 lm/ft @ 4.55 lm/w)* DHL High (940 lm/ft @ 9.46 lm/w)* SLO-XX Specified Lumen Output available.**	MEO MEODF Diffusing MEOGC Narrow Distribution MEORF Room Fill	ULL Low (193 lm/ft @ 1.84 lm/w)* UML Medium (477 lm/ft @ 4.55 lm/w)* UHL High (940 lm/ft @ 9.46 lm/w)* SLO-XX Specified Lumen Output available.**
		*Minimum Integral Driver length is 2'. Minimum Remote can be shorter, consult factory. *Custom length fixtures can be ordered in 3" increments. *Any length over 8' requires multiple fixture segments. See Continuous Row Drawing on product webpage.	*Delivered lumen output & consumed wattage based on "MEODF 35" (90 CRI - 3500K). See SLO Configurator for alternate outputs. **See SLO Configurator at ExtantLighting.com for appropriate "XX" output.		

Indirect Optics	Color Temp	Voltage	Driver	Finish
MEO MEODF Diffusing MEOGC Narrow Distribution PRO PROAY Asymmetric Ceiling Wash PRODF Diffusing	27 2700K 30 3000K 35 3500K 40 4000K 50 5000K TW 2700K-6500K (85+ CRI) XX Optional Color Temp & CRI Available	VU 120V-277V V3 347V	D 1% 0-10V* DN Non Dim DELV 1% Electronic Low Voltage Dimming (Reverse Phase dimming-120V only) DTRIAC 1% Electronic Low Voltage Dimming (Forward Phase dimming-120V only) DL1 Lutron Hi-Lume 1% EcoSystem DE .1% 0-10V DD1 1% DALI DDE .1% DALI DMX .1% DMX/RDM DTW 1% 0-10V Tunable White DT8 1% DALI Tunable White XX Other (Please Specify)	SA Powder Coated Silver Anodized* WP Powder Coated Matte White* BP Powder Coated Matte Black* CC Powder Coated Custom** SAMF SA Housing/Machine Finish End Caps WPMF WP Housing/Machine Finish End Caps BPMF BP Housing/Machine Finish End Caps CCMF CC Housing/Machine Finish End Caps
*PRO Optics are the most cost effective indirect solution. PRO optics are not a diffused light source. LED pixelation will be seen with this optic choice.	90+ CRI is standard unless otherwise noted.		*Dim to Off available. Please Specify "--OFF" next to driver option if required.	*The housing finish & end cap finish will match. **Custom Color (CC) to be provided in satin finish & color to be specified by a RAL number. The housing finish & end cap finish will match.

Options	Mounting
	SW
EMC_* Emergency Circuit(s) EMB_* Emergency Battery Pack(s) SOC* Occupancy Sensor SDL* Daylight Sensor MTC* Multiple Circuit(s) (Daylight, Occupancy, Zone Specific) BCS* Brilliant Communications Solutions (wired/wireless) 2C 2 Circuit (Direct Light and Indirect Light (Controlled Independently) JA8 JA8 Compliant	SW Surface Wall
*EMC: Specify quantity of emergency circuits per run. *EMB: Specify quantity of battery packs per run. Minimum 4' unit. *SOC & SDL: Specify spacing/location of sensor(s). *MTC: Circuit location(s) to be identified through factory supplied drawings *BCS: Includes wired & wireless integration from our partners at nLight™, enlightened, Legrand, Crestron, Osram, Lutron & many more.	



Specifications

CONSTRUCTION One-piece heavy gauge 6063 extruded aluminum housing. Precision-machined aluminum end caps.

OPTICS Microstructure EdgeTech Optics (MEO)™ utilizes high efficiency Microstructure Lenses and Light Guide Plates for high optical extraction and precise light management. Specify Narrow Distribution, Diffused (Lambertian), or Room Fill Optics. Precision Refractive Optics (PRO) also available in Diffused and Asymmetric Ceiling Wash for indirect direction.

LIGHT OUTPUT (3) Standard individually controlled (Indirect & Direct) lumen packages are available: Low (ULL/DLL), Medium (UML/DML) and High (UHL/DHL). Specified Lumen Output (SLO) packages available. Please see the (SLO) configurator at ExtantLighting.com.

LEDS Latest generation of premium Nichia 3-step MacAdam Ellipse LED's available in (90+ CRI) 2700K, 3000K, 3500K, 4000K, and 5000K. Tunable White available. LED modules are easily accessible and replaceable.

VOLTAGE Universal 120/277V (VU) and 347V (V3) available. Consult factory for driver options when 347V is specified.

BATTERY BACKUP Factory provided low profile 10W battery for UL924 required 90-minute run time.

FINISH Standard finishes include powder coated silver, powder coated matte white or powder coated matte black. Custom powder coated finishes available (RAL number matched).

CONTINUOUS ROWS Innovative Toolless Latch System ensures simple installation. Seamless continuous rows with no lens breaks, pixelation or hotspots up to 250 feet.

PATTERNS Standard L Pattern (L) available. Custom patterns available.

MOUNTING Surface Wall Mount.

APPROVALS UL and cUL Listed. Approved for Dry/Damp locations. Made in the USA. BABA compliant in most configurations. JA8 Approved.

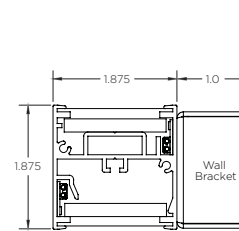
LUMEN MAINTENANCE (L70) 70% of initial light output = Reported > 60,000 hours | Calculated > 200,000 hours (L90) 90% of initial light output = Reported > 60,000 hours | Calculated > 200,000 hours.

WARRANTY All Extant fixtures offered with a 5-year limited warranty which covers LED, driver and fixture. For further details, refer to General Warranty and Obligations at ExtantLighting.com.

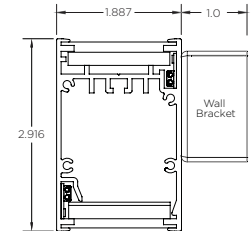
PATENTS Extant Lighting's intellectual property is protected under Patent No. US 11,378,262 B2 and 12,007,101 B2 by the U.S. Patent Office.

Dimensions

See installation instructions for more detail on mounting brackets



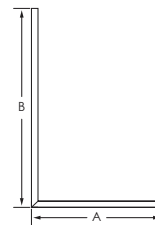
HTGDU-1W REMOTE



HTGDU-1W INTEGRAL

Patterns

Note: All miters/patterns shown and ordered in plan view.

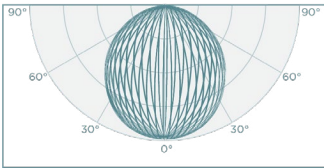


L__X__
L-Shape
Provide Ax B
Example: L4'x6'

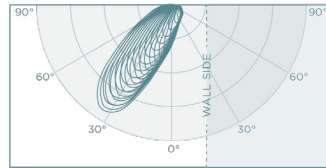
Microstructure EdgeTech Optics (MEO)™

Our innovative MEO™ design utilizes high efficiency Microstructure Lenses and Light Guide Plates for high optical extraction and precise light management. MEO™ delivers exceptional light quality with seamless illumination and uniformity with no pixelation, hot spots or lens breaks up to 250' continuous rows.

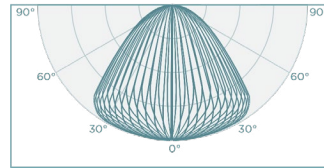
DIRECT



MEODF
LAMBERTIAN

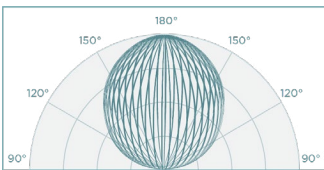


MEORF
ROOM FILL

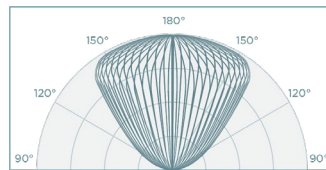


MEOGC
NARROW DISTRIBUTION

INDIRECT



MEODF
LAMBERTIAN



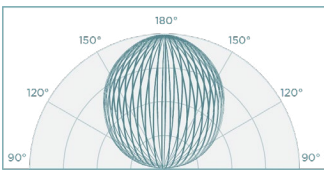
MEOGC
NARROW DISTRIBUTION

Precision Refractive Optics (PRO)

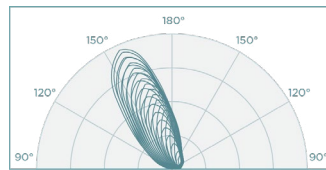
Precision Refractive Optics (PRO) are designed to produce precise optic control for diverse design applications. PRO utilizes the latest in extruded lens technology that mount directly to the LED board channel to give optimum control.

Please Note: The PRO optics are not a diffused light source. LED pixelation will be seen with this optic choice. If you want a completely diffused light source with no pixelation or hot spots, see our Microstructure EdgeTech Optics (MEO)™ options. PRO optics are the more cost effective indirect solution.

INDIRECT



PRODF
LAMBERTIAN



PROAY
ASYMMETRIC CEILING WASH

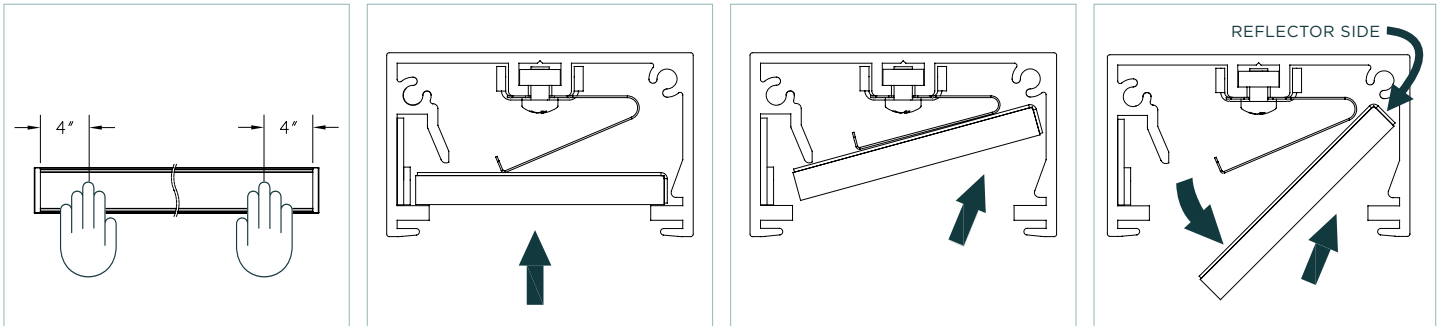


Installation

Thoughtful engineering is at the core of all of our fixture designs. All of our products are thoughtfully engineered and include innovative features that create a sophisticated fixture that is also contractor friendly and easy to install and service.

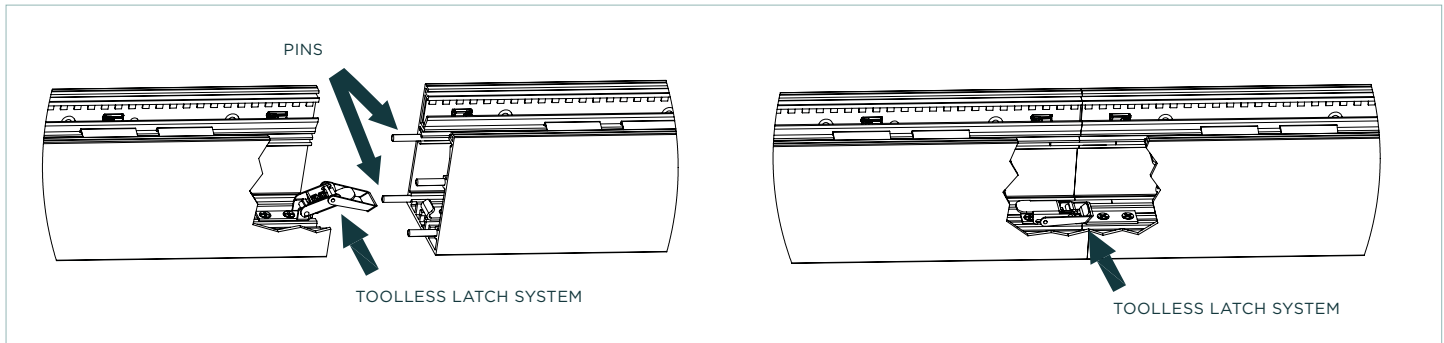
PUSH TO EJECT SYSTEM

Innovative “Push to Eject” system allows for toolless removal and installation of the Light Guide Plate. This thoughtful engineering creates easy access into the housing for simple installation and serviceability.



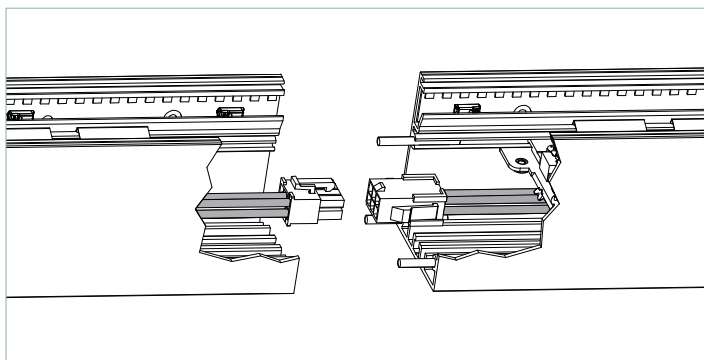
TOOLLESS LATCH SYSTEM

Our Toolless Latch system is designed to securely connect the extrusions of the continuous runs without the use of any tools, screws or external parts. Our innovative design allows the contractor to perfectly align the extrusion with the built-in alignment pins and cinch up the extrusion with the Toolless Latch system for a tight fit. The Toolless Latch system eliminates gaps and ensures perfect alignment.



QUICK-CLICK THRU-WIRE SYSTEM

Our integral driver Quick-Click Thru-Wire system connects the continuous run through wiring with a simple push and click connection. The Quick-Click system is contractor friendly and decreases installation time and cost and ensures proper wiring.



MEO™ OPTIC

MEO™ design utilizes high efficiency extraction and precise light management. MEO™ lens must be installed to ensure proper performance.

