



Huntington 3 Series

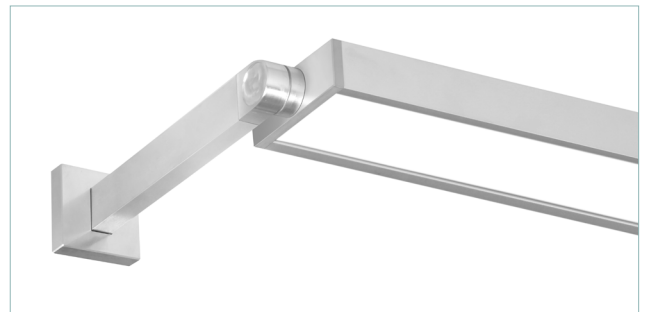
HTG-3W

ROTATIONAL ARM

Brilliant by Design™, minimalistic aesthetic combined with our innovative Microstructure EdgeTech Optics (MEO)™ will bring your vision to light. The innovative MEO™ design utilizes high efficiency Microstructure Lenses and Light Guide Plates for high optical extraction and precise light management.

FEATURES

- Innovative Microstructure EdgeTech Optics™ delivers unparalleled optic control and exceptional performance with seamless illumination and uniformity. Specify Batwing, Glare Control or Diffused (Lambertian).
- Full 361° locking rotational arm hubs.
- MEO™ allows for minimalistic 3" Aperture fixtures with extremely low profiles.
- Innovative Toolless "Push to Eject" System allows for easy installation and serviceability.
- Beautifully machined end caps and matching arm hardware.
- Custom powder coat and anodized finishes.
- Specified Lumen Outputs (SLO) available.
- Proudly crafted in Huntington Beach, CA - USA.



ROTATIONAL ARM

Performance Overview

4' Huntington 3 Direct - 3500K 90CRI MEODF				
Lumen Output	LL (Low)	ML (Medium)	HL (High)	SLO* (Specified)
Delivered Lumens	896	2208	4352	896-6852
Consumed Wattage	7	18	38	7.3 - 65.6
Efficacy (lm/W)	122	121	115	105-122
SDCM	3	3	3	3

*Specified Lumen Output (SLO) available in customizable lumen configurations (896 lm - 6852 lm). See SLO Configurator [HERE](#)



EXTANT ARCHITECTURAL LIGHTING™

15161 Triton Lane, Huntington Beach, CA 92649 | ☎ 714-362-8099 | ExtantLighting.com

* Due to our culture of always striving for product enhancement, specifications and information within this document are subject to change without notice. 2020 Extant Lighting, Inc. All rights reserved.

ORDERING INFORMATION

EXAMPLE: HTG-3W-TD-48"-DLL-MEODF-27-VU-DN-SA-JA8-WR-L3-4R

Project: _____

Date: _____ Type: _____

Product Family	Driver Location	Length	Lumen Output	Direct Optics	Color Temp
HTG-3W					
HTG-3W Huntington Series 3" Aperture - Wall Mount	TD Integral Driver RD Remote Driver	___* Specify Length <small>*Minimum Integral Driver length is 2'. Minimum Remote can be shorter, consult factory. *Custom length fixtures can be ordered in 3" increments. *Any length over 8' requires multiple fixture segments.</small>	DLL Low (224 l/ft @ 1.84 W)* DML Medium (552 l/ft @ 4.55 W)* DHL High (1088 l/ft @ 9.46 W)* SLO-XX Specified Lumen Output available.** <small>*Delivered lumen output & consumed wattage based on "MEODF 35" (90 CRI - 3500K). See SLO Configurator for alternate outputs. **See SLO Configurator at ExtantLighting.com for appropriate "XX" output.</small>	MEO MEODF Diffusing MEOBW Batwing MEOGC Glare Control	27 2700K 30 3000K 35 3500K 40 4000K 50 5000K TW 2700K-6500K (85+ CRI) XX Optional Color Temp & CRI Available

Voltage	Driver	Finish	Options	Mounting
VU 120V-277V V3 347V	D* 1% 0-10V DN NON DIM DELV 1% Electronic Low Voltage Dimming (Reverse Phase dimming) DTRIAC 1% Electronic Low Voltage Dimming (Forward Phase dimming) DLI Lutron Hi-Lume 1% EcoSystem DE 1% 0-10V DD1 1% DALI DDE 1% DALI DMX 1% DMX/RDM DTW 1% 0-10V Tunable White DDTW .1% DALI Tunable White XX Other (Please Specify) <small>*Dim to Off available. Please Specify "-OFF" next to driver option if required.</small>	SA* Silver Anodized WP* Matte White BP* Matte Black CC** Custom SAMF SA Housing/Machine Finish End Caps WPMF WP Housing/Machine Finish End Caps BPMF BP Housing/Machine Finish End Caps CCMF CC Housing/Machine Finish End Caps <small>*The housing finish and end cap finish will match. ** Custom Color (CC) to be provided in satin finish and color to be specified by a RAL number. The housing finish and end cap finish will match.</small>	EMC_* Emergency Circuit(s) EMB_* Emergency Battery Pack(s) SOC* Occupancy Sensor SDL* Daylight Sensor BCS* Brilliant Communications Solutions (wired/wireless) MTC* Multiple Circuit(s) (Daylight, Occupancy, Zone Specific) JA8 JA8 Compliant <small>*EMC: Specify quantity of emergency circuits. *EMB: Specify quantity of battery packs. Minimum 4' unit. *SOC & SDL: Specify spacing/location of sensor(s). *BCS: includes wired and wireless integration from our partners at iLight™, enlightened, Legrand, Crestron, Osram, Lutron and many more. *MTC: Circuit location(s) to be identified through factory supplied drawings</small>	WR* Wall Mounted Rotational Arm (1" Rotational Hub) CR* Ceiling Arm Mount (1" Rotational Hub) <small>*Mounting hardware and arm match fixture finish.</small>

Arm Length	Coverplate
L3 3" L6 6" L9 9" L12* 12" L18* 18" L24* 24" L___* Custom Length <small>*All arm lengths 12" or greater require cable tie backs.</small>	NC No Coverplate 4R 4" Round Coverplate 4S 4" Square Coverplate 2R 2-1/2" Round Coverplate 2S 2" Square Coverplate



Specifications

CONSTRUCTION One-piece heavy gauge 6063 extruded aluminum housing. Precision-machined aluminum end caps.

OPTICS Microstructure EdgeTech Optics (MEO)™ utilizes high efficiency Microstructure Lenses and Light Guide Plates for high optical extraction and precise light management. Specify Batwing, Glare Control or Diffused (Lambertian).

LIGHT OUTPUT (3) Standard lumen packages are available: Low (DLL), Medium (DML) and High (DHL). Specified Lumen Output (SLO) packages available. Please see the (SLO) configurator at ExtantLighting.com.

LEDS Latest generation of premium Nichia 3-step MacAdam Ellipse LED's available in (90+ CRI) 2700K, 3000K, 3500K, 4000K. LED modules are easily accessible and replaceable.

VOLTAGE Universal 120/277V (VU) and 347V (V3) available. Consult factory for driver options when 347V is specified.

EMERGENCY BATTERY Factory provided low profile 10W emergency battery for UL924 required 90-minute run time (optional).

FINISH Standard finishes include silver anodized, powder coated white or powder coated black. Custom anodized and powder coated finishes available (RAL number matched).

MOUNTING Wall Mounted Rotational Arm with 1" 361° locking rotational arm hubs.

APPROVALS UL and cUL Listed. Approved for Dry/Damp locations. Made in the USA. JA8 Approved.

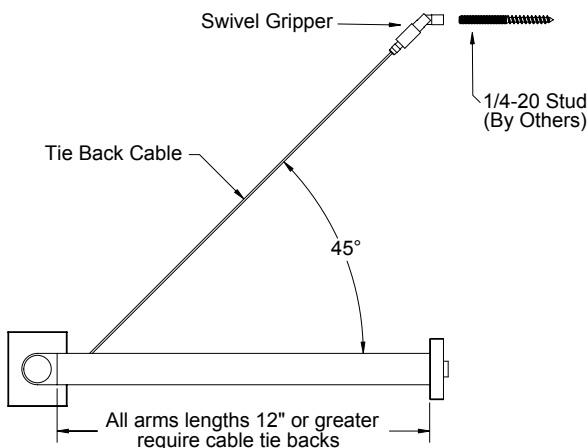
LUMEN MAINTENANCE (L70) 70% of initial light output = Reported > 60,000 hours | Calculated > 200,000 hours (L90) 90% of initial light output = Reported > 60,000 hours | Calculated > 200,000 hours.

WARRANTY HTG 3 offered with a 5-year limited warranty. 5-year limited warranty covers LED, Driver and fixture. For further details, refer to General Warranty and Obligations at ExtantLighting.com.

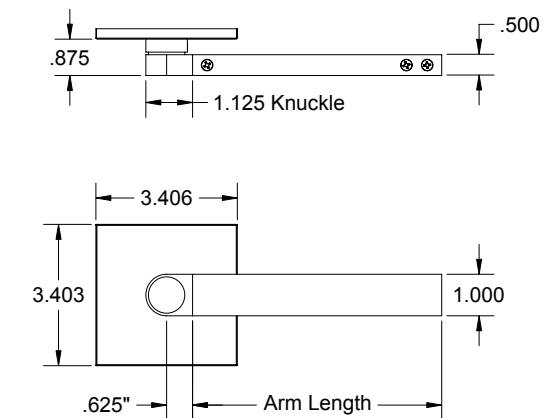
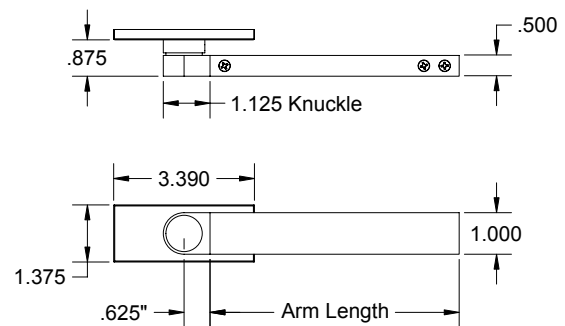
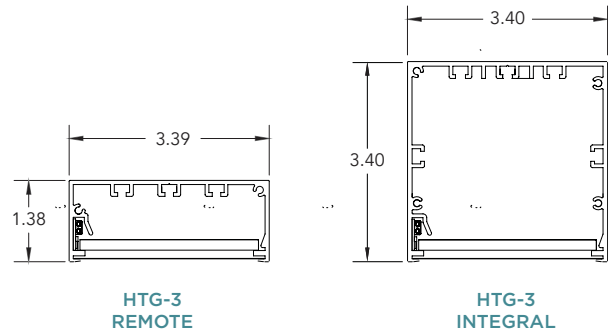
PATENTS Extant Lighting's intellectual property is protected under Patent No. US 11,378,262 B2 by the U.S. Patent Office.

Wall Mount/Tie Back

All arm lengths 12" or greater require cable tie backs.



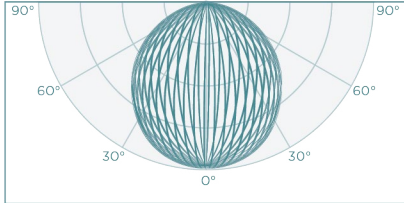
Dimensions



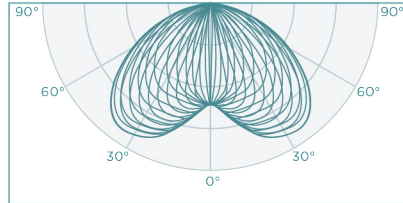
Microstructure EdgeTech Optics (MEO)™

MEO™ Optics can be specified in direct and indirect orientation. Our innovative MEO™ design utilizes high efficiency Microstructure Lenses and Light Guide Plates for high optical extraction and precise light management. MEO™ delivers exceptional light quality with seamless illumination and uniformity with no pixelation or hot spots up to 300'.

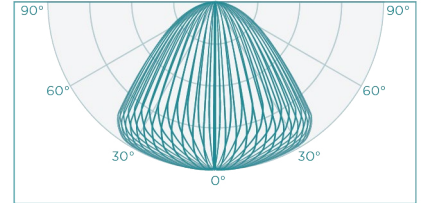
DIRECT



MEO DF
LAMBERTIAN

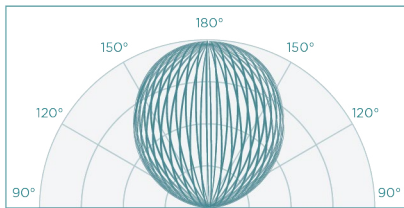


MEO BW
BATWING

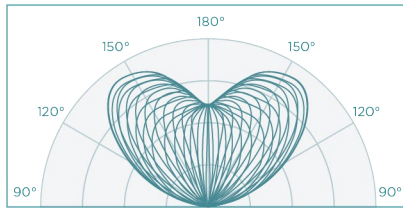


MEO GC
GLARE CONTROL

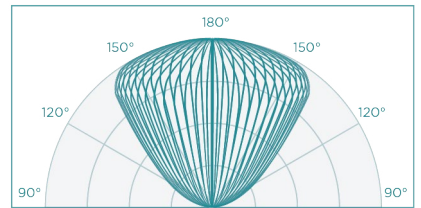
INDIRECT



MEO DF
LAMBERTIAN



MEO BW
BATWING



MEO GC
GLARE CONTROL

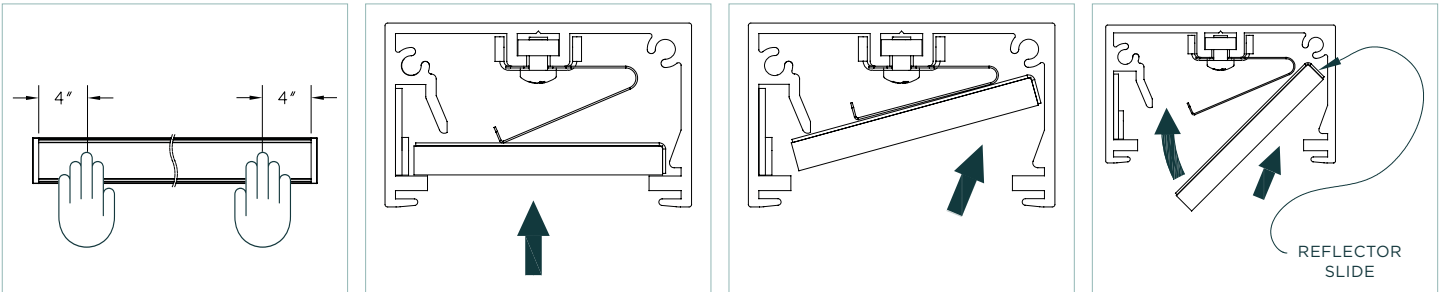


Installation

Thoughtful engineering is at the core of all of our fixture designs. All of our products are thoughtfully engineered and include innovative features that create a sophisticated fixture that is also contractor friendly and easy to install and service.

PUSH TO EJECT SYSTEM

Innovative “Push to Eject” System allows for toolless removal and installation of the Light Guide Plate. This thoughtful engineering creates easy access into the housing for simple installation and serviceability.



QUICK-CLICK 5-WIRE SYSTEM

Our Quick-Click 5-Wire System connects the continuous run through wiring with a simple push and click connection. The Quick-Click System is contractor friendly and decreases installation time and cost and ensures proper wiring.

