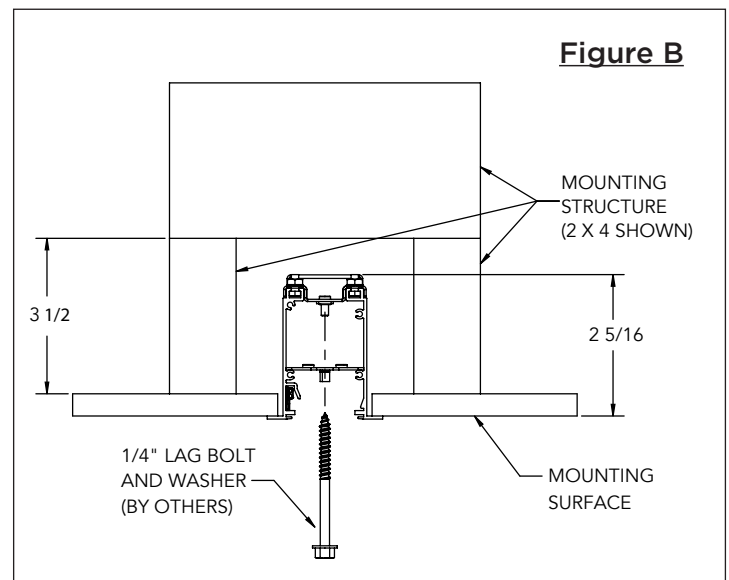
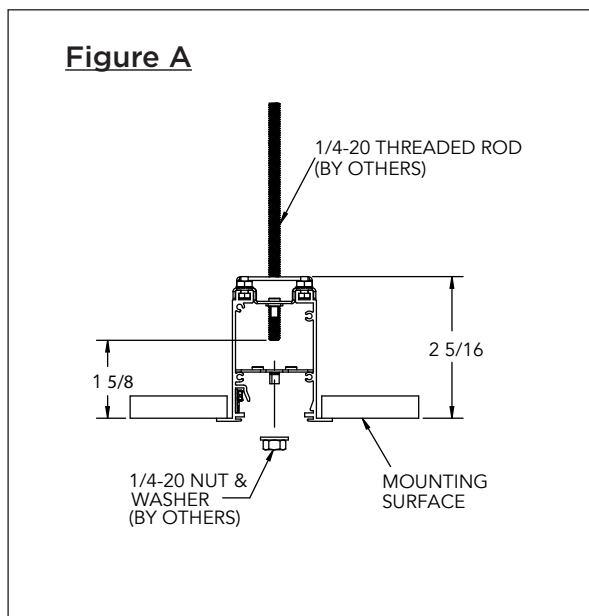


RECESSED LOPRO INTEGRAL DRIVER
RECESSED | TRIM FLANGE (TF)

WARNING! RISK OF FIRE AND ELECTRICAL SHOCK. THIS PRODUCT MUST BE INSTALLED IN ACCORDANCE WITH THE NATIONAL ELECTRICAL CODE AND ALL LOCAL CODES BY A QUALIFIED ELECTRICIAN. DISCONNECT POWER AT ELECTRICAL PANEL BEFORE INSTALLING OR SERVICING.

All wiring must be in accordance with the National Electrical Code and all local codes. Grounding must be in accordance with NEC article 250.

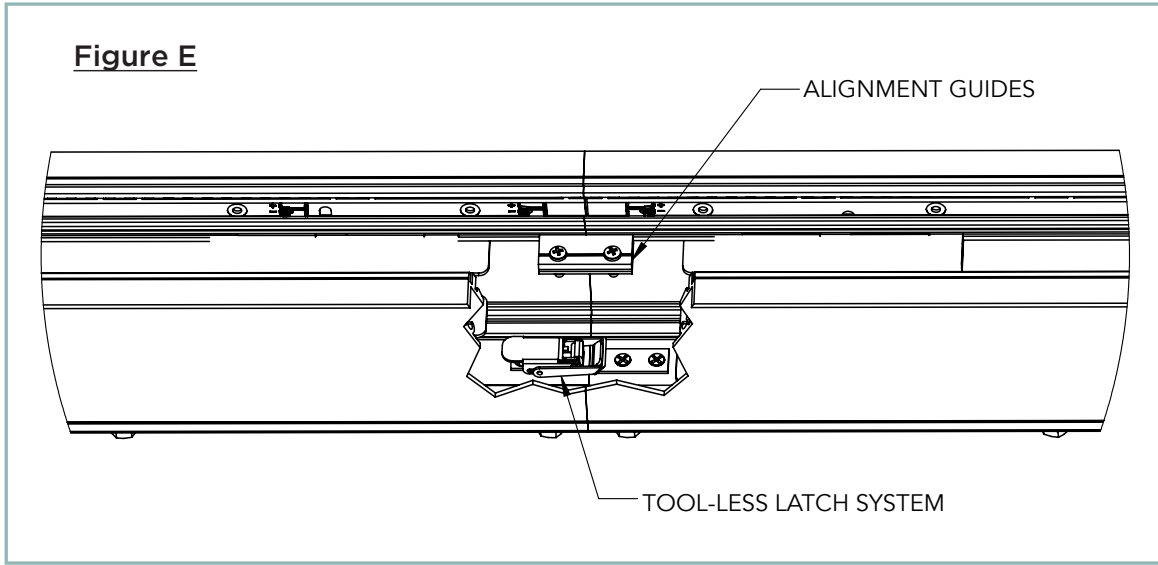
Reference appropriate Continuous Row Detail for Mounting Centers, AWM locations and fixture lengths for your fixture. These Continuous Row Detail pages, and relevant Wiring Diagrams can be found at www.extantlighting.com on each product page, for the appropriate mounting version, as well as these installation instructions.



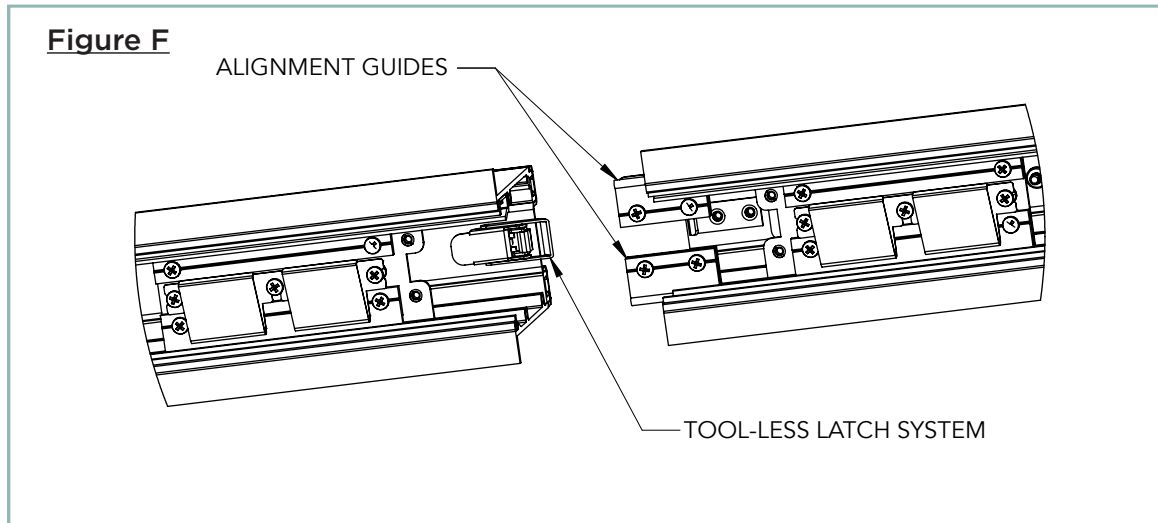
1. Determine mounting method, 1/4-20 threaded rod, nut & washer (by others) (Figure A) or 1/4" lag bolt & washer (by others) (Figure B)
2. Make rough-in cutout in surface for the fixture. Refer to the Continuous Row Detail for rough-in width and length.
3. Install structure above rough-in cutout over fixture mounting points. Refer to Continuous Row Detail for mounting centers. For 1/4-20 threaded rod method, attach threaded rods to structure.
4. Remove Liner Assemblies. See page 4-8 for instructions.
5. Connect conduit to back of housing

6. Make feed connections in fixture.
 - For Stand-Alone fixtures continue to step 7. For Continuous Rows skip to step 8.
7. Insert fixture into opening and secure with 1/4-20 nuts & washers on the 1/4-20 threaded rods (by others) or 1/4" lags bolt & washers (by others). Warning: Do not over tighten as this may distort the fixture. Skip to step 12.
8. For Continuous Rows, insert Starter fixture into opening. Install 1/4-20 nuts & washers on the 1/4-20 threaded rods (by others) or 1/4" lag bolts & washers (by others) but do not completely tighten.





9. Insert Middle fixture(s). Loosen Alignment Guides (Figure E) and slide them halfway between fixtures. Secure with Tool-Less Latch System. Install 1/4-20 nuts & washers on the 1/4-20 threaded rods (by others) or 1/4" lag bolts & washers (by others) but do not completely tighten. Tighten Alignment Guides. Make thru-wire connections between fixtures.



10. Insert End fixture. Loosen Alignment Guides (Figure F) and slide them halfway between Middle and End fixture. Secure with Tool-Less Latch System. Install 1/4-20 nuts & washers on the 1/4-20 threaded rods (by others) or 1/4" lag bolts & washers (by others) but do not completely tighten. Tighten Alignment Guides. Make thru-wire connections between fixtures.

11. Tighten all 1/4-20 nuts & washers on the 1/4-20 threaded rods or 1/4" lag bolts & washers. Warning: Do not over tighten as this may distort the fixtures.

12. Install Liner Assemblies. See page 4-8 for instructions.

LINER INSTALLATION AND REMOVAL INSTRUCTIONS

INSTRUCTIONS FOR LINER ASSEMBLY REMOVAL WHEN FIXTURE IS RESTING ON WORK BENCH.

- Using a finger or spudger stick, slide the first Liner Latch Release (Figure A) and lift the end of the Liner Assembly 1/2" (Figure B). Note: grasp the Optic Shade with finder tips to lift up. **Warning:** do not lift the Liner Assembly out of the fixture yet, damage to the alignment pins will occur.

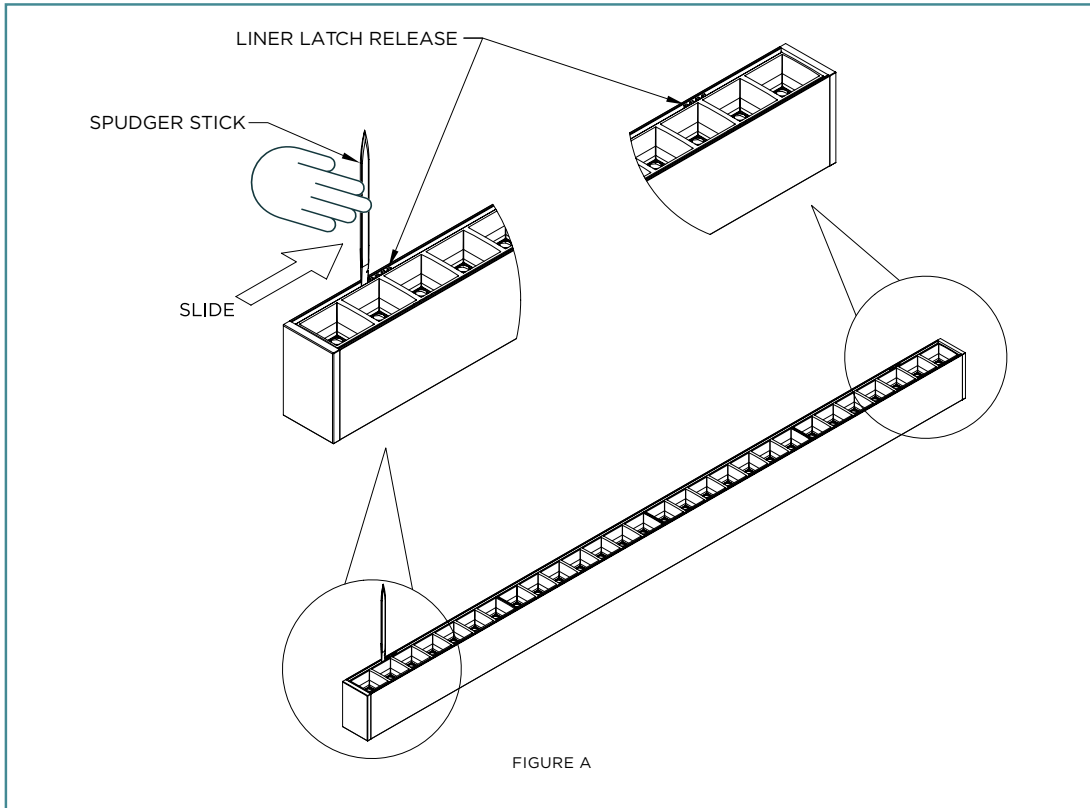


FIGURE A

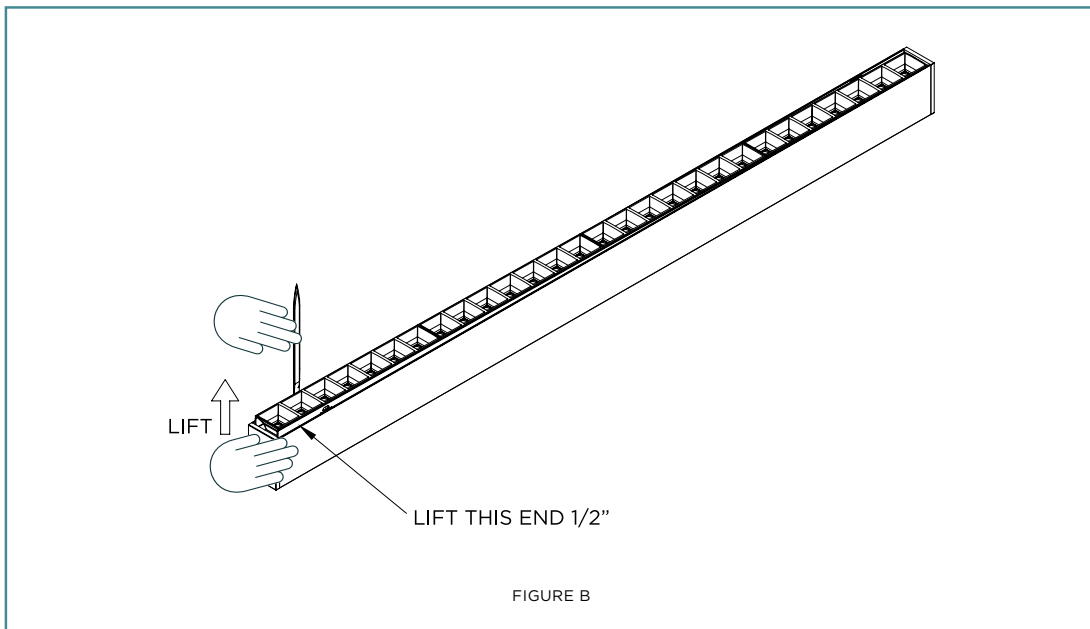
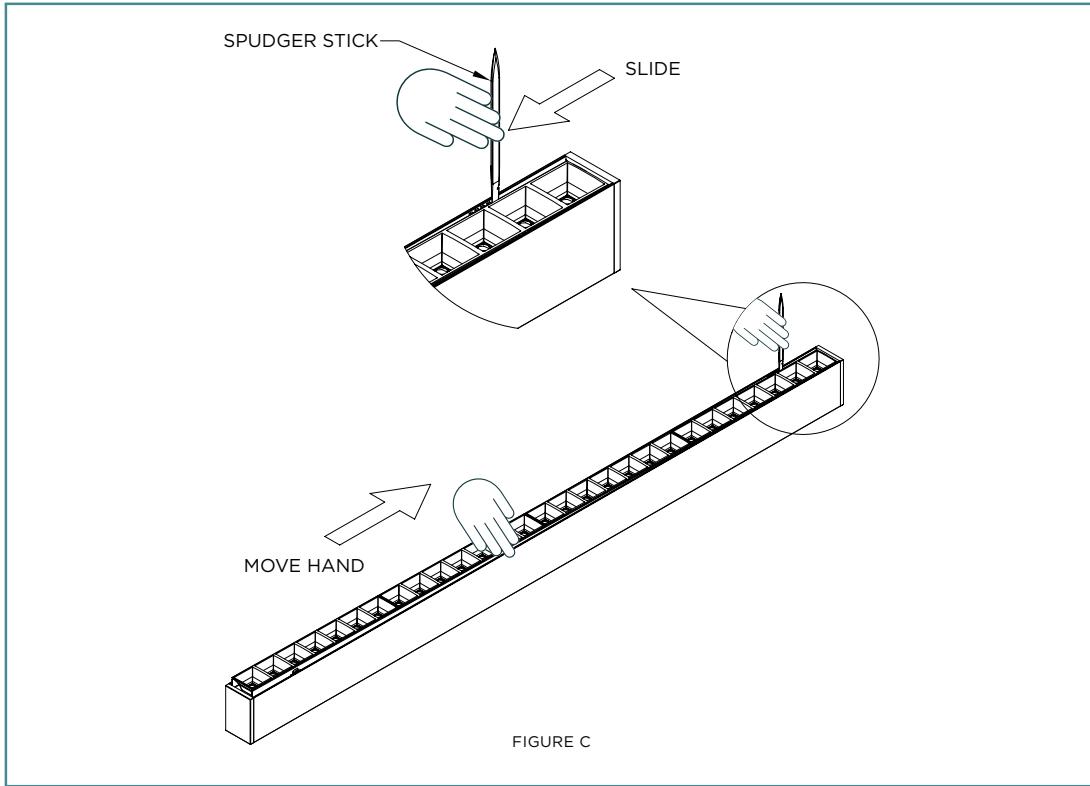
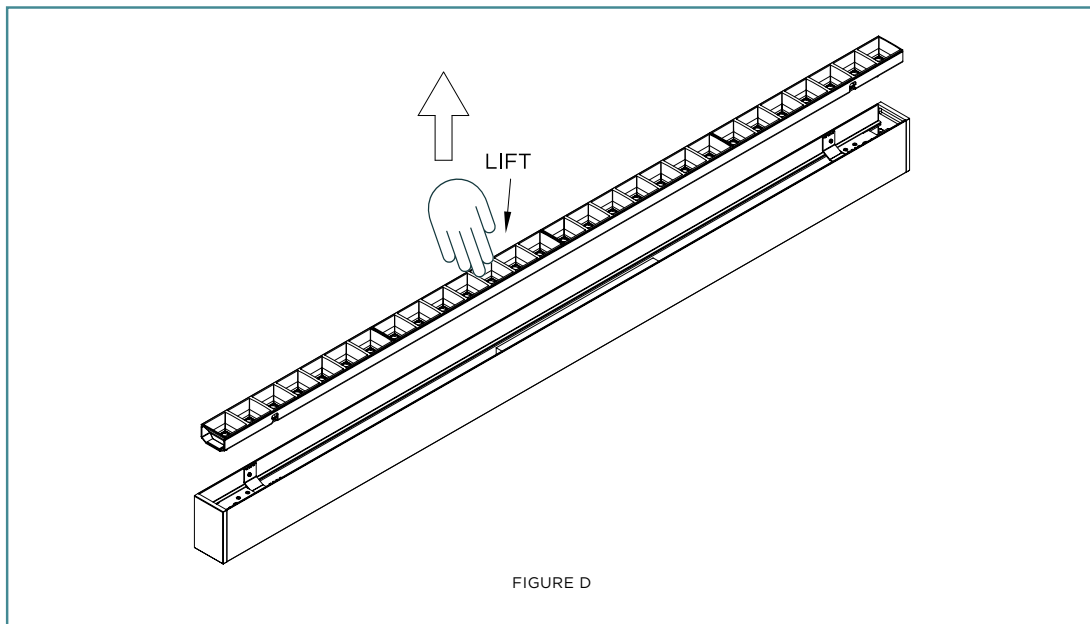


FIGURE B





2. Move the hand holding the Liner towards the center of the Liner (Figure C).
3. Using a finger or spudger stick, slide the second Liner Latch Release (Figure C) and lift the Liner Assembly out of the fixture (Figure D). Place the Liner Assembly on work bench next to the fixture.
4. Disconnect wires and place the Liner Assembly in a safe place.



INSTRUCTIONS FOR LINER ASSEMBLY REMOVAL WHEN FIXTURE IS INSTALLED.

1. Place hand under Liner Assembly approximately 8" from the end (Figure E). Using a finger or spudger stick, slide the first Liner Latch Release (Figure E) and allow the end of the Liner Assembly to drop 1/2" (Figure F). Warning: do not allow the Liner Assembly to drop out of the fixture yet, damage to the alignment pins will occur.

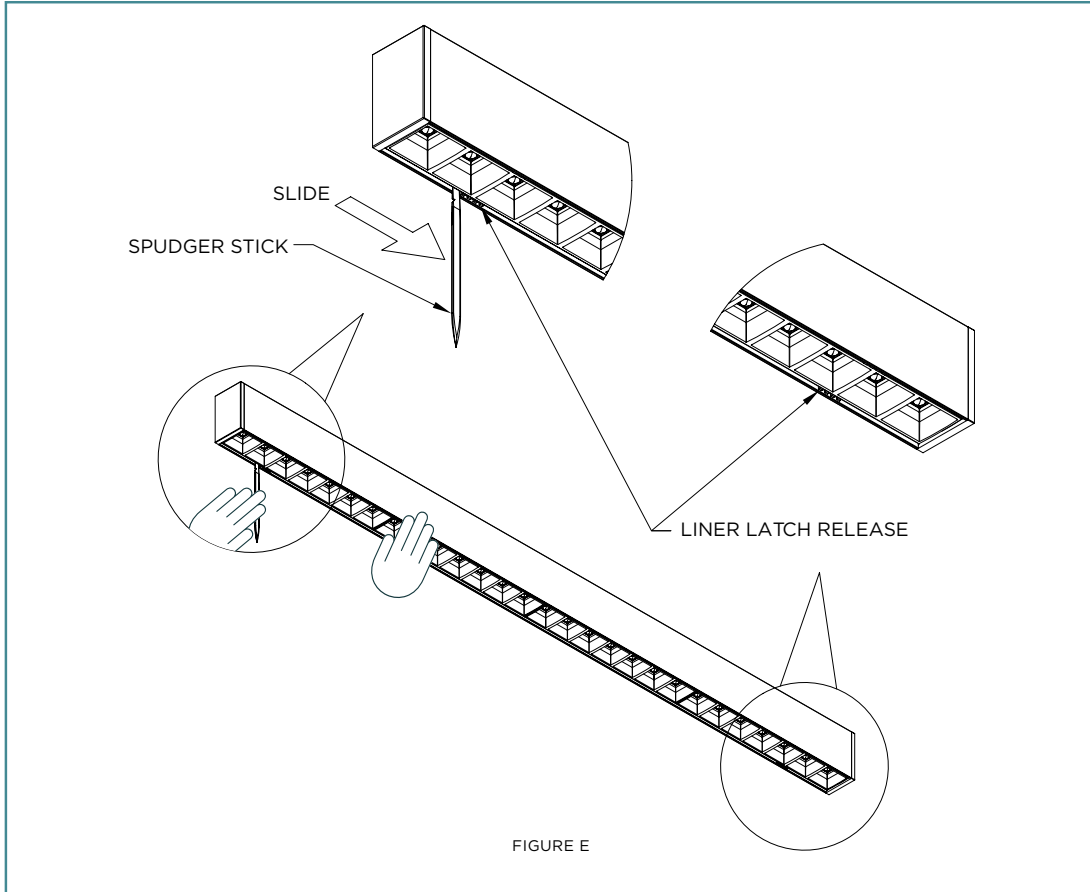


FIGURE E

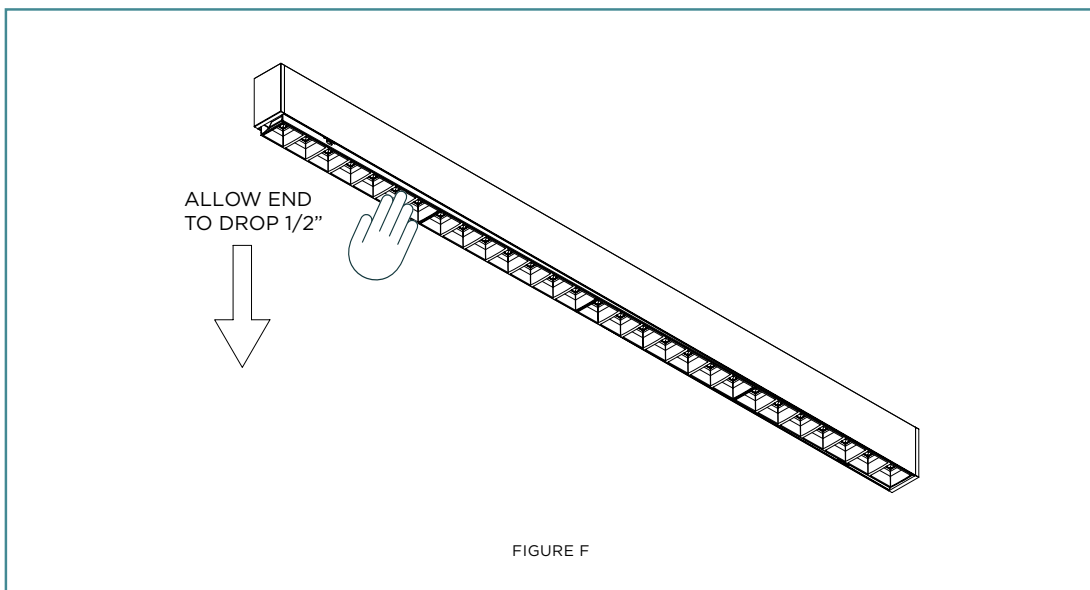
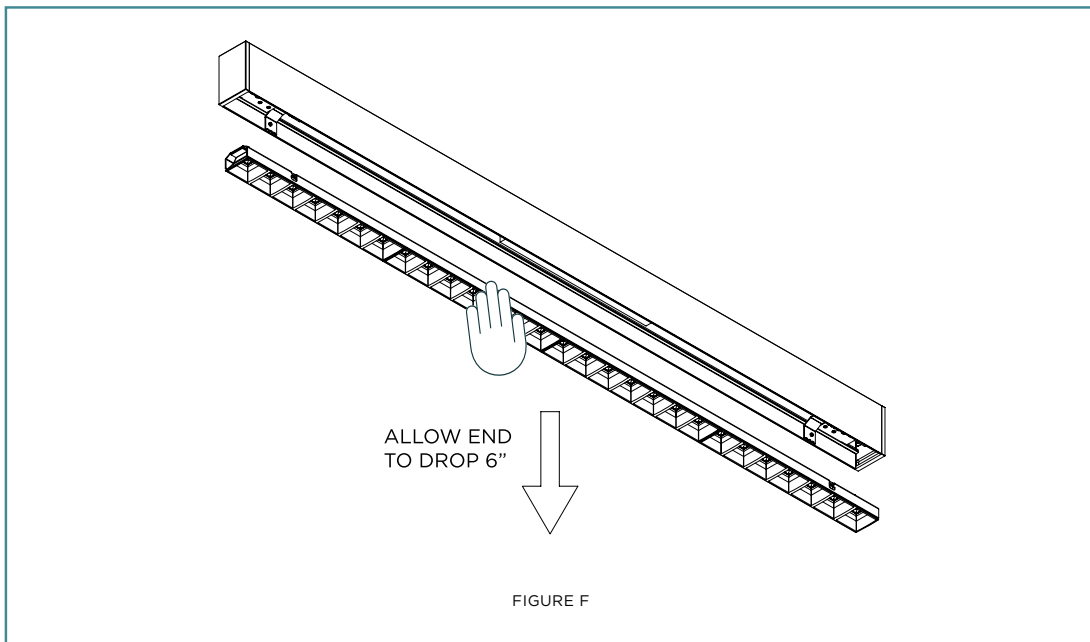
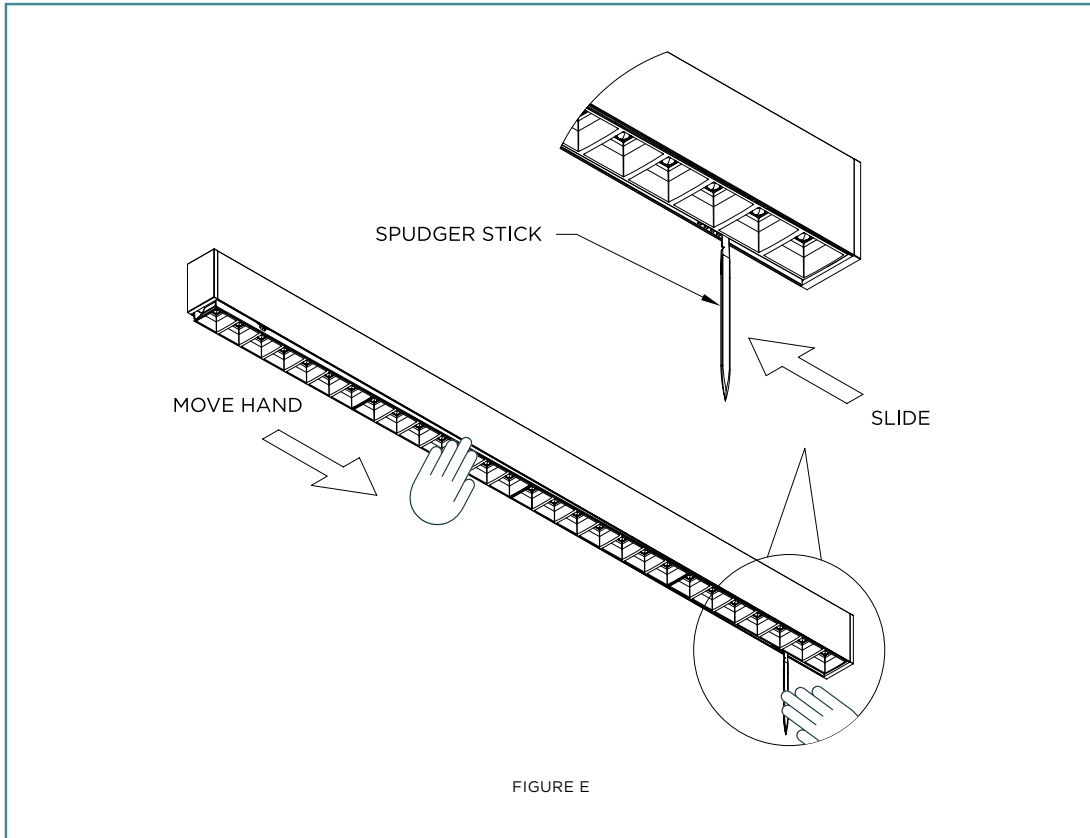


FIGURE F

2. Move the hand that's under the Liner Assembly towards the center of the Liner Assembly (Figure G).
3. Using a finger or spudger stick, slide the second Liner Latch Release (Figure G) and allow the Liner Assembly to drop out of the fixture approximately 6" (Figure H).
4. Disconnect wires and place the Liner Assembly in a safe place.



INSTRUCTIONS FOR LINER ASSEMBLY INSTALLATION.

1. Align the pins on each end of the Liner Assembly with the mating holes in the Liner Latch Bracket as the Liner Assembly is installed (Figure J).
2. During installation of continuous runs, it will be necessary to move the Liner Latch Brackets to connect the segments. You need to move them back into position and ensure the Alignment Pins line up with the mating holes.

