

**WALL MOUNTED REMOTE/INTEGRAL DRIVER**

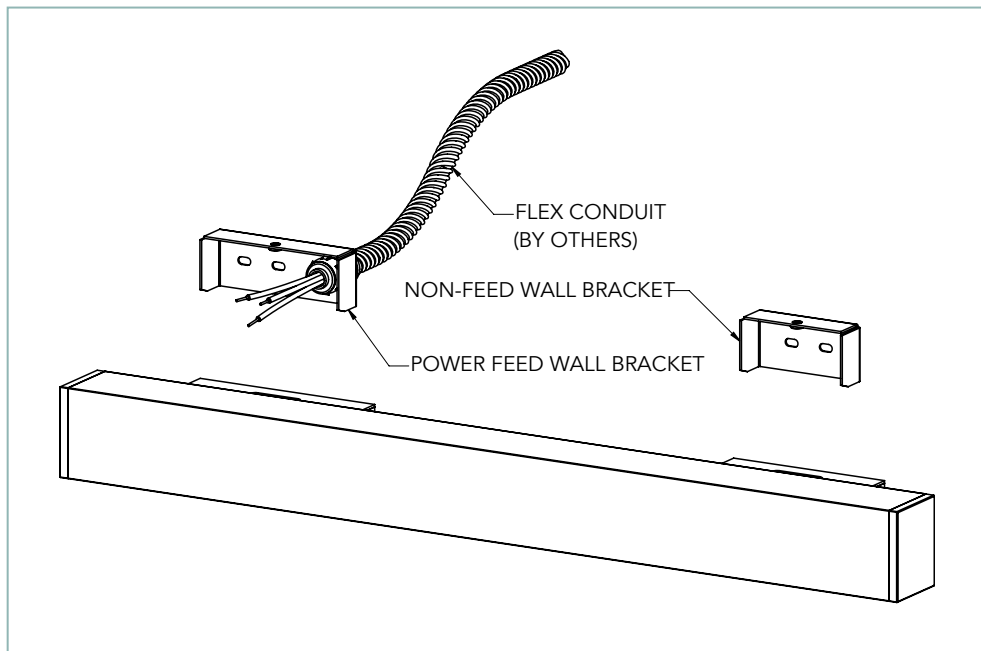
WALL | SURFACE WALL (SW)

**WARNING!** RISK OF FIRE AND ELECTRICAL SHOCK. THIS PRODUCT MUST BE INSTALLED IN ACCORDANCE WITH THE NATIONAL ELECTRICAL CODE AND ALL LOCAL CODES BY A QUALIFIED ELECTRICIAN. DISCONNECT POWER AT ELECTRICAL PANEL BEFORE INSTALLING OR SERVICING.

All wiring must be in accordance with the National Electrical Code and all local codes. Grounding must be in accordance with NEC article 250.

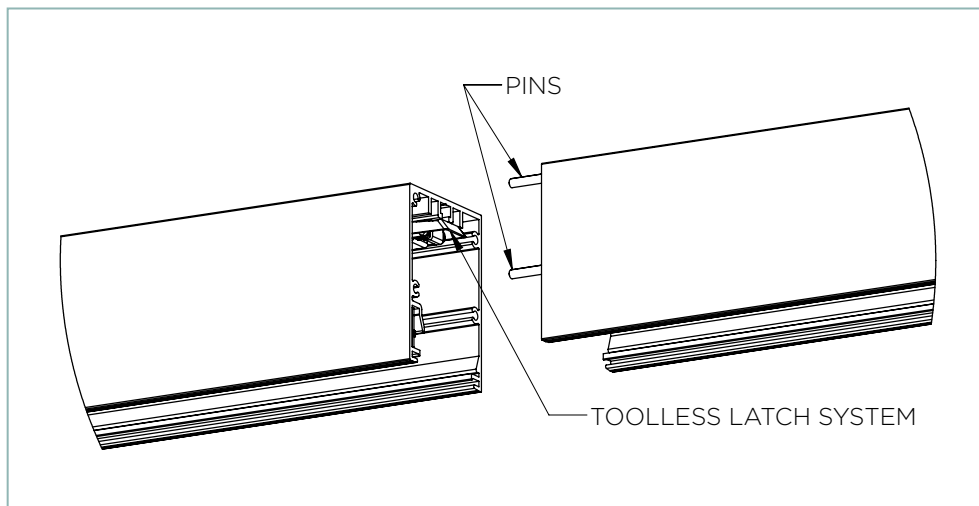
Reference appropriate Continuous Row Detail for Mounting Centers, lumen rate table locations and fixture lengths for your fixture. These Continuous Row Detail pages, and relevant Wiring Diagrams can be found at [www.extantlighting.com](http://www.extantlighting.com) on each product page, for the appropriate mounting version, as well as these installation instructions.

**INTEGRAL DRIVER FIXTURE INSTALLATION INSTRUCTIONS**

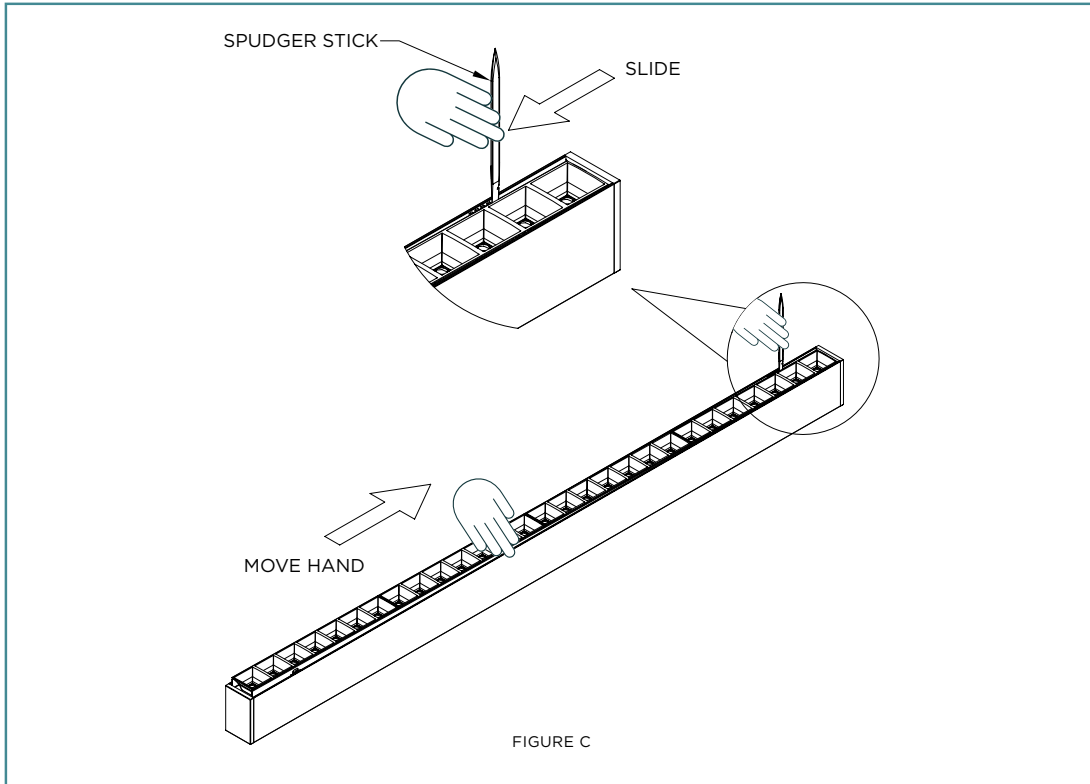


1. Refer to the Continuous Row detail for the location of the Wall Mounting Brackets and power feed.
2. Pull flex conduit thru wall and connect to the power feed Wall Bracket 1/2" KO.
3. Attach power feed Wall Bracket and non-feed Wall Bracket(s) to wall with #10 screws (by others).
4. Remove Liner Assemblies. See page 3-7 for instructions.
  - For Stand-Alone fixtures continue to step 5. For Continuous Rows skip to step 7.

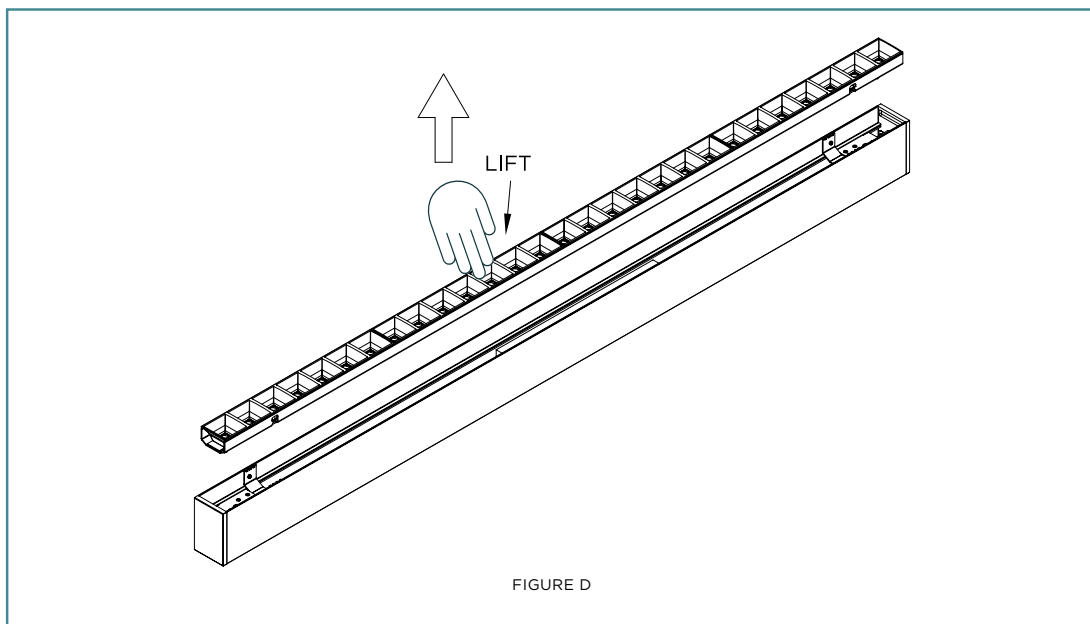
5. Pull feed wires from flex conduit into fixture and mount fixture on Wall Brackets. Install and tighten screws.
6. Make feed connections in fixture. Skip to step 13.
7. For Continuous Rows, remove all Liner Assemblies. See page 3-7 for instructions.
8. Pull feed wires from flex conduit into Starter fixture and mount fixture on Wall Brackets. Install but do not completely tighten screws.
9. Make feed connections in fixture.



10. Mount Middle fixture(s) on Wall Brackets and attach to adjacent fixture by sliding the Connector Pins into their respective slots and secure with Tool-Less Latch System. Install screws but do not completely tighten. Make thru-wire connections between fixtures.
11. Mount End fixture on Wall Brackets and attach to adjacent fixture by sliding the Connector Pins into their respective slots and secure with Toolless Latch System. Install screws but do not completely tighten. Make thru-wire connections between fixtures.
12. Tighten all screws.
13. Install Liner Assemblies. See page 3-7 for instructions.



2. Move the hand holding the Liner towards the center of the Liner (Figure C).
3. Using a finger or spudger stick, slide the second Liner Latch Release (Figure C) and lift the Liner Assembly out of the fixture (Figure D). Place the Liner Assembly on work bench next to the fixture.
4. Disconnect wires and place the Liner Assembly in a safe place.



**INSTRUCTIONS FOR LINER ASSEMBLY REMOVAL WHEN FIXTURE IS INSTALLED.**

1. Place hand under Liner Assembly approximately 8" from the end (Figure E). Using a finger or spudger stick, slide the first Liner Latch Release (Figure E) and allow the end of the Liner Assembly to drop 1/2" (Figure F). Warning: do not allow the Liner Assembly to drop out of the fixture yet, damage to the alignment pins will occur.

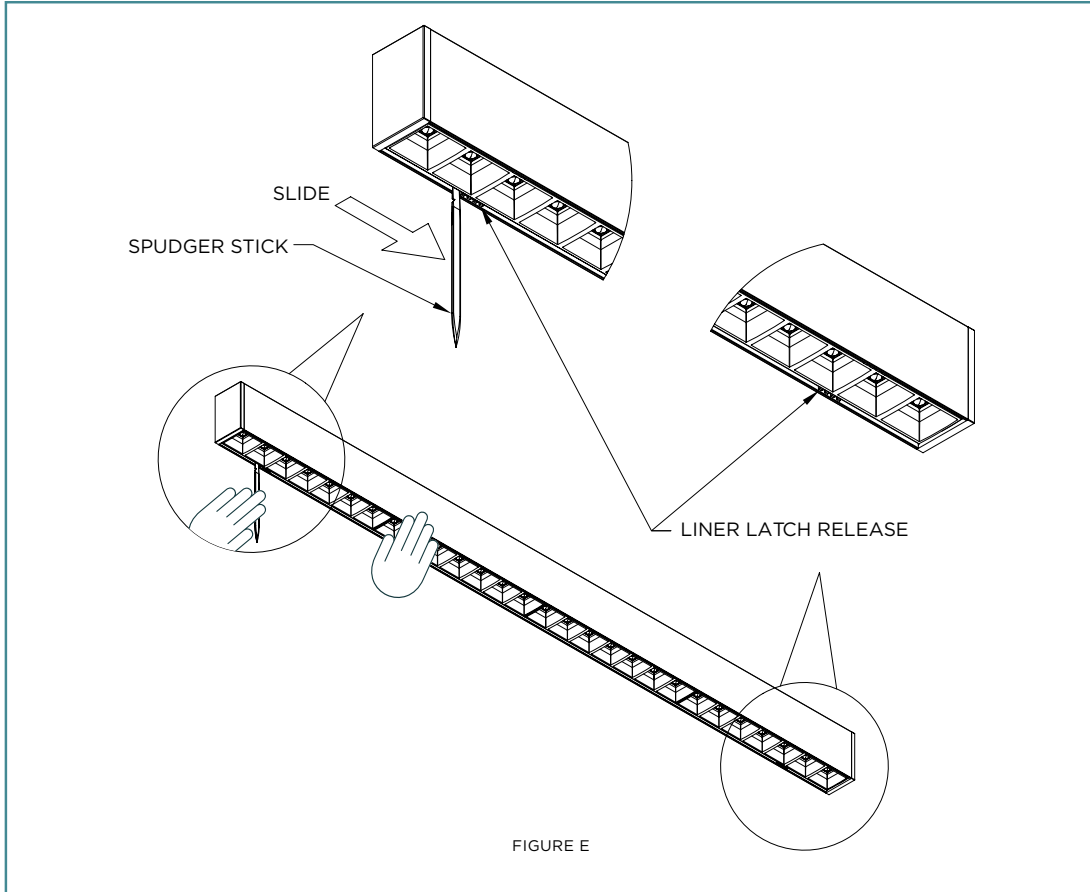


FIGURE E

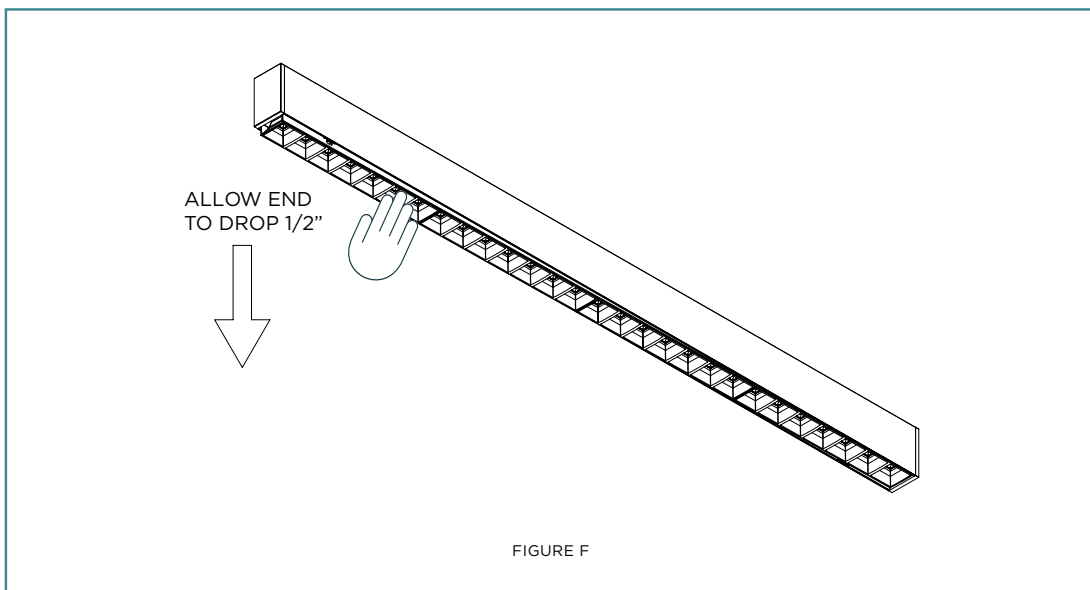
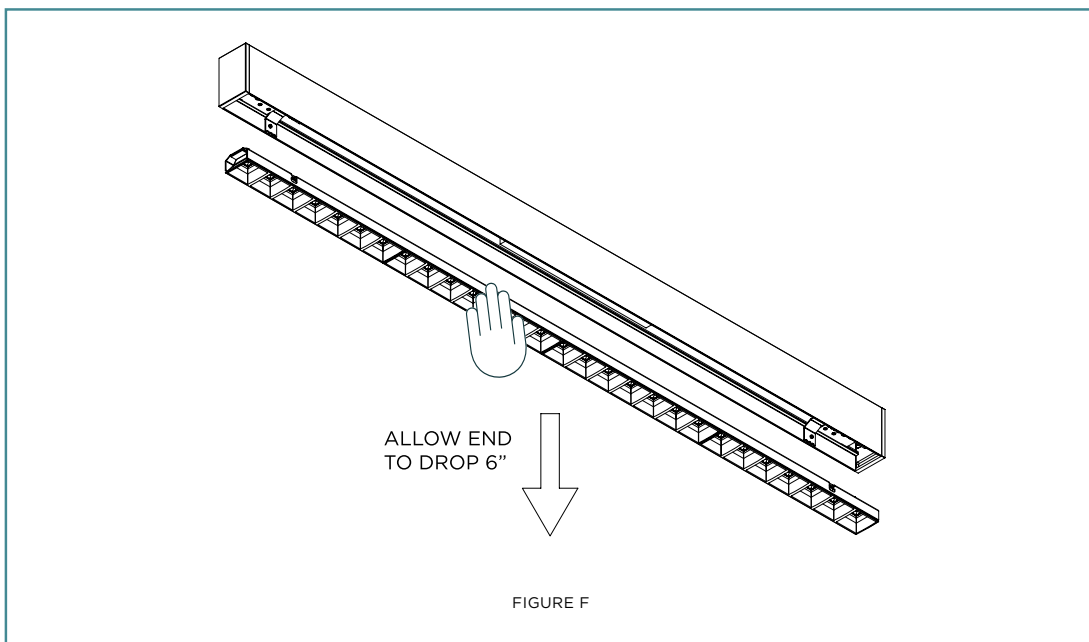
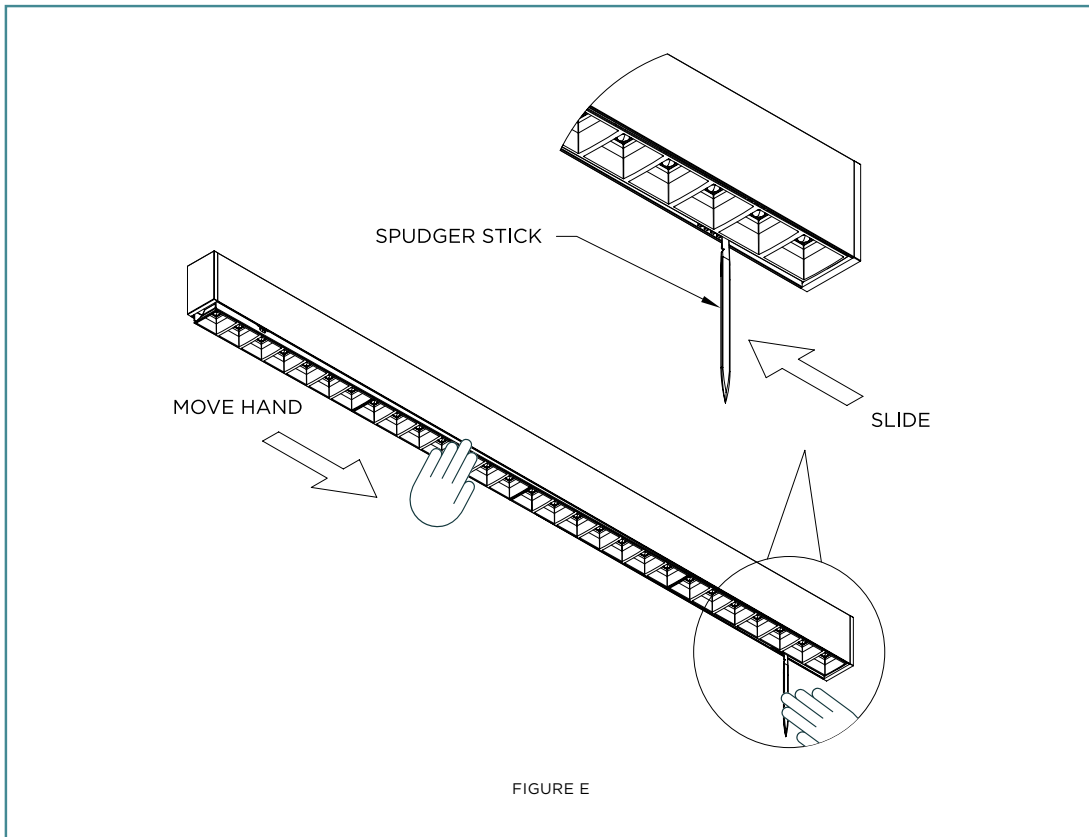


FIGURE F



2. Move the hand that's under the Liner Assembly towards the center of the Liner Assembly (Figure G).
3. Using a finger or spudger stick, slide the second Liner Latch Release (Figure G) and allow the Liner Assembly to drop out of the fixture approximately 6" (Figure H).
4. Disconnect wires and place the Liner Assembly in a safe place.



**INSTRUCTIONS FOR LINER ASSEMBLY INSTALLATION.**

1. Align the pins on each end of the Liner Assembly with the mating holes in the Liner Latch Bracket as the Liner Assembly is installed (Figure J).
2. During installation of continuous runs, it will be necessary to move the Liner Latch Brackets to connect the segments. You need to move them back into position and ensure the Alignment Pins line up with the mating holes.

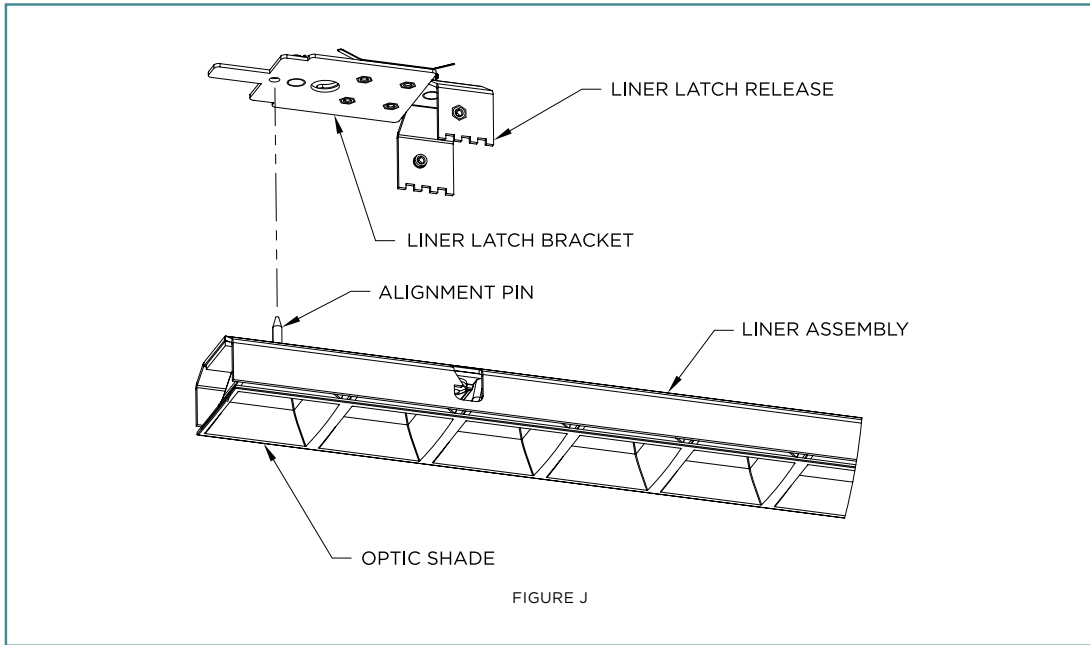


FIGURE J