

SURFACE T-GRID REMOTE DRIVER

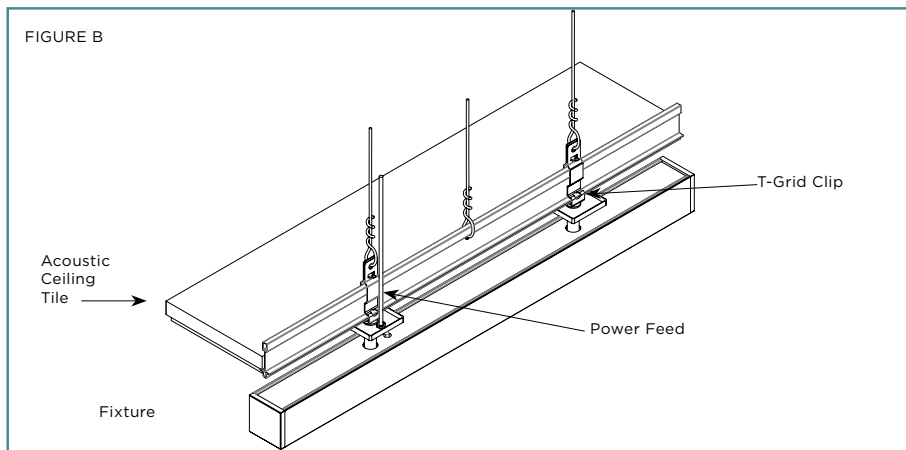
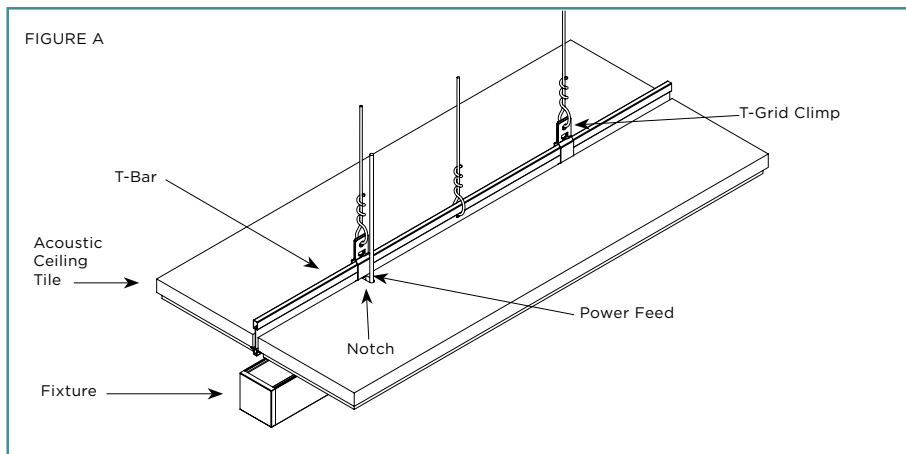
WARNING! RISK OF FIRE AND ELECTRICAL SHOCK. THIS PRODUCT MUST BE INSTALLED IN ACCORDANCE WITH THE NATIONAL ELECTRICAL CODE AND ALL LOCAL CODES BY A QUALIFIED ELECTRICIAN. DISCONNECT POWER AT ELECTRICAL PANEL BEFORE INSTALLING OR SERVICING.

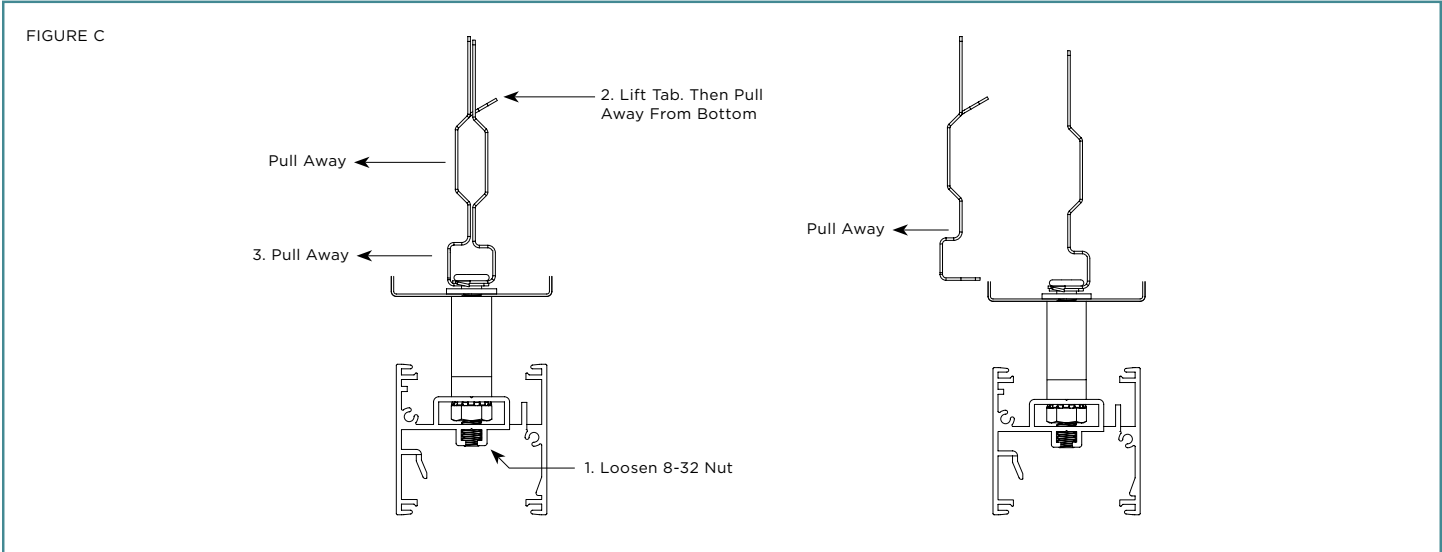
All wiring must be in accordance with the National Electrical Code and all local codes. Grounding must be in accordance with NEC article 250.

Reference appropriate Continuous Row Detail for Mounting Centers, plenum rated cable locations and fixture lengths for your fixture. These Continuous Row Detail pages, and relevant Wiring Diagrams can be found at www.extantlighting.com on each product page, for the appropriate mounting version, as well as these installation instructions.

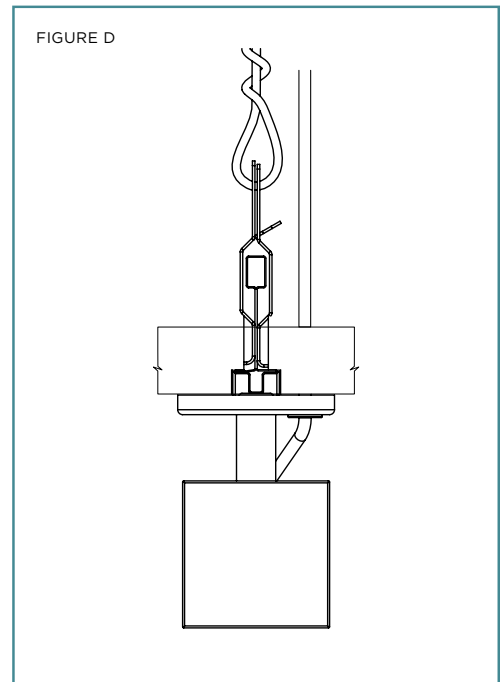
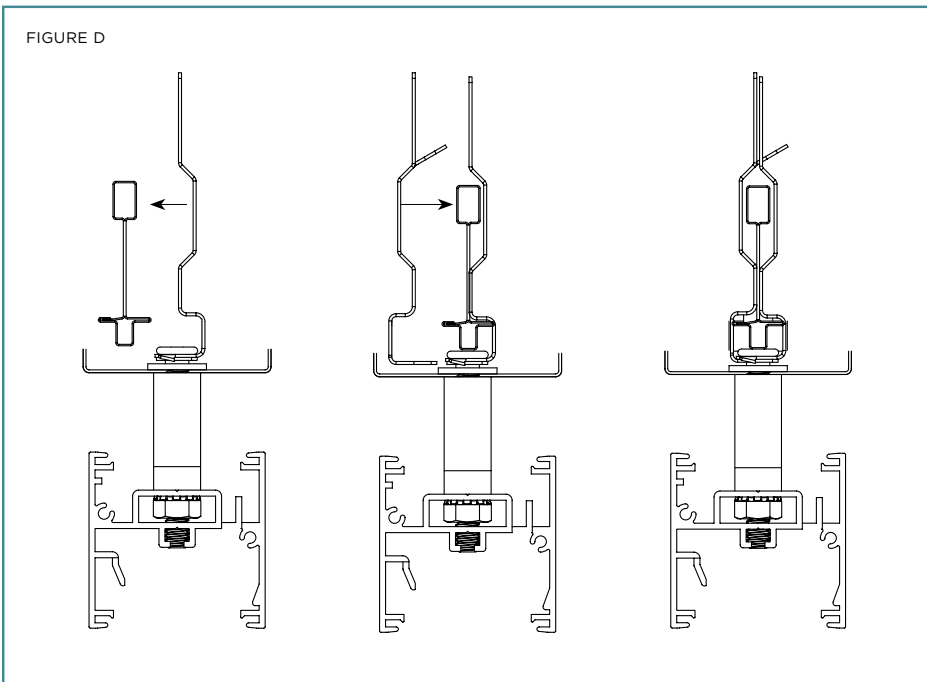
FOR STAND ALONE OR STARTER OF CONTINUOUS ROW.

1. Reference Continuous Row Detail for mounting centers and feed location.
2. Mark power feed locations on Acoustic Ceiling Tiles (ACTs). (See Figure A & B).
3. Remove ACT on both sides of the T-bar for the overall length of the Stand-Alone fixture in order to affix the Tbar clips to the T-bar structure.
4. Make a notch in the ACT(s) to accept the plenum rated power feed(s) at the pre-marked mounting location(s). Typical length of plenum rated cord provided is 10 ft. Longer cable can be provided if required.





5. Install Remote Driver Box within reach of fixture's pre-wired plenum rated cable (10' provided as standard). Feed cable through the Pre-drilled hole drilled in ACT to Remote Driver Box and secure through one of Remote Driver Box 1/2" KO's using 7/8" Reducer Bushing and 1/2" Strain Relief. Bring line voltage and ground to Remote Driver Box and make up all wires inside Remote Driver Box per provided Wiring Diagram.
6. To affix the fixture to the T-bar structure, remove the detachable clip(s) from the T-bar clip assemblies at all mounting points. As shown in Figure C.
7. Secure the clip(s) attached to the fixture around the T-bar and then re-attach the loose clip previously removed. As shown in Figure D.
8. Should local building code require, attach hanger wires (by others) to T-Grid clips. As shown in Figure E.
9. Install ACT(s).



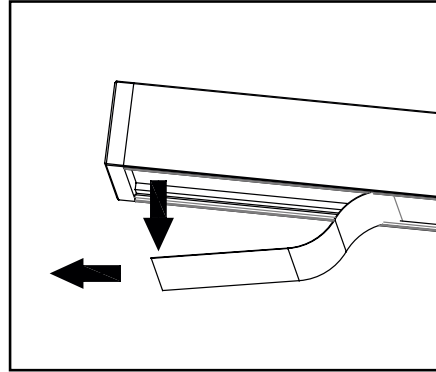
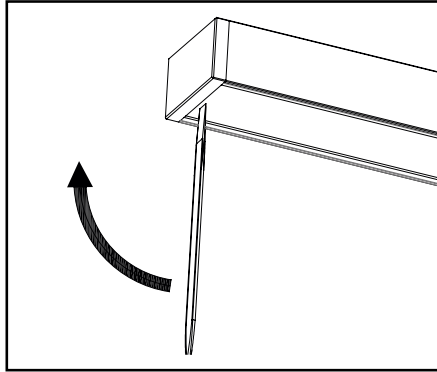
CONTINUOUS ROWS

1. Mark power feed locations on ACT tiles. (See Figure A & B)
2. Remove Acoustic Ceiling Tiles on both sides of the T-bar for the length of the Stand-Alone fixture in order to affix the T-bar clips to the T-bar structure.
3. Make a notch in the ACT tiles to accept the plenum rated power feed(s) at the pre-marked mounting location(s).
4. Install Remote Driver Boxes within reach of each of the fixture(Middle(s) & End) pre-wired plenum rated cable (10' provided). Feed cable through the pre-notched hole drilled in ACT to Remote Driver Boxes and secure through one of Remote Driver Boxes 1/2" KO's using 7/8" Reducer Bushing and 1/2" Strain Relief. Bring line voltage and ground to Remote Driver Box and make up all wires inside Remote Driver Box per provided Wiring Diagram.
5. For all continuing sections attach the Middle/End fixture to Starter/Middle fixture by sliding the Connector Pins into their respective slots on the Starter/Middle fixture.
6. Once the Connector Pins have connected the two fixtures use the Tool-Less Latch System to secure them together.
7. To affix the fixture to the T-bar structure, remove the detachable clip from the T-bar clip assemblies from the starter fixture. As shown in Figure C.
8. Secure the clip attached to the fixture around the T-bar and then re-attach the loose clip previously removed. As shown in Figure D.
9. Should local building code require, attach hanger wires (by others) to T-grid Clips should local building code requires. As shown in Figure E.
10. Install Acoustic Ceiling Tile(s).

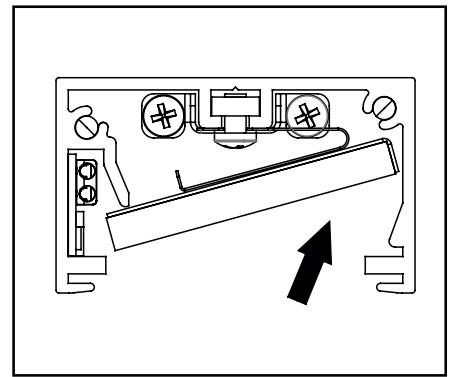
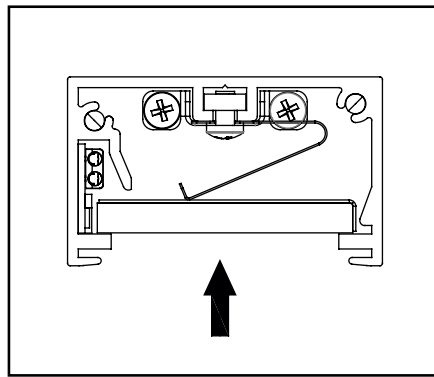
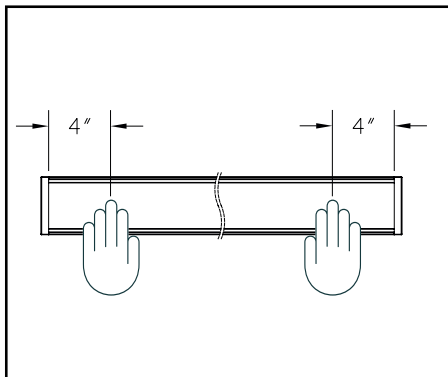


LIGHT GUIDE PLATE (LGP) INSTALLATION AND REMOVAL INSTRUCTIONS

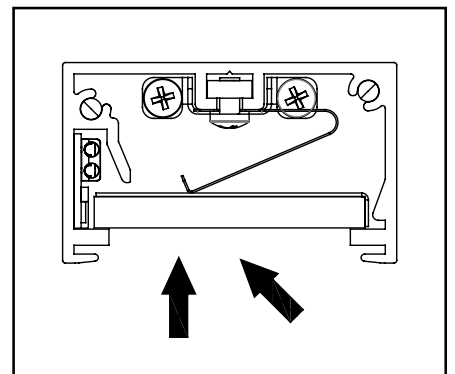
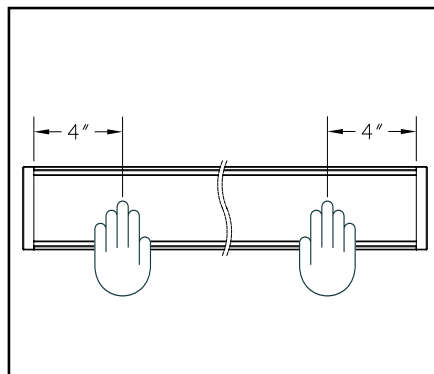
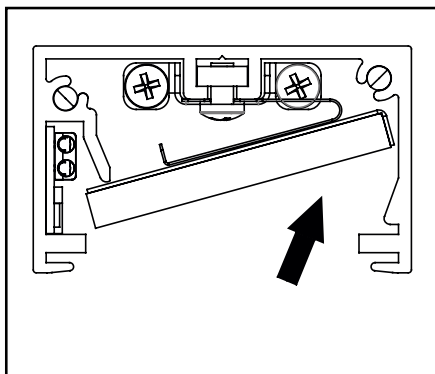
1. Diffuser removal. Insert included tool between diffuser and endcap and gently pry the diffuser. Gently pull the diffuser down and away. Alternatively, the MEO Optic Tool provided can be used.



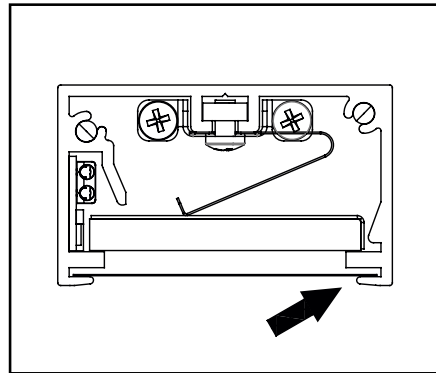
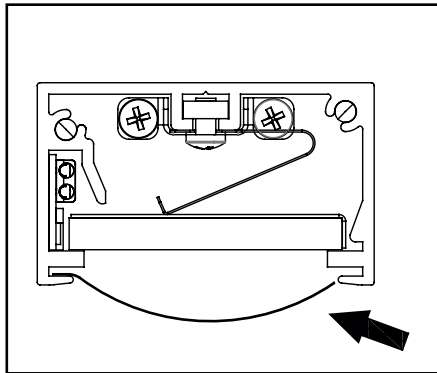
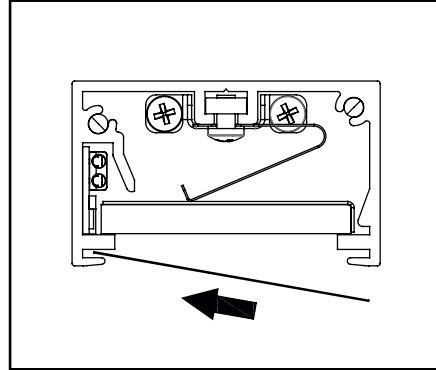
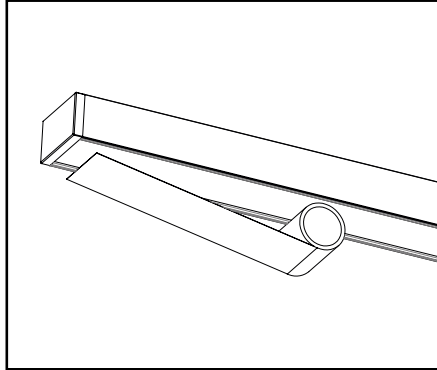
2. LGP (Light Guide Plate) removal. Utilizing the Extant Tool-Less Push & Eject System push on LGP approximately 4" from each end. You will notice the side closest to the led only moves a small distance. Continue pushing on the side opposite the LED until the LGP is released. You may have to push on the LGP several times to release it. **Note: it helps to moisten fingertips slightly during this process.**



3. LGP installation. Insert LGP with the reflector side opposite the LED at approximately 45 degrees. Push LGP approximately 4" from each end to compress Tool-Less Push to Eject System and push towards LED. Push LGP several times up and towards the LED to ensure it is seated properly. Note: it helps to moisten fingertips slightly during this process.

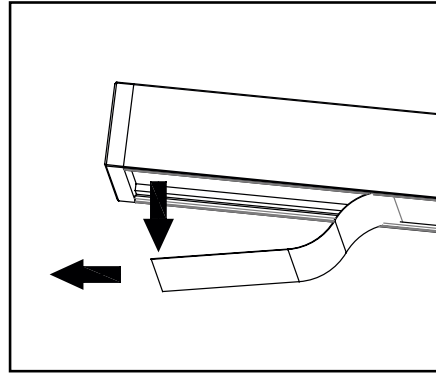
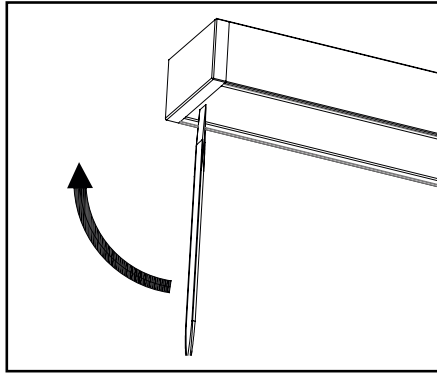


1. Diffuser installation. Start with diffuser rolled up. Unroll 9-12 inches and insert one side of diffuser into the channel of the extrusion. Squeeze diffuser causing it to curve outward and insert opposite side into channel. Slide fingers along diffuser to insert into channels as you unroll it. Continue this process until diffuser is fully installed. For long fixtures or runs tape the beginning of the diffuser to the end cap with a removable type tape such as blue painters tape.

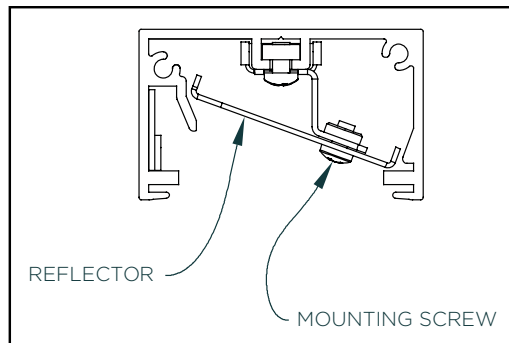


ASYMMETRIC REFLECTOR INSTALLATION AND REMOVAL INSTRUCTIONS

1. Diffuser removal. Insert included MEO Optic Tool between diffuser and endcap and gently pry the diffuser. Gently pull diffuser down and away.



2. Reflector removal. Remove mounting screws and remove reflector.



3. Reflector installation. Place reflector on mounting brackets and install mounting screws.
4. Diffuser installation. Start with diffuser rolled up. Unroll 9-12 inches and insert one side of diffuser into the channel of the extrusion. Squeeze diffuser causing it to curve outward and insert opposite side into channel. Slide fingers along diffuser to insert into channels as you unroll it. Continue this process until diffuser is fully installed. For long fixtures or runs tape the beginning of the diffuser to the end cap with a removable type tape such as blue painters tape.

