



Huntington 1 Series

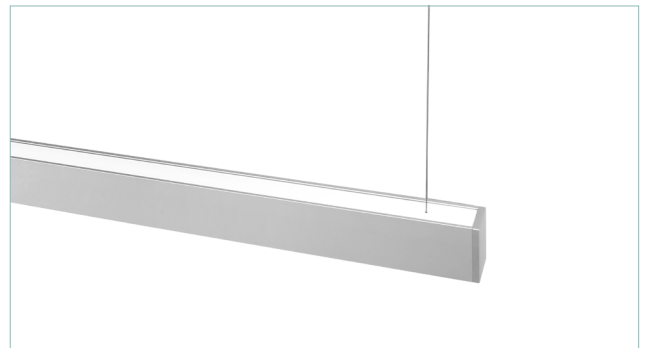
# HTGDU-1P

DIRECT | INDIRECT - SUSPENDED

Brilliant by Design™, minimalistic aesthetic combined with our innovative Microstructure EdgeTech Optics (MEO)™ will bring your vision to light. The innovative MEO™ design utilizes high efficiency Microstructure Lenses and Light Guide Plates for high optical extraction and precise light management.

## FEATURES

- Innovative Microstructure EdgeTech Optics™ delivers unparalleled optic control and exceptional performance with seamless illumination and uniformity. Specify Batwing, Glare Control, Diffused (Lambertian), Room Fill, Ceiling Wash or Wall Wash Optics.
- MEO™ allows for minimalistic 1.5" Aperture fixtures with extremely low profiles.
- PRO optics available with Asymmetric, Wide, Batwing and Diffusing distributions.
- Individually controlled Direct and Indirect MEO™ optics and lumen outputs.
- Custom Powder Coat finishes available.
- Innovative Toolless "Push to Eject" system allows for easy installation and serviceability.
- Individual fixture lengths and seamless continuous rows with no lens breaks, pixelation or hot spots up to 250 feet.
- Aircraft Cable or 361° locking Aircraft Cable Rotational mounting.
- Integral Driver, Remote Driver, and Emergency Driver options.
- Specified Lumen Outputs (SLO) available up to 1480 lm/ft.
- 90+ CRI as a standard with color tuning available.
- Proudly crafted in Huntington Beach, CA - USA.
- BABA compliant in most configurations. Consult factory for details.



## Performance Overview

4' Huntington 1 Direct - 3500K 90CRI MEODF				
Lumen Output	LL (Low)	ML (Medium)	HL (High)	SLO* (Specified)
Delivered Lumens	772	1908	3760	772-5920
Consumed Wattage	15	36	76	14.6-131.1
Efficacy (lm/W)	105	105	99	90-105
SDCM	3	3	3	3

\*Specified Lumen Output (SLO) available in customizable lumen configurations (772 lm - 5920 lm). See SLO Configurator [HERE](#).



**EXTANT ARCHITECTURAL LIGHTING™**

15161 Triton Lane, Huntington Beach, CA 92649 | ☎ 714-362-8099 | [ExtantLighting.com](http://ExtantLighting.com)

\*Due to our culture of always striving for product enhancement, specifications and information within this document are subject to change without notice. 2020 Extant Lighting, Inc. All rights reserved.

**ORDERING INFORMATION**

**Project:** \_\_\_\_\_

**Date:** \_\_\_\_\_ **Type:** \_\_\_\_\_

Product Family	Driver Location	Length	Direct Lumen Output	Direct Optics	Indirect Lumen Output
<b>HTGDU-1P</b>					
<b>HTGDU-1P</b> Direct and Indirect 1.5" Aperture (Suspended)	<b>TD</b> Integral Driver <b>RD</b> Remote Driver	___* Specify length <b>R_X_</b> Rectangle <b>L_X_L</b> Pattern <b>U_X_X_U</b> Pattern <b>PC</b> Custom Pattern	<b>DLL</b> Low (193 l/ft @ 1.84 W)* <b>DML</b> Medium (477 l/ft @ 4.55 W)* <b>DHL</b> High (940 l/ft @ 9.46 W)* <b>SLO-XX</b> Specified Lumen Output available.**	<b>MEO</b> <b>MEODF</b> Diffusing <b>MEOBW</b> Batwing <b>MEOGC</b> Glare Control <b>MEORF</b> Room Fill <b>MEOWW</b> Wall Wash	<b>ULL</b> Low (193 l/ft @ 1.84 W)* <b>UML</b> Medium (477 l/ft @ 4.55 W)* <b>UHL</b> High (940 l/ft @ 9.46 W)* <b>SLO-XX</b> Specified Lumen Output available.**
Decorative and In-Canopy remote drivers available. Contact factory for spec codes & details.		*Minimum Integral Driver length is 2'. Minimum Remote or In-Canopy Driver can be shorter, consult factory. *Custom length fixtures can be ordered in 3" increments. *Any length over 8' requires multiple fixture segments. See Continuous Row Drawing on product webpage.	*Delivered lumen output & consumed wattage based on "MEODF 35" (90 CRI - 3500K). See SLO Configurator for alternate outputs. **See SLO Configurator at ExtantLighting.com for appropriate "XX" output.		*Delivered lumen output & consumed wattage based on "MEODF 35" (90 CRI - 3500K). See SLO Configurator for alternate outputs. **See SLO Configurator at ExtantLighting.com for appropriate "XX" output.

Indirect Optics	Color Temp	Voltage	Driver	Finish
<b>MEO</b> <b>MEODF</b> Diffusing <b>MEOBW</b> Batwing <b>MEOGC</b> Glare Control <b>MEOCW</b> Ceiling Wash* <b>PRO**</b> <b>PROAY</b> Asymmetric <b>PROWD</b> Wide <b>PROBW</b> Batwing <b>PRODF</b> Diffusing	<b>27</b> 2700K <b>30</b> 3000K <b>35</b> 3500K <b>40</b> 4000K <b>50</b> 5000K <b>TW</b> 2700K-6500K (85+ CRI) <b>XX</b> Optional Color Temp & CRI Available	<b>VU</b> 120V-277V <b>V3</b> 347V	<b>D</b> 1% 0-10V* <b>DN</b> NON DIM <b>DELV</b> 1% Electronic Low Voltage Dimming (Reverse Phase dimming - 120V only) <b>DTRIAC</b> 1% Electronic Low Voltage Dimming (Forward Phase dimming - 120V only) <b>DL1</b> Lutron Hi-Lume 1% EcoSystem <b>DE</b> 1% 0-10V <b>DD1</b> 1% DALI <b>DDE</b> 1% DALI <b>DMX</b> 1% DMX/RDM <b>DTW</b> 1% 0-10V Tunable White <b>DT8</b> 1% DALI Tunable White <b>POE</b> Power Over Ethernet (Consult Factory) <b>XX</b> Other (Please Specify)	<b>SA</b> Powder Coated Silver Anodized* <b>WP</b> Powder Coated Matte White* <b>BP</b> Powder Coated Matte Black* <b>CC</b> Powder Coated Custom** <b>SAMF</b> SA Housing/Machine Finish End Caps <b>WPMF</b> WP Housing/Machine Finish End Caps <b>BPMF</b> BP Housing/Machine Finish End Caps <b>CCMF</b> CC Housing/Machine Finish End Caps
*MEOCW not compatible with MEORF option; use PROAY for indirect asymmetric optic when MEORF is selected as the direct optic. MEOCW not compatible with remote driver option. **PRO optics are the most cost effective indirect solution, PRO Optics are not a diffused light source. LED pixelation will be seen with this optic choice.	90+ CRI is standard unless otherwise noted.		*Dim to Off available. Please Specify "-OFF" next to driver option if required.	*The housing finish & end cap finish will match. ** Custom Color (CC) to be provided in satin finish & color to be specified by a RAL number. The housing finish & end cap finish will match.

Options	Mounting	Cable Length	Power Cord	Canopy Mounting
<b>EMC_</b> Emergency Circuit(s)* <b>EMB_</b> Emergency Battery Pack(s)* <b>SOC</b> Occupancy Sensor* <b>SDL</b> Daylight Sensor* <b>MTC</b> Multiple Circuit(s) (Daylight, Occupancy, Zone Specific)* <b>BCS</b> Brilliant Communications Solutions (wired/wireless)* <b>2C</b> 2 Circuit (Direct Light & Indirect Light Controlled Independently) <b>JAB</b> JAB Compliant	<b>AC</b> Aircraft Cable <b>AR</b> Rotational (1" Rotational Hub)*	<b>24</b> 24" <b>48</b> 48" <b>72</b> 72" <b>96</b> 96" <b>144</b> 144" ___ Custom Length (Please Specify)	<b>SL</b> Silver <b>WH</b> White <b>BK</b> Black	<b>REMOTE DRIVER OPTIONS</b> <b>C5</b> 5" Canopies - JBox (Standard) <b>NC</b> No Canopies at all Cables <b>C2</b> 2" Canopies at all Cables - Structure Mounting <b>9T5</b> 9/16 Grid Mounted 5" Canopies at all cables* <b>1T5</b> 15/16 Grid Mounted 5" Canopies at all cables* <b>ABT5</b> Armstrong Interlude or Bolt Slot Grid Mounted 5" Canopies at all cables*
*EMC: Specify quantity of emergency circuits. *EMB: Specify quantity of battery packs. Minimum 4' unit. *SOC & SDL: Specify spacing/location of sensor(s). *MTC: Circuit location(s) to be identified through factory supplied drawings *BCS: Includes wired & wireless integration from our partners at nLight™, enlightened, Legrand, Crestron, Osram, Lutron & many more.	*Finish of Rotational Hub will match end cap finish.	*All cables are field adjustable to a maximum of the specified length.		<b>INTEGRAL DRIVER OPTIONS</b> <b>C5</b> 5" Canopies - JBox (Standard) <b>NC5</b> No Canopies at all Cables Except 5" at Power Feed <b>C25</b> 5" Canopies at Power Feed(s) - 2" Canopies at Cables <b>9T5</b> 9/16 Grid Mounted - 5" Canopies at all cables* <b>1T5</b> 15/16 Grid Mounted - 5" Canopies at all cables* <b>ABT5</b> Armstrong Interlude/Bolt Slot Grid Mounted - 5" Canopies at all cables* <b>9T25</b> 9/16 Grid Mounted - 5" Canopies at Power Feed(s) - 2" Canopies at Cables* <b>1T25</b> 5/16 Grid Mounted - 5" Canopies at Power Feed(s) - 2" Canopies at Cables* <b>ABT25</b> Armstrong Interlude or Bolt Slot Grid Mounted 5" Canopies at Power Feed(s) - 2" Canopies at Cables* <b>NC</b> No Canopies at all Cables
				*Fixture mounting to be installed in line with Main Beams or Cross Tee's. Not designed to be mounted on grid segments running perpendicular to fixture run.

Canopy Shape/Finish
<b>SQS</b> Square Silver <b>SQW</b> Square Matte White <b>SQB</b> Square Matte Black <b>RNS</b> Round Silver <b>RNW</b> Round Matte White <b>RNB</b> Round Matte Black



**Specifications**

**CONSTRUCTION** One-piece heavy gauge 6063 extruded aluminum housing. Precision-machined aluminum end caps.

**OPTICS** Microstructure EdgeTech Optics (MEO)™ utilizes high efficiency Microstructure Lenses and Light Guide Plates for high optical extraction and precise light management. Specify Batwing, Glare Control, Diffuse (Lambertian), Room Fill, Ceiling Wash or Wall Wash Optics. Precision Refractive Optics (PRO) also available in Diffused, Batwing, Wide and Asymmetric.

**LIGHT OUTPUT** (3) Standard individually controlled (Indirect & Direct) lumen packages are available: Low (ULL/DLL), Medium (UML/DML) and High (UHL/DHL). Specified Lumen Output (SLO) packages available. Please see the (SLO) configurator at ExtantLighting.com.

**LEDS** Latest generation of premium Nichia 3-step MacAdam Ellipse LED's available in (90+ CRI) 2700K, 3000K, 3500K, 4000K, and 5000K. LED modules are easily accessible and replaceable.

**VOLTAGE** Universal 120-277V (VU) and 347V (V3) available. Consult factory for driver options when 347V is specified.

**EMERGENCY BATTERY** Factory provided low profile 10W emergency battery for UL924 required 90-minute run time.

**FINISH** Standard finishes include powder coated silver anodized, powder coated matte white or powder coated matte black. Custom powder coated finishes available (RAL number matched). Power cord and canopy finish options are white, black or silver.

**CONTINUOUS ROWS** Innovative Toolless Latch system ensures simple installation. Seamless continuous rows with no lens breaks, pixelation or hotspots up to 250 feet.

**PATTERNS** Standard Rectangle Pattern (R), U Pattern (U), and L Pattern (L) available. Custom patterns available.

**MOUNTING** Remote Driver Fixtures: Adjustable 3/64" Aircraft Cable or 361° locking 3/64" Aircraft Cable Rotational with precision-machined 1" rotational hub. Integral Driver Fixtures: Adjustable 1/16" Aircraft Cable and 1/16" Aircraft Cable Rotational with precision-machined 1" rotational hub.

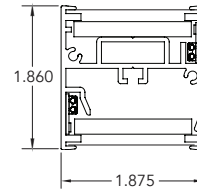
**APPROVALS** UL and cUL Listed. Approved for Dry/Damp locations. Made in the USA. BABA compliant in most configurations. JA8 Approved.

**LUMEN MAINTENANCE** (L70) 70% of initial light output = Reported > 60,000 hours | Calculated > 200,000 hours (L90) 90% of initial light output = Reported > 60,000 hours | Calculated > 200,000 hours.

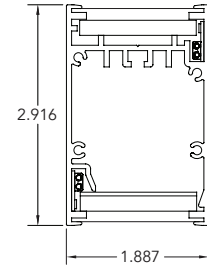
**WARRANTY** All Extant fixtures offered with a 5-year limited warranty which covers LED, driver and fixture. For further details, refer to General Warranty and Obligations at ExtantLighting.com.

**PATENTS** Extant Lighting's intellectual property is protected under Patent No. US 11,378,262 B2 and 12,007,101 B2 by the U.S. Patent Office.

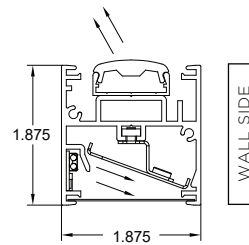
**Dimensions**



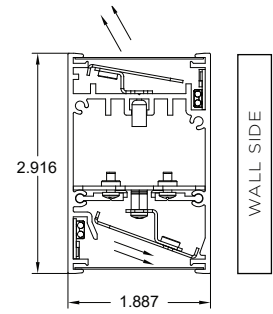
**HTGDU-1P REMOTE**



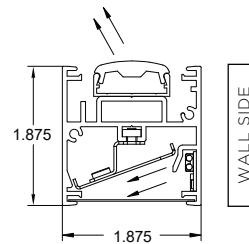
**HTGDU-1P INTEGRAL**



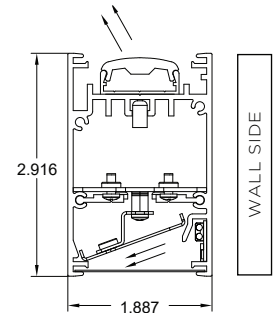
**HTGDU-1P REMOTE MEOWW(DIR)/PROAY(IND)**



**HTGDU-1P INTEGRAL MEOWW(DIR)/MEOCW(IND)**



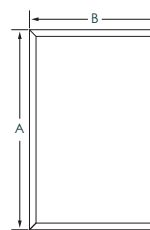
**HTGDU-1P REMOTE MEORF(DIR)/PROAY(IND)**



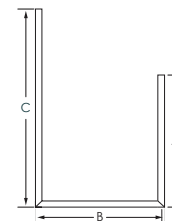
**HTGDU-1P INTEGRAL MEORF(DIR)/PROAY(IND)**

**Patterns**

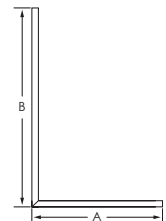
*Note: All miters/patterns shown and ordered in plan view.*



**R\_X\_X**  
Rectangle  
Provide Ax B  
Example: R6'x4'



**U\_X\_X\_X**  
U-Shape  
Provide Ax BxC  
Example: U4'x4'x6'



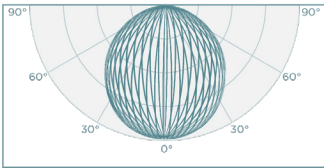
**L\_X\_X**  
L-Shape  
Provide Ax B  
Example: L4'x6'



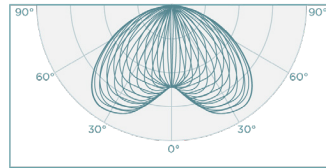
### Microstructure EdgeTech Optics (MEO)™

Our innovative MEO™ design utilizes high efficiency Microstructure Lenses and Light Guide Plates for high optical extraction and precise light management. MEO™ delivers exceptional light quality with seamless illumination and uniformity with no pixelation, hot spots or lens breaks up to 250' continuous rows.

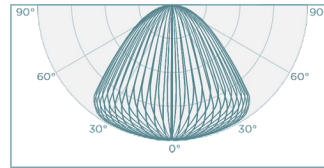
#### DIRECT



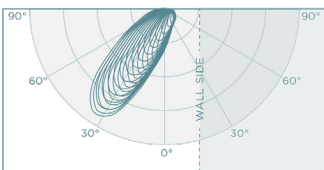
**MEO DF**  
LAMBERTIAN



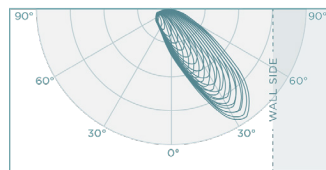
**MEO BW**  
BATWING



**MEO GC**  
GLARE CONTROL

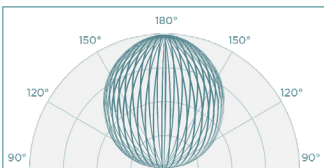


**MEO RF**  
ROOM FILL

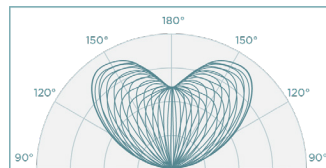


**MEO WW**  
WALL WASH

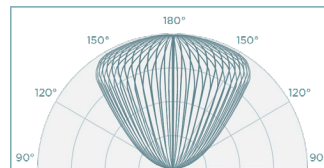
#### INDIRECT



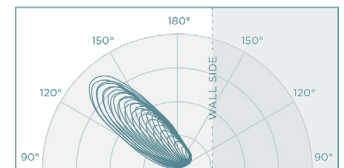
**MEO DF**  
LAMBERTIAN



**MEO BW**  
BATWING



**MEO GC**  
GLARE CONTROL



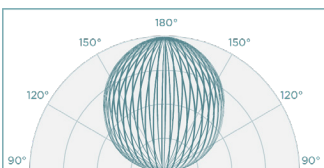
**MEO CW**  
CEILING WASH

### Precision Refractive Optics (PRO)

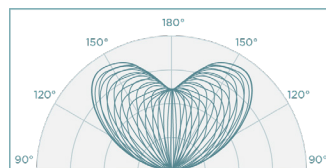
Precision Refractive Optics (PRO) are designed to produce precise optic control for diverse design applications. PRO utilizes the latest in extruded lens technology that mount directly to the LED board channel to give optimum control.

Please Note: The PRO optics are not a diffused light source. LED pixelation will be seen with this optic choice. If you want a completely diffused light source with no pixelation or hot spots, see our Microstructure EdgeTech Optics (MEO)™ options. PRO optics are the more cost effective indirect solution.

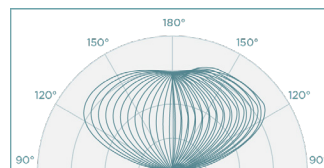
#### INDIRECT



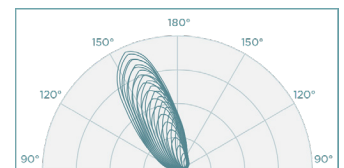
**PRO DF**  
LAMBERTIAN



**PRO BW**  
BATWING



**PRO WD**  
WIDE



**PRO ASY**  
ASYMMETRIC

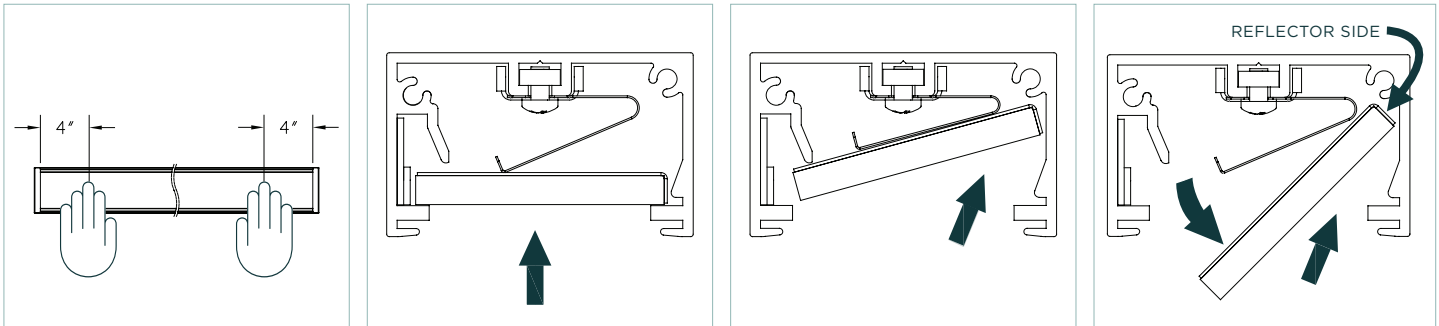


**Installation**

Thoughtful engineering is at the core of all of our fixture designs. All of our products are thoughtfully engineered and include innovative features that create a sophisticated fixture that is also contractor friendly and easy to install and service.

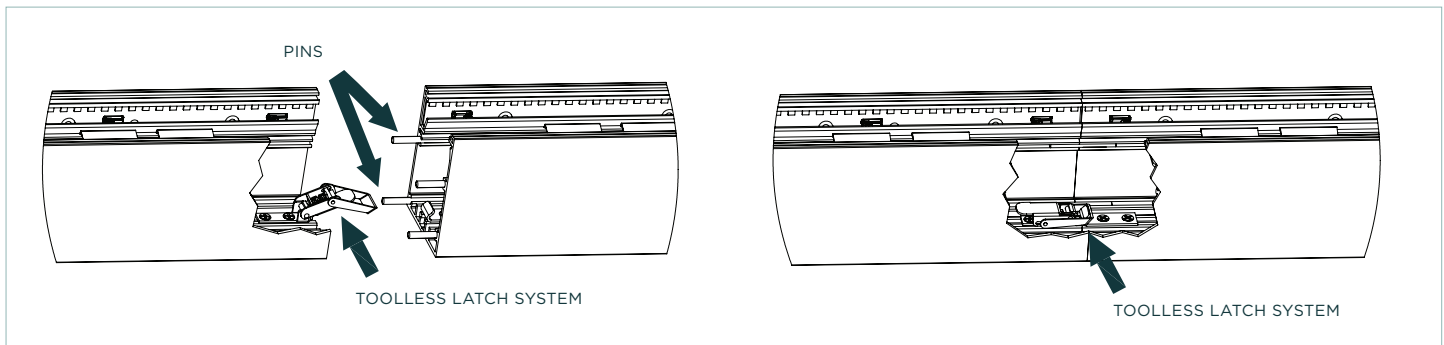
**PUSH TO EJECT SYSTEM**

Innovative “Push to Eject” system allows for toolless removal and installation of the Light Guide Plate. This thoughtful engineering creates easy access into the housing for simple installation and serviceability.



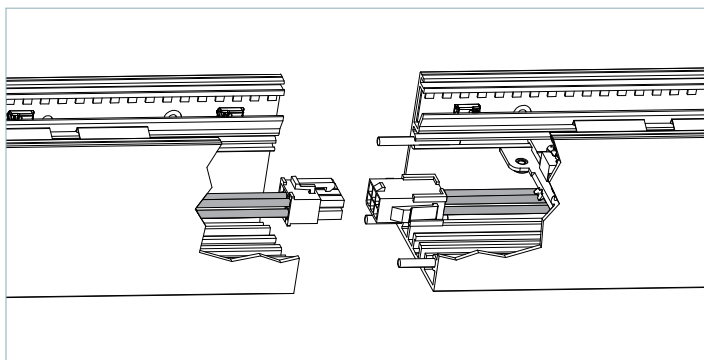
**TOOLLESS LATCH SYSTEM**

Our Toolless Latch system is designed to securely connect the extrusions of the continuous runs without the use of any tools, screws or external parts. Our innovative design allows the contractor to perfectly align the extrusion with the built-in alignment pins and cinch up the extrusion with the Toolless Latch system for a tight fit. The Toolless Latch system eliminates gaps and ensures perfect alignment.



**QUICK-CLICK THRU-WIRE SYSTEM**

Our Quick-Click Thru-Wire system connects the continuous run through wiring with a simple push and click connection. The Quick-Click system is contractor friendly and decreases installation time and cost and ensures proper wiring.



**MEO OPTIC**

MEO design utilizes high efficiency extraction and precise light management. MEO lens must be installed to ensure proper performance.

