



Huntington 1 Series

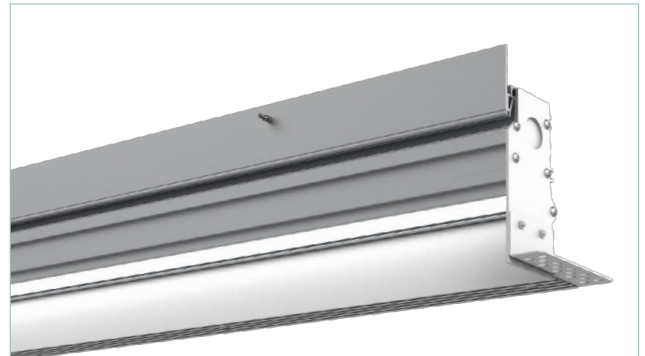
# HTG-1PR

## REGRESS PERIMETER

Brilliant by Design™, the Huntington 1 Regress Perimeter fixture delivers contemporary architectural illumination through its ultra-minimal 1.5" aperture, creating clean, precise lines of light that define modern wall-ceiling junctions in high-end commercial interiors, offices, hospitality spaces, and feature walls. Engineered for seamless integration, the single regressed lens position provides subtle, controlled downlight with low-glare performance and uniform illumination, perfect for accentuating architectural details without visual distraction. Ideal for sophisticated perimeter applications where architectural purity and modern restraint define the design vocabulary.

## FEATURES

- Available in Trimless, Trim Flange, and T-Grid mounting options.
- Specified Lumen Outputs (SLO) available up to 940 lm/ft.
- Minimalistic 1.5" aperture fixture.
- Individual fixture lengths and seamless continuous runs.
- Drivers, wiring and serviceability completely accessible from below ceiling with our patented toolless "Push to Eject" system.
- Toolless Latch System and Quick-Click 5 Wire system allows for simple, quick, and seamless installation.
- 90+ CRI as a standard with Tunable White available.
- Proudly crafted in Huntington Beach, CA - USA.
- BABA compliant in most configurations. Consult factory for details.



## Performance Overview

4' Huntington 1 Regressed Perimeter- 3500K 90CRI RG1				
Lumen Output	LL (Low)	ML (Medium)	HL (High)	SLO* (Specified)
Delivered Lumens	772	1908	3760	772-5920
Consumed Wattage	7	18	38	7.36-65.6
Efficacy (lm/w)	105	105	99	90-105
SDCM	3	3	3	3

\*Specified Lumen Output (SLO) available in customizable lumen configurations (772 lm - 5920 lm). See SLO Configurator [HERE](#).



**ORDERING INFORMATION**

Project: \_\_\_\_\_

Date: \_\_\_\_\_ Type: \_\_\_\_\_

Product Family	Lens Position	Housing Type	Trim*	Length	Lumen Output
<b>HTG-1PR-TD</b> Huntington Series 1.5" Aperture Perimeter Integral Driver	<b>RG1</b> 1.75" Regress	<b>FHT</b> Fixed Housing* <b>FHT-NVE</b> Fixed Housing With No Visible Endcaps** <b>FCW</b> Field Cutable***	<b>TRIM FLANGE</b> <b>TFSA</b> Trim Flange - Powder Coated Silver <b>TFWP</b> Trim Flange - Powder Coated Matte White <b>TFBP</b> Trim Flange - Powder Coated Matte Black <b>TFCC</b> Trim Flange - Custom Color <b>TRIMLESS</b> <b>SF</b> Spackle Flange (Mud-in) <b>T-GRID</b> <b>L1</b> 15/16" Grid Lay-in System** <b>L9</b> 9/16" Grid Lay-in System** <b>T1</b> 15/16" Grid Tegular System** <b>T9</b> 9/16" Grid Tegular System** <b>SB</b> Bolt Slot Grid System** <b>AI</b> Armstrong Interlude/USG Identitee**	____ Specify Length* <b>PC</b> Custom Pattern - Submit Drawings (Inside/Outside corners)	<b>DLL</b> Low (127 lm/ft @ 1.75 lm/w)* <b>DML</b> Medium (314 lm/ft @ 4.5 lm/w)* <b>DHL</b> High (619 lm/ft @ 9.5 lm/w)* <b>SLO-XX</b> Specified Lumen Output available.**
Flush Lens options available in HTG-1PR-LP & HTG-3PR-LP Series. For additional details see <a href="http://ExtantLighting.com">ExtantLighting.com</a>		*FHT will have end caps. Specify in 3" increments. **FHT-NVE will have no visible endcaps and end trims. Specify in 3" increments. ***FCW will not have visible end caps at wall. (2) 6" field cutable non-illuminated end pieces provided for wall to wall applications.	*Consult factory for additional mounting configurations. **White finish is standard on all T-Grid (Suspended Ceiling) trim options (L1, L9, T1, T9, SB and AI). Consult factory for additional finish options.	*FHT & FHT-NVE: Fixed Housing Type must be specified in 3" increments. (Not recommended for wall to wall applications). *FCW: Field Cutable option must be specified in exact length from wall to wall (i.e. 42"). Factory will maximize lit section and provide (2) 6" non-illuminated field cutable end pieces to provide proper wall to wall dimensions.	*Delivered lumen output & consumed wattage based on 90 CRI RG3-MEODF35. See SLO Configurator for alternate outputs. **See SLO Configurator at <a href="http://ExtantLighting.com">ExtantLighting.com</a> for appropriate "xx" output.

Color Temp	Voltage	Driver	Options
<b>27</b> 2700K <b>30</b> 3000K <b>35</b> 3500K <b>40</b> 4000K <b>50</b> 5000K <b>TW</b> 2700K-6500K (85+ CRI) <b>XX</b> Optional Color Temp & CRI Available	<b>VU</b> 120V-277V <b>V3</b> 347V*	<b>D</b> 1% 0-10V* <b>DN</b> Non Dim <b>DELV</b> 1% Electronic Low Voltage Dimming (Reverse Phase dimming-120V only) <b>DTRIAC</b> 1% Electronic Low Voltage Dimming (Forward Phase dimming-120V only) <b>DL1</b> Lutron Hi-Lume 1% EcoSystem <b>DE</b> .1% 0-10V <b>DD1</b> 1% DALI <b>DDE</b> 1% DALI <b>DMX</b> 1% DMX/RDM <b>DTW</b> 1% 0-10V Tunable White <b>DT8</b> 1% DALI Tunable White <b>XX</b> Other (Please Specify)	<b>EMC_</b> Emergency Circuit(s)* <b>EMB_</b> Emergency Battery Pack(s)* <b>BCS</b> Brilliant Communications Solutions (wired/wireless)*
90+ CRI is standard unless otherwise noted.	*Only available with D and DN Drivers.	*Dim to Off available. Please Specify "-OFF" next to driver option if required.	*EMC: Specify quantity of emergency circuits per run. *EMB: Specify quantity of battery packs per run. Minimum 4' unit. *BCS: Includes wired & wireless integration from our partners at nLight™, enlightened, Legrand, Crestron, Osram, Lutron & many more.



**Specifications**

**CONSTRUCTION** Heavy gauge 6063 extruded aluminum housing.

**LIGHT OUTPUT** (3) Standard lumen packages are available: Low (DLL), Medium (DML) and High (DHL). Specified Lumen Output (SLO) packages available. Please see the (SLO) configurator at [ExtantLighting.com](http://ExtantLighting.com).

**LEDS** Latest generation of premium Nichia 3-step MacAdam Ellipse LED's available in (90+ CRI) 2700K, 3000K, 3500K, 4000K, and 5000K. Tunable White available. LED modules are easily accessible and replaceable.

**VOLTAGE** Universal 120/277V (VU) and 347V (V3) available. Consult factory for driver options when 347V is specified.

**EMERGENCY BATTERY** Factory provided low profile 6.5W emergency battery for UL924 required 90-minute run time.

**FINISH** Standard finishes include powder coated silver, matte white or matte black. White powder coat finish standard on all T-Grid Lay-in, 15/16" or 9/16" Grid Tegular, Bolt Slot or Armstrong Interlude/USG Identitee.

**CONTINUOUS ROWS** Innovative Toolless Latch System ensures simple installation.

**PATTERNS** Custom shapes and inside/outside mitered corners available.

**MOUNTING** Perimeter Spackle Flange, Trim Flange, 15/16" or 9/16" Grid Lay-in, 15/16" or 9/16" Grid Tegular, Bolt Slot or Armstrong Interlude/USG Identitee.

**APPROVALS** UL and cUL Listed. Approved for Dry/Damp locations. IC Rated. Made in the USA. BABA compliant in most configurations. JA8 Approved.

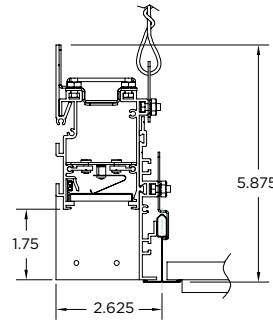
**LUMEN MAINTENANCE** (L70) 70% of initial light output = Reported > 60,000 hours | Calculated > 200,000 hours (L90) 90% of initial light output = Reported > 60,000 hours | Calculated > 200,000 hours.

**LENS POSITION** 1.75" Regress Lens available. Flush Lens available in HTG-1PR-LP and HTG-3PR-LP Series.

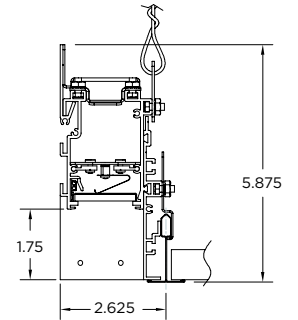
**WARRANTY** All Extant fixtures offered with a 5-year limited warranty which covers LED, driver and fixture. For further details, refer to General Warranty and Obligations at [ExtantLighting.com](http://ExtantLighting.com).

**PATENTS** Extant Lighting's intellectual property is protected under Patent No. US 11,378,262 B2 and 12,007,101 B2 by the U.S. Patent Office.

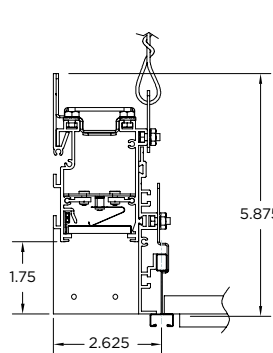
**Dimensions**



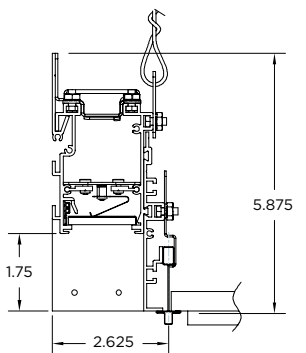
HTG-1PR-TD-RG1-T1



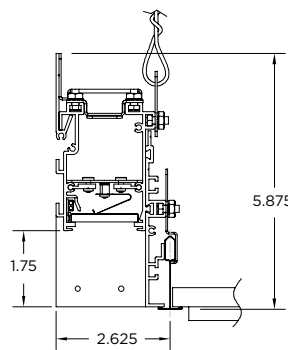
HTG-1PR-TD-RG1-L1



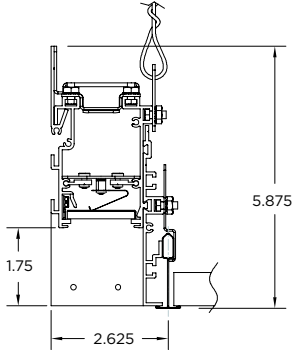
HTG-1PR-TD-RG1-SB



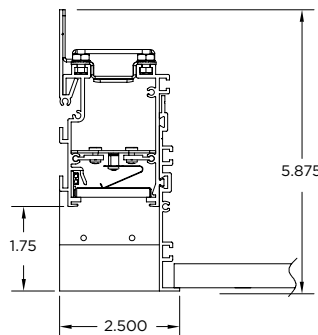
HTG-1PR-TD-RG1-AL



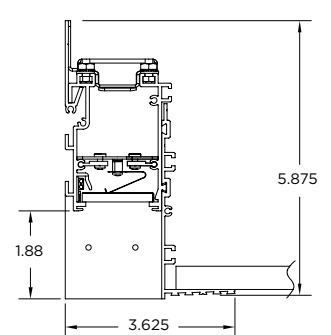
HTG-1PR-TD-RG1-T9



HTG-1PR-TD-RG1-L9



HTG-1PR-TD-RG1-TF



HTG-1PR-TD-RG1-SF

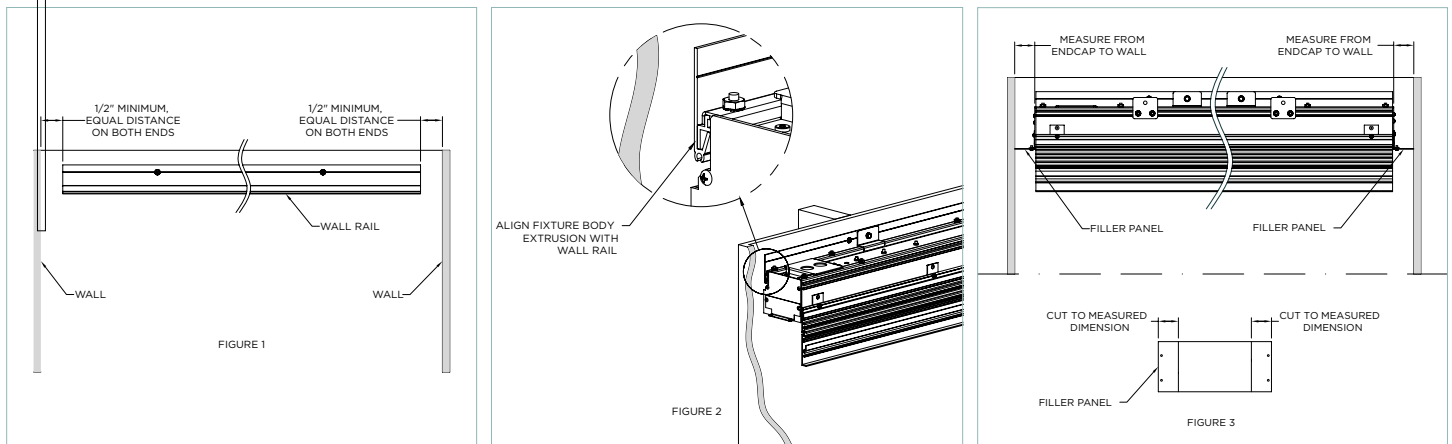


## Installation

Thoughtful engineering is at the core of all of our fixture designs. All of our products are thoughtfully engineered and include innovative features that create a sophisticated fixture that is also contractor friendly and easy to install and service.

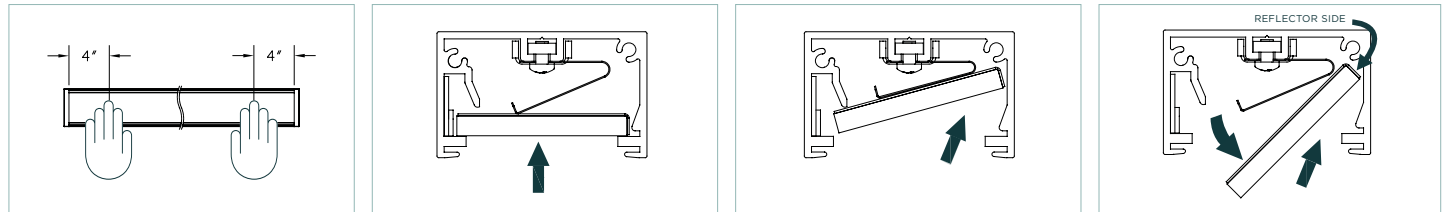
### FIELD CUTTABLE HOUSING TYPE DETAIL

*Note: See complete installation instructions at [ExtantLighting.com](http://ExtantLighting.com) for more details.*



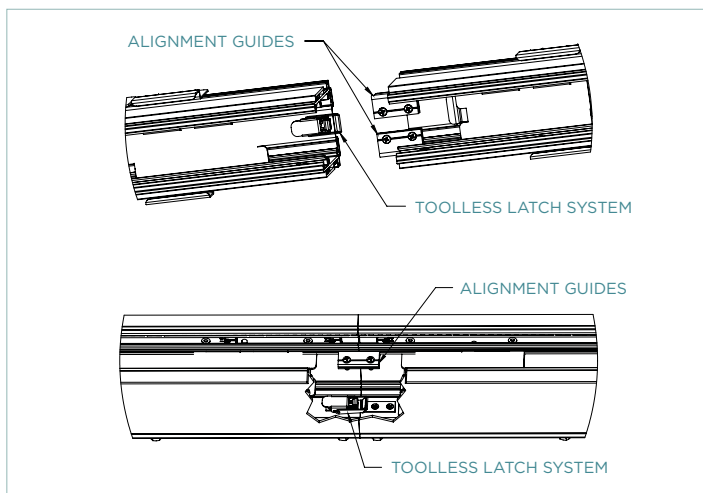
### PUSH TO EJECT SYSTEM

Innovative “Push to Eject” system allows for toolless removal and installation of the Light Guide Plate. This thoughtful engineering creates easy access into the housing for simple installation and serviceability.



### TOOLLESS LATCH SYSTEM

Our Toolless Latch system is designed to securely connect the extrusions of the continuous runs without the use of any tools, screws or external parts. Our innovative design allows the contractor to perfectly align the extrusion with the built-in alignment guides and cinch up the extrusion with the Toolless Latch system for a tight fit.



### QUICK-CLICK THRU-WIRE SYSTEM

Our integral driver Quick-Click Thru-Wire system connects the continuous run through wiring with a simple push and click connection. The Quick-Click system is contractor friendly and decreases installation time and cost and ensures proper wiring.

