



Avalon Wet Location Series

# AVL-2P

SUSPENDED PENDANT

Brilliant by Design™ — The AVL-2P Wet Location luminaire redefines exterior linear lighting.

Engineered for elegance and endurance, AVL-2P delivers a seamless luminous surface in continuous runs up to 48 feet—a rare achievement in outdoor architectural lighting. Its minimalistic profile and advanced optical design ensure uncompromised aesthetics while standing up to the most demanding outdoor environments.



## FEATURES

- Rated IP65 for reliable performance in wet and challenging environments. Wet location listed to UL Standard.
- Anti-yellowing properties ensure long-term optical performance outdoors.
- Dual-extrusion lens combining UV-stabilized acrylic and elastic rubber for superior sealing and clarity. Rollable lens allows for unbroken light and continuous runs in lengths up to 48 ft.
- Meets AAMA 2604 performance standards for architectural powder coatings, ensuring long-term color retention, gloss stability, and resistance to chalking in exterior environments.
- Durability tested for corrosion, humidity, and impact, providing reliable protection and aesthetics for demanding outdoor applications.
- Impact resistance rated IK09 for rugged environments.
- Minimalistic 2.6" aperture
- Dimensions: 3.5" H x 2.8" W
- Individual fixture lengths and continuous runs available
- Integral Driver and Remote Driver options.
- Standard Black, White, Dark Bronze and Silver Anodized powder coat finish with custom powder coat finishes available.
- Proudly crafted in Huntington Beach, CA - USA
- One-piece heavy gauge 6063 extruded aluminum housing.
- Specify Batwing, Diffused, or Asymmetric optics.
- (SLO) packages available. Please see the (SLO) configurator at Extantlighting.com.
- Voltage Universal 120/277V (VU) and 347V (V3) available. Consult factory for driver options when 347V is specified.
- Lumen Maintenance (L70) 70% of initial light output = Reported > 60,000 hours | Calculated > 200,000 hours (L90) 90% of initial light output = Reported > 60,000 hours | Calculated > 200,000 hours.
- 5-year limited warranty. 5-year limited warranty covers LED, driver and fixture.



**EXTANT ARCHITECTURAL LIGHTING™**

15161 Triton Lane, Huntington Beach, CA 92649 | ☎ 714-362-8099 | ExtantLighting.com

\* Due to our culture of always striving for product enhancement, specifications and information within this document are subject to change without notice. 2020 Extant Lighting, Inc. All rights reserved.

**ORDERING INFORMATION**

Project: \_\_\_\_\_

Date: \_\_\_\_\_ Type: \_\_\_\_\_

Product Family	Driver Location	Mounting	Length	Lumen Output	Optics
<b>AVL-2P</b> AVL-2P Avalon Wet Location Pendant Mount Luminaire with 2" Aperature	<b>TD</b> Integral Driver <b>RD</b> Remote Driver	<b>TRSC</b> Threaded Rod and Stem Cover	___ Specify Length in 6" Inch Increments*	<b>DLL</b> Low (193 lm/ft and 7w/ft)* <b>DML</b> Medium (482 lm/ft and 18w/ft)* <b>DHL</b> High (964 lm/ft and 36w/ft)* <b>SLO-XX</b> Specified Lumen Output available.**	<b>DF</b> Diffusing <b>BW</b> Batwing <b>AY</b> Asymmetric

\*Delivered lumen output & consumed wattage based on "MEODF 35" (90 CRI - 3500K). See SLO Configurator for alternate outputs.  
\*\*See SLO Configurator at [ExtantLighting.com](http://ExtantLighting.com) for appropriate "XX" output.

Color Temp	Voltage	Driver	Finish	Controls	Options A.
<b>27</b> 2700K <b>30</b> 3000K <b>35</b> 3500K <b>40</b> 4000K <b>50</b> 5000K <b>TW</b> 2700K-6500K (85+ CRI) <b>XX</b> Optional Color Temp & CRI Available	<b>VU</b> 120V-277V <b>V3</b> 347V	<b>D</b> 1% 0-10V* <b>DN</b> Non Dim <b>DELV</b> 1% Electronic Low Voltage Dimming (Reverse Phase dimming - 120V only) <b>DTRIAC</b> 1% Electronic Low Voltage Dimming (Forward Phase dimming - 120V only) <b>DL1</b> Lutron Hi-Lume 1% EcoSystem <b>DE</b> 1% 0-10V <b>DD1</b> 1% DALI <b>DDE</b> 1% DALI <b>DMX</b> 1% DMX/RDM <b>DTW</b> 1% 0-10V Tunable White <b>DT8</b> 1% DALI Tunable White <b>XX</b> Other (Please Specify)	<b>SA</b> Powder Coated Silver Anodized* <b>WP</b> Powder Coated Matte White* <b>BP</b> Powder Coated Matte Black* <b>BZ</b> Powder Coated Dark Bronze <b>CC</b> Powder Coated Custom**	<b>BPC</b> Button Photocell	<b>EMC_*</b> Emergency Circuit(s)

90+ CRI is standard unless otherwise noted.

\*Dim to Off available. Please Specify "-OFF" next to driver option if required.

\*The housing finish & end cap finish will match.  
\*\*Custom Color (CC) to be provided in satin finish & color to be specified by a RAL number. The housing finish & end cap finish will match.

\*EMC: Specify quantity of emergency circuits per run.

Options B.	Rod Length	Cord & Stem Color	Canopy Mounting	Canopy Shape/Finish
<b>MTC*</b> Multiple Circuit(s) (Daylight, Occupancy, Zone Specific)	<b>12"</b> 12" Nominal Stem Length <b>24"</b> 24" Nominal Stem Length <b>36"</b> 36" Nominal Stem Length <b>48"</b> 48" Nominal Stem Length	<b>WH</b> Matte White Powdercoated Stem Cover and White Power Cord <b>BK</b> Matte Black Powdercoated Stem Cover and Black Power Cord <b>SL</b> Silver Powdercoated Stem Cover and Gray Power Cord	<b>SFCS</b> Surface Mount Fixed 5" Diameter Canopy <b>SSCS</b> Surface Mount 30° Swivel 5" Diameter Canopy	<b>RNW</b> Round Matte White <b>RNB</b> Round Matte Black <b>RNS</b> Round Silver

\*MTC: Circuit location(s) to be identified through factory supplied drawings



**Specifications**

**CONSTRUCTION** Heavy gauge 6063 extruded aluminum housing.

**OPTICS** Microstructure EdgeTech Optics™ (MEO™) utilizes high efficiency Microstructure Lenses and Light Guide Plates for high optical extraction and precise light management. Specify Narrow Distribution, Diffused (Lambertian), or Grazer Optics.

**LIGHT OUTPUT** (3) Standard lumen packages are available: Low (DLL), Medium (DML) and High (DHL). Specified Lumen Output (SLO) packages available. Please see the (SLO) configurator at [ExtantLighting.com](http://ExtantLighting.com).

**LEDS** Latest generation of premium Nichia 3-step MacAdam Ellipse LED's available in (90+ CRI) 2700K, 3000K, 3500K, 4000K, and 5000K. Tunable White available. LED modules are easily accessible and replaceable.

**VOLTAGE** Universal 120/277V (VU) and 347V (V3) available. Consult factory for driver options when 347V is specified.

**EMERGENCY BATTERY** Factory provided low profile 6.5W emergency battery for UL924 required 90-minute run time.

**FINISH** Standard finishes include powder coated silver, matte white or matte black. White powder coat finish standard on all T-Grid trim options. Custom powder coated finishes available (RAL number matched).

**CONTINUOUS ROWS** Innovative Toolless Latch System ensures simple installation. Seamless continuous rows with no lens breaks, pixelation or hotspots up to 250 feet.

**PATTERNS** Custom shapes and inside/outside mitered corners available.

**MOUNTING** Perimeter Spackle Flange, Trim Flange, 15/16" or 9/16" Grid Lay-in, 15/16" or 9/16" Grid Tegular, Bolt Slot or Armstrong Interlude/USG Identitee.

**APPROVALS** UL and cUL Listed. Approved for Dry/Damp locations. IC Rated. Made in the USA. BABA compliant in most configurations. Chicago Plenum Approved. JA8 Approved.

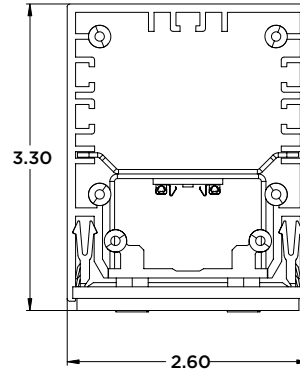
**LUMEN MAINTENANCE** (L70) 70% of initial light output = Reported > 60,000 hours | Calculated > 200,000 hours (L90) 90% of initial light output = Reported > 60,000 hours | Calculated > 200,000 hours.

**LENS**

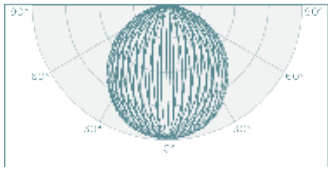
**WARRANTY** All Extant fixtures offered with a 5-year limited warranty which covers LED, driver and fixture. For further details, refer to General Warranty and Obligations at [ExtantLighting.com](http://ExtantLighting.com).

**PATENTS** Extant Lighting's intellectual property is protected under Patent No. US 11,378,262 B2 and 12,007,101 B2 by the U.S. Patent Office.

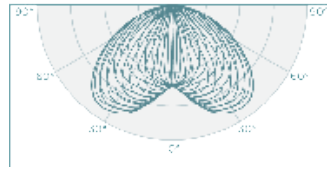
**Dimensions**



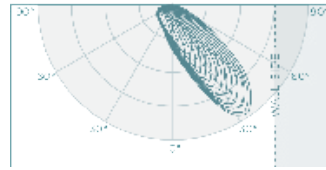
Optics



**DF**  
LAMBERTIAN



**BW**  
BATWING



**AY**  
ASYMMETRIC

