



Avalon Wet Location Series

# AVL-2R

RECESSED

Brilliant by Design™ — The AVL-2R Wet Location luminaire redefines exterior linear lighting.

Engineered for elegance and endurance, AVL-2R delivers a seamless luminous surface in continuous runs up to 48 feet—a rare achievement in outdoor architectural lighting. Its minimalistic profile and advanced optical design ensure uncompromised aesthetics while standing up to the most demanding outdoor environments.



## FEATURES

- Rated for reliable performance in wet and challenging environments.
- Dual-extruded lens combining UV-stabilized acrylic and elastic rubber for superior sealing and clarity.
- Rollable lens allows for unbroken light and continuous runs in lengths up to 48 ft.
- Meets AAMA 2604 performance standards for architectural powder coatings, ensuring long-term color retention, gloss stability, and resistance to chalking in exterior environments.
- Durability tested for corrosion, humidity, and impact, providing reliable protection and aesthetics for demanding outdoor applications.
- Impact resistance rated IK09 for rugged environments.
- Minimalistic 2.6" aperture
- Dimensions: 3.5" H x 2.8" W
- Individual fixture lengths and continuous runs available
- Integral Driver and Remote Driver options.
- Standard Black, White, Dark Bronze and Silver Anodized powder coat finish with custom powder coat finishes available.
- Proudly crafted in Huntington Beach, CA - USA
- One-piece heavy gauge 6063 extruded aluminum housing.
- Specify Batwing, Diffused, Grazing, Wall Wash, or Asymmetric optics.
- (SLO) packages available. Please see the (SLO) configurator at Extantlighting.com.
- Voltage Universal 120/277V (VU) and 347V (V3) available. Consult factory for driver options when 347V is specified.
- Lumen Maintenance (L70) 70% of initial light output = Reported > 60,000 hours | Calculated > 200,000 hours (L90) 90% of initial light output = Reported > 60,000 hours | Calculated > 200,000 hours.
- 5-year limited warranty. 5-year limited warranty covers LED, driver and fixture.



**EXTANT ARCHITECTURAL LIGHTING™**

15161 Triton Lane, Huntington Beach, CA 92649 | ☎ 714-362-8099 | ExtantLighting.com

\* Due to our culture of always striving for product enhancement, specifications and information within this document are subject to change without notice. 2020 Extant Lighting, Inc. All rights reserved.

**ORDERING INFORMATION**

Project: \_\_\_\_\_

Date: \_\_\_\_\_ Type: \_\_\_\_\_

Product Family	Driver Location	Trim	Length	Direct Lumen Output	Optics
<b>AVL-2R</b>					
<b>AVL-2R</b> Avalon Wet Location Recessed Luminaire with 2" Aperature	<b>TD</b> Integral Driver <b>RD</b> Remote Driver	<b>TFSA</b> Trim Flange - Silver Anodized <b>TFWP</b> Trim Flange - Matte White <b>TFBP</b> Trim Flange - Matte Black <b>TFBZ</b> Trim Flange - Dark Bronze	___ Specify Length in 6" Inch Increments* <b>R_X_</b> Rectangle Pattern <b>L_X_</b> L Pattern <b>U_X_X_</b> U Pattern  * 2 FT Minimum	<b>DLL</b> Low (193 lm/ft @ 1.84 lm/w)* <b>DML</b> Medium (477 lm/ft @ 4.55 lm/w)* <b>DHL</b> High (940 lm/ft @ 9.46 lm/w)* <b>SLO-XX</b> Specified Lumen Output available.**	<b>DF</b> Diffusing <b>BW</b> Batwing <b>AY</b> Asymmetric
	*Maximum remote driver distance from fixture is subject to load, wire gauge, and driver type; consult factory for recommended remote mounting distances and wiring details.			*Delivered lumen output & consumed wattage based on "MEODF 35" (90 CRI - 3500K). See SLO Configurator for alternate outputs. **See SLO Configurator at <a href="http://ExtantLighting.com">ExtantLighting.com</a> for appropriate "XX" output.	

Color Temp	Voltage	Driver	Emergency Options	Circuit Options
<b>27</b> 2700K <b>30</b> 3000K <b>35</b> 3500K <b>40</b> 4000K <b>50</b> 5000K <b>TW</b> 2700K-6500K <b>XX</b> Optional Color Temp & CRI Available	<b>VU</b> 120V-277V <b>V3</b> 347V	<b>D</b> 1% 0-10V* <b>DN</b> Non Dim <b>DELV</b> 1% Electronic Low Voltage Dimming (Reverse Phase dimming - 120V only) <b>DTRIAC</b> 1% Electronic Low Voltage Dimming (Forward Phase dimming - 120V only) <b>DL1</b> Lutron Hi-Lume 1% EcoSystem <b>DE</b> 1% 0-10V <b>DD1</b> 1% DALI <b>DDE</b> 1% DALI <b>DMX</b> 1% DMX/RDM <b>DTW</b> 1% 0-10V Tunable White <b>DT8</b> 1% DALI Tunable White <b>XX</b> Other (Please Specify)	<b>EMC_</b> Emergency Circuit(s)*	<b>MTC</b> Multiple Circuit(s) (Daylight, Occupancy, Zone Specific)*
90+ CRI is standard unless otherwise noted.		*Dim to Off available. Please Specify "-OFF" next to driver option if required.	*EMC: Specify quantity of emergency circuits per run.	*MTC: Circuit location(s) to be identified through factory supplied drawings



## Specifications

**CONSTRUCTION** Heavy gauge 6063 extruded aluminum housing.

**OPTICS** Dual extruded seamless rollable lens available with Frosted (Diffuse) or Clear lens with batwing or asymmetric microstructure optical films. Specify, diffuse, batwing, or asymmetric optical distributions.

**LIGHT OUTPUT** (3) Standard lumen packages are available: Low (DLL), Medium (DML) and High (DHL). Specified Lumen Output (SLO) packages available. Please see the (SLO) configurator at [ExtantLighting.com](http://ExtantLighting.com).

**LEDS** Latest generation of premium Nichia 3-step MacAdam Ellipse LED's available in (90+ CRI) 2700K, 3000K, 3500K, 4000K, and 5000K. Tunable White available. LED modules are easily accessible and replaceable.

**VOLTAGE** Universal 120/277V (VU) and 347V (V3) available. Consult factory for driver options when 347V is specified.

**FINISH** High performance all-weather powder coat finish meets AAMA 2604 architectural powder coat performance standards. Long term color stability, chalking resistance, and built for rugged outdoor environments. Available in white, silver anodized, black, and dark bronze finishes.

**CONTINUOUS ROWS** Continuous runs up to 48' in length made possible by our unique dual extrusion lens, incorporating flexible rubber gasketing and optical grade acrylic.

**PATTERNS** Consult with factory for custom patterns.

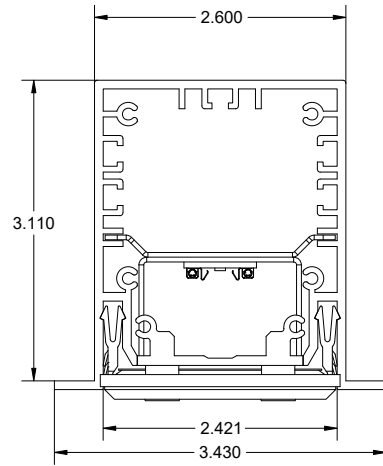
**MOUNTING** Structurally sound threaded rod mounting with powder coated stem cover matching the selected fixture finish. Includes surface mounted canopy with or without 30° swivel.

**APPROVALS** Made in the USA. BABA compliant in most configurations. UL, cUL, and IP listings and ratings in progress.

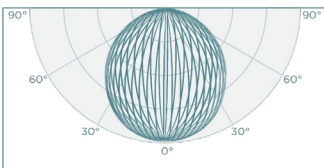
**LUMEN MAINTENANCE** (L70) 70% of initial light output = Reported > 60,000 hours | Calculated > 200,000 hours (L90) 90% of initial light output = Reported > 60,000 hours | Calculated > 200,000 hours.

**WARRANTY** All Extant fixtures offered with a 5-year limited warranty which covers LED, driver and fixture. For further details, refer to General Warranty and Obligations at [ExtantLighting.com](http://ExtantLighting.com).

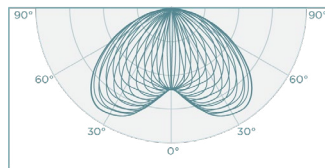
## Dimensions



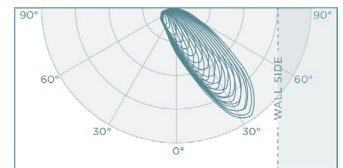
## Optics



**DF**  
LAMBERTIAN



**BW**  
BATWING



**AY**  
ASYMMETRIC

