



Avalon Wet Location Series

AVL-2SM

SURFACE

Brilliant by Design™ — The AVL-2SM Wet Location luminaire redefines exterior linear lighting.

Engineered for elegance and endurance, AVL-2SM delivers a seamless luminous surface in continuous runs up to 48 feet—a rare achievement in outdoor architectural lighting. Its minimalistic profile and advanced optical design ensure uncompromised aesthetics while standing up to the most demanding outdoor environments.



FEATURES

- Rated for reliable performance in wet and challenging environments.
- Dual-extruded lens combining UV-stabilized acrylic and elastic rubber for superior sealing and clarity.
- Rollable lens allows for unbroken light and continuous runs in lengths up to 48 ft.
- Meets AAMA 2604 performance standards for architectural powder coatings, ensuring long-term color retention, gloss stability, and resistance to chalking in exterior environments.
- Durability tested for corrosion, humidity, and impact, providing reliable protection and aesthetics for demanding outdoor applications.
- Impact resistance rated IK09 for rugged environments.
- Minimalistic 2.6" aperture
- Dimensions: 3.5" H x 2.8" W
- Individual fixture lengths and continuous runs available
- Integral Driver and Remote Driver options.
- Standard Black, White, Dark Bronze and Silver Anodized powder coat finish with custom powder coat finishes available.
- Proudly crafted in Huntington Beach, CA - USA
- One-piece heavy gauge 6063 extruded aluminum housing.
- Specify Batwing or Wall Wash.
- (SLO) packages available. Please see the (SLO) configurator at Extantlighting.com.
- Voltage Universal 120/277V (VU) and 347V (V3) available. Consult factory for driver options when 347V is specified.
- Lumen Maintenance (L70) 70% of initial light output = Reported > 60,000 hours | Calculated > 200,000 hours (L90) 90% of initial light output = Reported > 60,000 hours | Calculated > 200,000 hours.
- 5-year limited warranty. 5-year limited warranty covers LED, driver and fixture.



EXTANT ARCHITECTURAL LIGHTING™

15161 Triton Lane, Huntington Beach, CA 92649 | ☎ 714-362-8099 | ExtantLighting.com

* Due to our culture of always striving for product enhancement, specifications and information within this document are subject to change without notice. 2020 Extant Lighting, Inc. All rights reserved.

ORDERING INFORMATION

Project: _____

Date: _____ Type: _____

Product Family	Driver Location	General Distribution	Length	Direct Lumen Output	Optics
AVL-2SM					
AVL-2SM Avalon Wet Location Surface Mount Luminaire with 2" Aperature	TD Integral Driver RD Remote Driver	DT Direct	____ Specify Length in 6" inch increments* * 2" feet Minimum	DLL Low (259 lm/ft @ 1.67 w/ft)* DML Medium (574 lm/ft @ 3.94 w/ft)* DHL High (1111 lm/ft @ 8.3 w/ft)* SLO-XX Specified Lumen Output Available**	DF Diffusing BW Batwing AY Asymmetric
	*Maximum remote driver distance from fixture is subject to load, wire gauge, and driver type; consult factory for recommended remote mounting distances and wiring details.			*Delivered lumen output & consumed wattage based on "MEODF 35" (90 CRI - 3500K). See SLO Configurator for alternate outputs. **See SLO Configurator at ExtantLighting.com for appropriate "XX" output.	

Color Temp	Voltage	Driver	Finish	Controls	Emergency Options
27 2700K 30 3000K 35 3500K 40 4000K 50 5000K TW 2700K-6500K XX Optional Color Temp & CRI Available	VU 120V-277V V3 347V	D 1% 0-10V* DN Non Dim DELV 1% Electronic Low Voltage Dimming (Reverse Phase dimming - 120V only) DTRIAC 1% Electronic Low Voltage Dimming (Forward Phase dimming - 120V only) DL1 Lutron Hi-Lume 1% EcoSystem DE 1% 0-10V DD1 1% DALI DDE 1% DALI DMX 1% DMX/RDM DTW 1% 0-10V Tunable White DT8 1% DALI Tunable White XX Other (Please Specify)	SA Powder Coated Silver Anodized WP Powder Coated Matte White BP Powder Coated Matte Black BZ Powder Coated Dark Bronze CC Custom RAL Powder Coat Color	BPC Button Photocell	EMC_* Emergency Circuit(s)
90+ CRI is standard unless otherwise noted.		*Dim to Off available. Please Specify "-OFF" next to driver option if required.			*EMC: Specify quantity of emergency circuits per run.

Circuiting Options	Mounting	Feed Location
MTC* Multiple Circuit(s) (Daylight, Occupancy, Zone Specific)	SM Surface Mount	BF Back Feed EF End Feed DEF Dual End Feed
*MTC: Circuit location(s) to be identified through factory supplied drawings		



CONSTRUCTION Heavy gauge 6063 extruded aluminum housing.

OPTICS Dual extruded seamless rollable lens available with Frosted (Diffuse) or Clear lens with batwing or asymmetric microstructure optical films. Specify, diffuse, batwing, or asymmetric optical distributions.

LIGHT OUTPUT (3) Standard lumen packages are available: Low (DLL), Medium (DML) and High (DHL). Specified Lumen Output (SLO) packages available. Please see the (SLO) configurator at ExtantLighting.com.

LEDS Latest generation of premium Nichia 3-step MacAdam Ellipse LED's available in (90+ CRI) 2700K, 3000K, 3500K, 4000K, and 5000K. Tunable White available. LED modules are easily accessible and replaceable.

VOLTAGE Universal 120/277V (VU) and 347V (V3) available. Consult factory for driver options when 347V is specified.

FINISH High performance all-weather powder coat finish meets AAMA 2604 architectural powder coat performance standards. Long term color stability, chalking resistance, and built for rugged outdoor environments. Available in white, silver anodized, black, and dark bronze finishes.

CONTINUOUS ROWS Continuous runs up to 48' in length made possible by our unique dual extrusion lens, incorporating flexible rubber gasketing and optical grade acrylic.

PATTERNS Consult with factory for custom patterns.

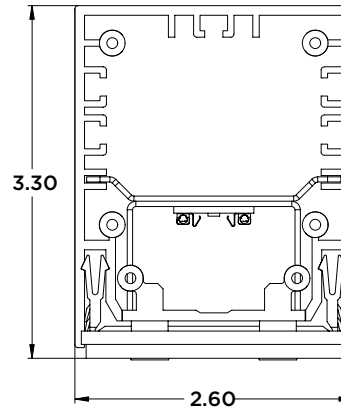
MOUNTING Structurally sound threaded rod mounting with powder coated stem cover matching the selected fixture finish. Includes surface mounted canopy with or without 30° swivel.

APPROVALS Made in the USA. BABA compliant in most configurations. UL, cUL, and IP listings and ratings in progress.

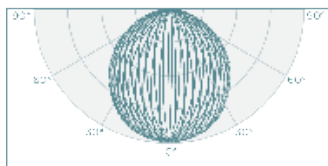
LUMEN MAINTENANCE (L70) 70% of initial light output = Reported > 60,000 hours | Calculated > 200,000 hours (L90) 90% of initial light output = Reported > 60,000 hours | Calculated > 200,000 hours.

WARRANTY All Extant fixtures offered with a 5-year limited warranty which covers LED, driver and fixture. For further details, refer to General Warranty and Obligations at ExtantLighting.com.

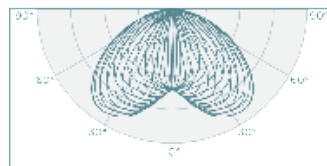
Dimensions



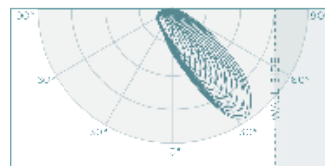
Optics



DF
LAMBERTIAN



BW
BATWING



AY
ASYMMETRIC

