



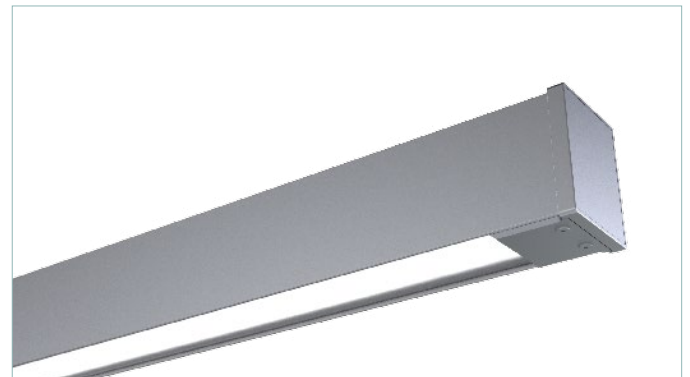
Avalon Wet Location Series

# AVL-2W

WALL MOUNT

Brilliant by Design™ — The AVL-2W Wet Location luminaire redefines exterior linear lighting.

Engineered for elegance and endurance, AVL-2W delivers a seamless luminous surface in continuous runs up to 48 feet—a rare achievement in outdoor architectural lighting. Its minimalistic profile and advanced optical design ensure uncompromised aesthetics while standing up to the most demanding outdoor environments.



## FEATURES

- Rated for reliable performance in wet and challenging environments.
- Dual-extruded lens combining UV-stabilized acrylic and elastic rubber for superior sealing and clarity.
- Rollable lens allows for unbroken light and continuous runs in lengths up to 48 ft.
- Meets AAMA 2604 performance standards for architectural powder coatings, ensuring long-term color retention, gloss stability, and resistance to chalking in exterior environments.
- Durability tested for corrosion, humidity, and impact, providing reliable protection and aesthetics for demanding outdoor applications.
- Impact resistance rated IK09 for rugged environments.
- Minimalistic 2.6" aperture
- Dimensions: 3.5" H x 2.8" W
- Individual fixture lengths and continuous runs available
- Integral Driver and Remote Driver options.
- Standard Black, White, Dark Bronze and Silver Anodized powder coat finish with custom powder coat finishes available.
- Proudly crafted in Huntington Beach, CA - USA
- One-piece heavy gauge 6063 extruded aluminum housing.
- Specify Batwing, Diffused, Grazing, Wall Wash, or Asymmetric optics.
- (SLO) packages available. Please see the (SLO) configurator at Extantlighting.com.
- Voltage Universal 120/277V (VU) and 347V (V3) available. Consult factory for driver options when 347V is specified.
- Lumen Maintenance (L70) 70% of initial light output = Reported > 60,000 hours | Calculated > 200,000 hours (L90) 90% of initial light output = Reported > 60,000 hours | Calculated > 200,000 hours.
- 5-year limited warranty. 5-year limited warranty covers LED, driver and fixture.



**ORDERING INFORMATION**

Project: \_\_\_\_\_

Date: \_\_\_\_\_ Type: \_\_\_\_\_

Product Family	Driver Location	General Distribution	Length	Direct Lumen Output	Optics
<b>AVL-2W</b>					
<b>AVL-2W</b> Avalon Wet Location Wall Mount Luminaire with 2" Aperature	<b>TD</b> Integral Driver <b>RD</b> Remote Driver	<b>DT</b> Direct	____ Specify Length in 6" inch increments*  * 2" feet Minimum	<b>DLL</b> Low (259 lm/ft @ 1.67 w/ft)* <b>DML</b> Medium (574 lm/ft @ 3.94 w/ft)* <b>DHL</b> High (1111 lm/ft @ 8.3 w/ft)* <b>SLO-XX</b> Specified Lumen Output Available**	<b>DF</b> Diffusing <b>BW</b> Batwing <b>AY</b> Asymmetric
	*Maximum remote driver distance from fixture is subject to load, wire gauge, and driver type; consult factory for recommended remote mounting distances and wiring details.			*Delivered lumen output & consumed wattage based on "MEODF 35" (90 CRI - 3500K). See SLO Configurator for alternate outputs. **See SLO Configurator at <a href="http://ExtantLighting.com">ExtantLighting.com</a> for appropriate "XX" output.	

Color Temp	Voltage	Driver	Finish	Controls	Emergency Options
<b>27</b> 2700K <b>30</b> 3000K <b>35</b> 3500K <b>40</b> 4000K <b>50</b> 5000K <b>TW</b> 2700K-6500K <b>XX</b> Optional Color Temp & CRI Available	<b>VU</b> 120V-277V <b>V3</b> 347V	<b>D</b> 1% 0-10V* <b>DN</b> Non Dim <b>DELV</b> 1% Electronic Low Voltage Dimming (Reverse Phase dimming - 120V only) <b>DTRIAC</b> 1% Electronic Low Voltage Dimming (Forward Phase dimming - 120V only) <b>DL1</b> Lutron Hi-Lume 1% EcoSystem <b>DE</b> 1% 0-10V <b>DD1</b> 1% DALI <b>DDE</b> 1% DALI <b>DMX</b> 1% DMX/RDM <b>DTW</b> 1% 0-10V Tunable White <b>DT8</b> 1% DALI Tunable White <b>XX</b> Other (Please Specify)	<b>SA</b> Powder Coated Silver Anodized <b>WP</b> Powder Coated Matte White <b>BP</b> Powder Coated Matte Black <b>BZ</b> Powder Coated Dark Bronze <b>CC</b> Custom RAL Powder Coat Color	<b>BPC</b> Button Photocell	<b>EMC_*</b> Emergency Circuit(s)
90+ CRI is standard unless otherwise noted.		*Dim to Off available. Please Specify "-OFF" next to driver option if required.			*EMC: Specify quantity of emergency circuits per run.

Circuiting Options	Mounting	Feed Location
<b>MTC*</b> Multiple Circuit(s) (Daylight, Occupancy, Zone Specific)	<b>SW</b> Surface Wall Mount	<b>BF</b> Back Feed <b>EF</b> End Feed <b>DEF</b> Dual End Feed
*MTC: Circuit location(s) to be identified through factory supplied drawings		



### Specifications

**CONSTRUCTION** Heavy gauge 6063 extruded aluminum housing.

**OPTICS** Dual extruded seamless rollable lens available with Frosted (Diffuse) or Clear lens with batwing or asymmetric microstructure optical films. Specify, diffuse, batwing, or asymmetric optical distributions.

**LIGHT OUTPUT** (3) Standard lumen packages are available: Low (DLL), Medium (DML) and High (DHL). Specified Lumen Output (SLO) packages available. Please see the (SLO) configurator at [ExtantLighting.com](http://ExtantLighting.com).

**LEDS** Latest generation of premium Nichia 3-step MacAdam Ellipse LED's available in (90+ CRI) 2700K, 3000K, 3500K, 4000K, and 5000K. Tunable White available. LED modules are easily accessible and replaceable.

**VOLTAGE** Universal 120/277V (VU) and 347V (V3) available. Consult factory for driver options when 347V is specified.

**FINISH** High performance all-weather powder coat finish meets AAMA 2604 architectural powder coat performance standards. Long term color stability, chalking resistance, and built for rugged outdoor environments. Available in white, silver anodized, black, and dark bronze finishes.

**CONTINUOUS ROWS** Continuous runs up to 48' in length made possible by our unique dual extrusion lens, incorporating flexible rubber gasketing and optical grade acrylic.

**PATTERNS** Consult with factory for custom patterns.

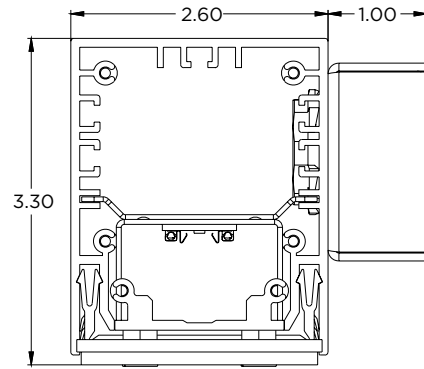
**MOUNTING** Structurally sound threaded rod mounting with powder coated stem cover matching the selected fixture finish. Includes surface mounted canopy with or without 30° swivel.

**APPROVALS** Made in the USA. BABA compliant in most configurations. UL, cUL, and IP listings and ratings in progress.

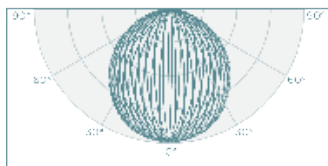
**LUMEN MAINTENANCE** (L70) 70% of initial light output = Reported > 60,000 hours | Calculated > 200,000 hours (L90) 90% of initial light output = Reported > 60,000 hours | Calculated > 200,000 hours.

**WARRANTY** All Extant fixtures offered with a 5-year limited warranty which covers LED, driver and fixture. For further details, refer to General Warranty and Obligations at [ExtantLighting.com](http://ExtantLighting.com).

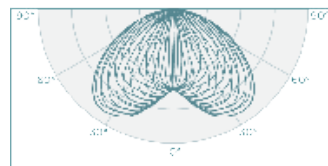
### Dimensions



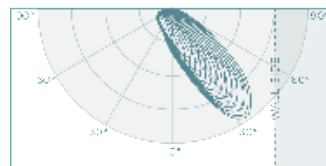
### Optics



**DF**  
LAMBERTIAN



**BW**  
BATWING



**AY**  
ASYMMETRIC

