

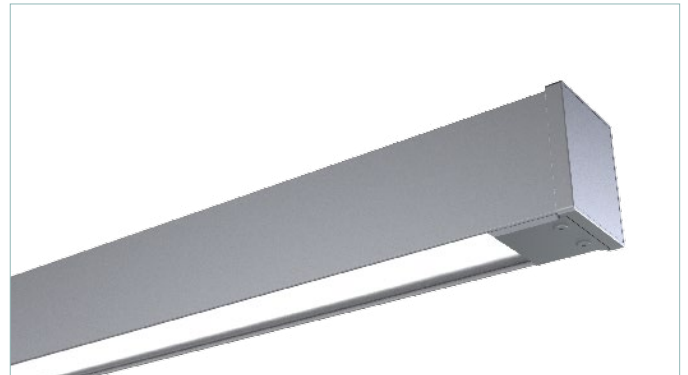
Avalon Wet Location Series

AVL-2W

WALL MOUNT

Brilliant by Design™ — The AVL-2W Wet Location luminaire redefines exterior linear lighting.

Engineered for elegance and endurance, AVL-2W delivers a seamless luminous surface in continuous runs up to 48 feet—a rare achievement in outdoor architectural lighting. Its minimalistic profile and advanced optical design ensure uncompromised aesthetics while standing up to the most demanding outdoor environments.



FEATURES

- Rated IP65 for reliable performance in wet and challenging environments. Wet location listed to UL Standard.
- Anti-yellowing properties ensure long-term optical performance outdoors.
- Dual-extrusion lens combining UV-stabilized acrylic and elastic rubber for superior sealing and clarity. Rollable lens allows for unbroken light and continuous runs in lengths up to 48 ft.
- Meets AAMA 2604 performance standards for architectural powder coatings, ensuring long-term color retention, gloss stability, and resistance to chalking in exterior environments.
- Durability tested for corrosion, humidity, and impact, providing reliable protection and aesthetics for demanding outdoor applications.
- Impact resistance rated IK09 for rugged environments.
- Minimalistic 2.6" aperture
- Dimensions: 3.5" H x 2.8" W
- Individual fixture lengths and continuous runs available
- Integral Driver and Remote Driver options.
- Standard Black, White, Dark Bronze and Silver Anodized powder coat finish with custom powder coat finishes available.
- Proudly crafted in Huntington Beach, CA - USA
- One-piece heavy gauge 6063 extruded aluminum housing.
- Specify Batwing, Diffused, Grazing, Wall Wash, or Asymmetric optics.
- (SLO) packages available. Please see the (SLO) configurator at Extantlighting.com.
- Voltage Universal 120/277V (VU) and 347V (V3) available. Consult factory for driver options when 347V is specified.
- Lumen Maintenance (L70) 70% of initial light output = Reported > 60,000 hours | Calculated > 200,000 hours (L90) 90% of initial light output = Reported > 60,000 hours | Calculated > 200,000 hours.
- 5-year limited warranty. 5-year limited warranty covers LED, driver and fixture.



ORDERING INFORMATION

Project: _____

Date: _____ Type: _____

Product Family	Driver Location	General Distribution	Length	Direct Lumen Output	Optics
AVL-2W Avalon Wet Location Wall Mount Luminaire with 2" Aperture	TD Integral Driver RD Remote Driver	DT Direct	____ Specify Length in 6" inch increments* * 2" feet Minimum	DLL Low (193 lm/ft and 7w/ft)* DML Medium (482 lm/ft and 18w/ft)* DHL High (964 lm/ft and 36w/ft)* SLO-XX Specified Lumen Output Available** *Delivered lumen output & consumed wattage based on "MEODF 35" (90 CRI - 3500K). See SLO Configurator for alternate outputs. **See SLO Configurator at ExtantLighting.com for appropriate "XX" output.	DF Diffusing BW Batwing AY Asymmetric

Color Temp	Voltage	Driver	Finish	Controls	Options A
27 2700K 30 3000K 35 3500K 40 4000K 50 5000K TW 2700K-6500K (90+ CRI) XX Optional Color Temp & CRI Available 90+ CRI is standard unless otherwise noted.	VU 120V-277V V3 347V	D 1% 0-10V* DN Non Dim DELV 1% Electronic Low Voltage Dimming (Reverse Phase dimming - 120V only) DTRIAC 1% Electronic Low Voltage Dimming (Forward Phase dimming - 120V only) DL1 Lutron Hi-Lume 1% EcoSystem DE 1% 0-10V DD1 1% DALI DDE 1% DALI DMX 1% DMX/RDM DTW 1% 0-10V Tunable White DT8 1% DALI Tunable White XX Other (Please Specify) *Dim to Off available. Please Specify "-OFF" next to driver option if required.	SA Powder Coated Silver Anodized WP Powder Coated Matte White BP Powder Coated Matte Black BZ Powder Coated Dark Bronze CC Custom RAL Powder Coat Color	BPC Button Photocell	EMC_* Emergency Circuit(s) *EMC: Specify quantity of emergency circuits per run.

Options B.	Mounting	Feed Location
MTC* Multiple Circuit(s) (Daylight, Occupancy, Zone Specific)	SW Surface Wall Mount	BF Back Feed EF End Feed



Specifications

CONSTRUCTION Heavy gauge 6063 extruded aluminum housing.

OPTICS Microstructure EdgeTech Optics™ (MEO™) utilizes high efficiency Microstructure Lenses and Light Guide Plates for high optical extraction and precise light management. Specify Narrow Distribution, Diffused (Lambertian), or Grazer Optics.

LIGHT OUTPUT (3) Standard lumen packages are available: Low (DLL), Medium (DML) and High (DHL). Specified Lumen Output (SLO) packages available. Please see the (SLO) configurator at ExtantLighting.com.

LEDS Latest generation of premium Nichia 3-step MacAdam Ellipse LED's available in (90+ CRI) 2700K, 3000K, 3500K, 4000K, and 5000K. Tunable White available. LED modules are easily accessible and replaceable.

VOLTAGE Universal 120/277V (VU) and 347V (V3) available. Consult factory for driver options when 347V is specified.

EMERGENCY BATTERY Factory provided low profile 6.5W emergency battery for UL924 required 90-minute run time.

FINISH Standard finishes include powder coated silver, matte white or matte black. White powder coat finish standard on all T-Grid trim options. Custom powder coated finishes available (RAL number matched).

CONTINUOUS ROWS Innovative Toolless Latch System ensures simple installation. Seamless continuous rows with no lens breaks, pixelation or hotspots up to 250 feet.

PATTERNS Custom shapes and inside/outside mitered corners available.

MOUNTING Perimeter Spackle Flange, Trim Flange, 15/16" or 9/16" Grid Lay-in, 15/16" or 9/16" Grid Tegular, Bolt Slot or Armstrong Interlude/USG Identitee.

APPROVALS UL and cUL Listed. Approved for Dry/Damp locations. IC Rated. Made in the USA. BABA compliant in most configurations. Chicago Plenum Approved. JA8 Approved.

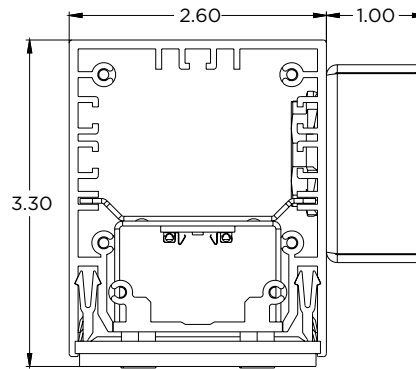
LUMEN MAINTENANCE (L70) 70% of initial light output = Reported > 60,000 hours | Calculated > 200,000 hours (L90) 90% of initial light output = Reported > 60,000 hours | Calculated > 200,000 hours.

LENS

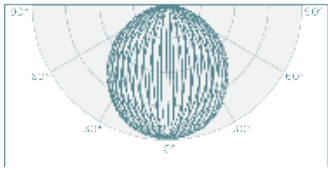
WARRANTY All Extant fixtures offered with a 5-year limited warranty which covers LED, driver and fixture. For further details, refer to General Warranty and Obligations at ExtantLighting.com.

PATENTS Extant Lighting's intellectual property is protected under Patent No. US 11,378,262 B2 and 12,007,101 B2 by the U.S. Patent Office.

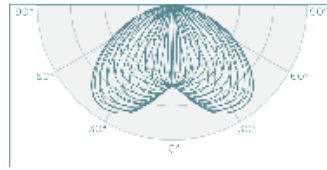
Dimensions



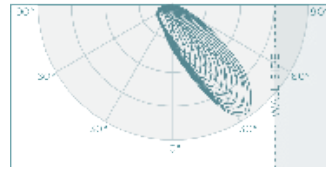
Optics



DF
LAMBERTIAN



BW
BATWING



AY
ASYMMETRIC

